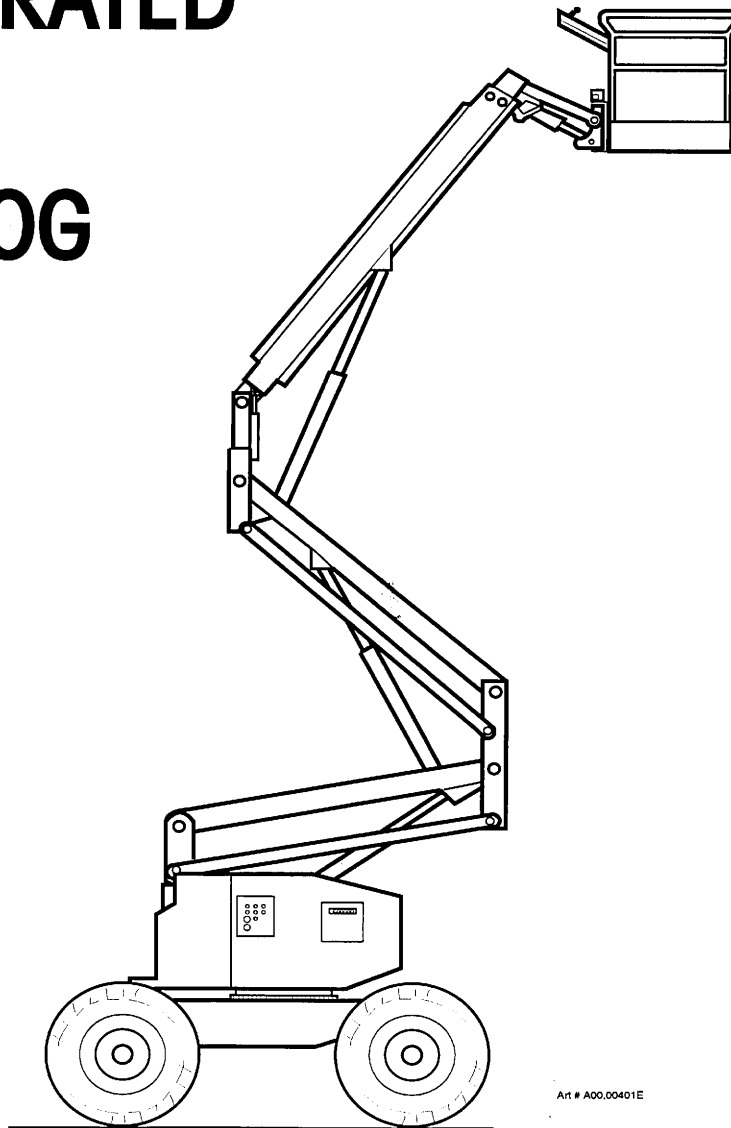


**CONSTRUCTOR**  
**MODEL AT 40C**  
S/N X 5000 and up

**ILLUSTRATED**  
**PARTS**  
**CATALOG**

FOR MACHINE  
SERIAL NUMBER

---



Art # A00.00401E

Part No. 89-444015 • Revision "B.16" dated Apr. 1996 •

# TABLE OF CONTENTS

## INTRODUCTION

## PRIMARY MACHINE COMPONENT GROUPS

### SECTION 1: UNDERCARRIAGE

01.09: UNDERCARRIAGE ASSEMBLY

### SECTION 2: SUPERSTRUCTURE

02.10: SUPERSTRUCTURE ASSEMBLY

### SECTION 3: BOOM

03.06: BOOM ASSEMBLY (TYPE 1)

03.12: BOOM ASSEMBLY (TYPE 2)

### SECTION 4: PLATFORM

04.06: PLATFORM ASSEMBLY

04.48: PLATFORM SENSOR RING ASSEMBLY

### SECTION 6: VALVE BANK

06.07: GROUND/ PLATFORM VALVE BANK ASS'Y. (TYPE 1)

06.14: GROUND VALVE BANK ASS'Y. (TYPE 2)

06.15: PLATFORM VALVE BANK ASS'Y. (TYPE 2)

### SECTION 7: GROUND CONTROL BOX

07.12: GROUND CONTROL BOX

### SECTION 8: ENGINE ASSEMBLY

08.07: ENGINE ASSEMBLY, ONAN GAS/ DUAL FUEL

08.08: ENGINE ASSEMBLY, PERKINS DIESEL

### SECTION 9: PLATFORM CONTROL CONSOLE

09.11: PLATFORM CONTROL CONSOLE (TYPE 1)

09.17: PLATFORM CONTROL CONSOLE (TYPE 2)

### SECTION 11: CYLINDERS

11.03: STEER CYLINDER

11.04: TELESCOPE CYLINDER

11.05: LIFT CYLINDER

11.06: MASTER CYLINDER

11.07: SLAVE CYLINDER

11.09: ACTUATOR CYLINDER

11.10: ACTUATOR CYLINDER

11.11: STEER CYLINDER

## **TABLE OF CONTENTS (CONTINUED)**

### **SECTION 12: PUMPS**

- 12.01: PUMP ASSEMBLY, HYDRAULIC
- 12.02: HYDRAULIC PUMP
- 12.03: EMERGENCY PUMP

### **SECTION 14: TOWING EQUIPMENT**

- 14.05: TOW PACKAGE

### **SECTION 17: TRANSFER CASE**

- 17.01: TRANSFER CASE
- 17.49: DRIVE LINE DISCONNECT (OPTION)

### **SECTION 18: WHEEL BRAKE**

- 18.02: CALIPER FRONT DISC BRAKE
- 18.04: REAR DRUM BRAKE

### **SECTION 19: AXLE**

- 19.04: REAR AXLE ASSEMBLY
- 19.06: FRONT AXLE ASSEMBLY

### **SECTION 20: DRIVE SHAFT**

- 20.01: FRONT DRIVE SHAFT (TYPE 1)
- 20.02: REAR DRIVE SHAFT (W/O TOW PKG., TYPE 1)
- 20.04: REAR DRIVE SHAFT (W/O TOW PKG., TYPE 2)
- 20.08: FRONT DRIVE SHAFT (TYPE 2)
- 20.10: REAR DRIVE SHAFT (W/ TOW PKG.)
- 20.11: FRONT DRIVE SHAFT (TYPE 3)

### **SECTION 21: ACTUATOR**

- 21.02: ROTARY ACTUATOR

### **SECTION 22: BRAKE/ GEAR REDUCER**

- 22.03: SPEED REDUCER W/ BRAKE
- 22.04: SPEED REDUCER W/ BRAKE
- 22.05: SPEED REDUCER W/ BRAKE
- 22.06: SPEED REDUCER W/ BRAKE

### **SECTION 23: MANIFOLD**

- 23.04: HYDRAULIC MANIFOLD
- 23.48: HYDRAULIC MANIFOLD ASSEMBLY

### **SECTION 24: HYDRAULIC TANK**

- 24.01: HYDRAULIC TANK ASSEMBLY

## **TABLE OF CONTENTS (CONTINUED)**

### **SECTION 26: MOTORS**

**26.02: HYDRAULIC MOTOR**

**26.03: HYDRAULIC MOTOR**

### **SECTION 28: SWING REDUCER**

**28.02: SWING REDUCER**

### **SECTION 29: CONTROLLER**

**29.04: DRIVE CONTROLLER HANDLE**

**29.05: DRIVE CONTROLLER VALVE**

### **SECTION 30: MISCELLANEOUS ELECTRICAL**

**30.04: GENERATOR PACKAGE (ONAN T-260 OR P-224)**

### **SECTION 99: DECALS**

**99.01: DECALS**

## INTRODUCTION

This Illustrated Parts Catalog is designed to help you identify and order the correct replacement parts for use on SIMON AT40C CONSTRUCTOR SELF-PROPELLED AERIAL WORK PLATFORMS with Serial Numbers 5000 and up. All parts represented here are manufactured and supplied in accordance with Simon Aerials quality standards. We recommend that you use GENUINE SIMON AERIALS PARTS to insure maximum SAFETY and PERFORMANCE.

Prices for all parts listed in this Catalog can be found in a separate Spare Parts Price List. Please contact Simon Aerials Parts Department for the latest edition of the Spare Parts Price List.

## HOW TO USE THIS CATALOG

The Cover Page indicates the specific model or models covered by this Parts Catalog.

The "Table of Contents" pages list the specific sections, pages and page titles that are relevant to this model, and contained in this Catalog. Only those pages that refer specifically to AT40C CONSTRUCTOR machines S/N 5000 and above are included in this Catalog.

The "Primary Machine Component Groups" page illustrates the four major assemblies, along with their "Section" number.

The Parts Catalog is divided into "Sections", numbered from 1 through 99. Each section contains the individual parts that make up a major component, assembly or item. The first four sections (1 through 4) contain the major assemblies, or "Primary Machine Component Groups". Sections that follow contain sub-assemblies or components of these "major" assemblies.

If a part number is followed by a plate number in the "SEE SECT." column, refer to the plate indicated for a further breakdown of components for that part number. Items with indented descriptions are components of the non-indented item directly above.

When selecting parts for a specific machine, be sure to verify the machine model number, and serial number or date code (found on the data plate). When ordering parts, always give:

1. Model and Serial Number
2. Item Part Number and Description
3. Order Quantity

If a part number is not listed for a selected item, please provide this additional information:

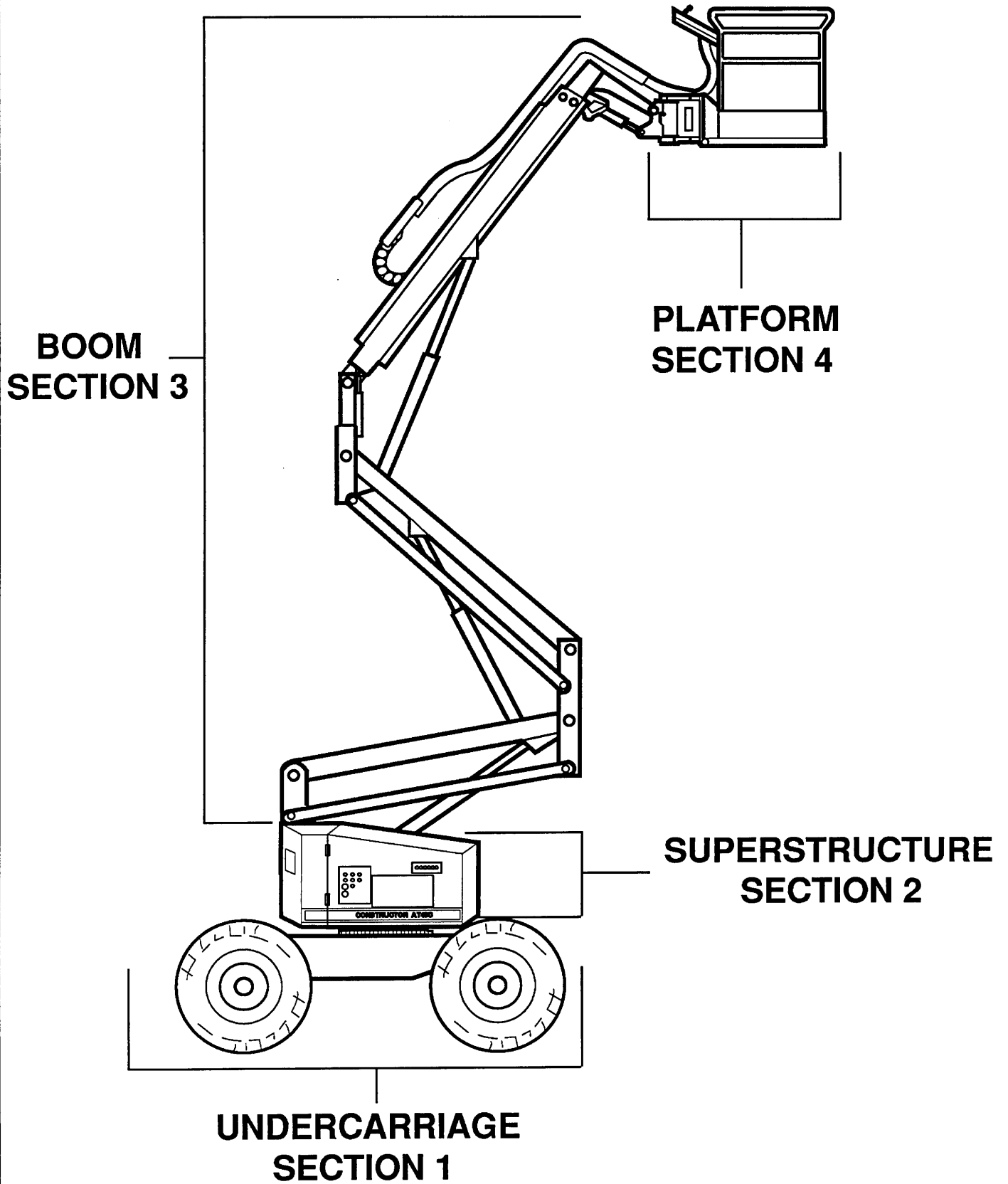
4. Parts Plate number, Item Number and Description of the desired item, OR
5. Part Number of the next assembly (Parent Part), if the desired item is not listed.

Some assembled items, such as hydraulic cylinders, may have been supplied by more than one source. While the assemblies may be able to be used interchangeably, FOR SAFETY'S SAKE, do not mix components or repair kits. Please confirm the make of the assembly on the unit before ordering or installing replacement parts.

Left and right-hand parts should be determined as though you are standing at the Platform Control Console, with the Platform in stowed position (over the non-steering axle). All dimensions are in inches unless otherwise specified.

SIMON AERIALS INC. reserves the right to change, improve, modify or expand features of its equipment. Therefore, specifications, models or equipment are subject to change without notice, and without incurring obligation to change, improve, modify or expand features of previously delivered units.

All SIMON AERIALS INC. manuals are periodically updated to reflect changes that occur in the equipment. Please contact Simon Aerials Technical Support Department with any questions you may have regarding your particular machine, or the availability of more recent manuals.



<b>TITLE</b> PRIMARY MACHINE COMPONENT GROUPS		
<b>SIMON AERIALS INC.</b>	<b>PART NO.</b>	<b>PLATE NO.</b>

## PARTS LIST

ITEM	PART NO	SEE SECTION	DESCRIPTION	QTY.
1	01-086600	26.02	MOTOR, HYDRAULIC (Nameplate marked "M46-4019")	1
	01-088600	26.03	MOTOR, HYDRAULIC (Nameplate marked "M46-4107")	1
2	01-082100		VALVE, CROSS PORT RELIEF (valve has one cartridge)	1
	01-202200		VALVE, CROSS PORT RELIEF (valve has two cartridges)	1
3	06-040100		CONNECTOR, STRAIGHT THREAD (8 F50X-S)	4
4	02-017700		TRANSFER CASE (Type 1, for S/N 5000 thru 5355)	1
			with <b>U-bolt</b> front output yoke	
	02-029800		TRANSFER CASE (Type 2, for S/N 5356 and up)	1
			with <b>flanged</b> front output yoke	
5	02-019900	19.06	AXLE ASSEMBLY, FRONT	1
	07-004156		CAP SCREW, HEX HEAD (3/4"-10 x 3-3/4", Grade 8)	4
	07-061022		WASHER, FLAT (3/4"-SAE)	4
6	02-022800	19.04	AXLE ASSEMBLY, REAR (with "Detroit Locker" differential)	1
	07-004156		CAP SCREW, HEX HEAD (3/4"-10 x 3-3/4", Grade 8)	4
	07-061022		WASHER, FLAT (3/4"-SAE)	4
7	07-090152		CAP SCREW, HEX HEAD (7/16"-14 x 1-1/2", Grade 12)	16
8	07-090174		WASHER, HARDENED (special)	16
9	02-021700	20.02	DRIVE SHAFT, REAR (Type 1, for units	
			<b>without "Detroit Locker" axle, and without Tow Package.)</b>	
			Shaft mounts to axle with <b>U-bolts</b> .	
	02-026000	20.04	DRIVE SHAFT, REAR (Type 2, for units	1
			<b>with "Detroit Locker" axle, but without Tow Package.)</b>	
			Shaft mounts to axle with <b>clamps and bolts</b> .	
	213 6450	20.10	DRIVE SHAFT, REAR (for units <b>with</b> Tow Package)	1
10	02-021800	20.01	DRIVE SHAFT, FRONT (Type 1, for S/N 5000 thru 5355)	1
			Shaft mounts to Transfer Case with <b>U-bolts</b> .	
	02-030100	20.08	DRIVE SHAFT, FRONT (Type 2, for S/N 5356 thru 5472)	1
			With <b>one</b> slip joint, and <b>flange</b> mount to Transfer Case.	
	352 1150	20.11	DRIVE SHAFT, FRONT (Type 3, for S/N 5473 and up)	1
			With <b>two</b> slip joints, and <b>flange</b> mount to Transfer Case)	
11		22	SPEED REDUCER, WITH BRAKE (for S/N 5000 thru 5219)	1
	02-028900	22.04	SPEED REDUCER, WITH BRAKE (for S/N 5220 and up)	1
12	04-027400	11.03	CYLINDER, STEER (Type 1)	1
	04-030200	11.11	CYLINDER, STEER (Type 2)	1
13	08-063800		SWING BEARING (Unthreaded type, for S/N 5000 thru 5087)	1
	07-004113		CAP SCREW, HEX HEAD (9/16"-12 x 3.0", Grade 8)	41
	08-065000		SWING BEARING (Threaded type, for S/N 5088 and up)	1
	07-004139		CAP SCREW, HEX HEAD (5/8"-11 x 5.0", Grade 8)	18
	07-004129		CAP SCREW, HEX HEAD (5/8"-11 x 2.0", Grade 8)	23
	07-061021		WASHER, FLAT, 5/8"-SAE	41

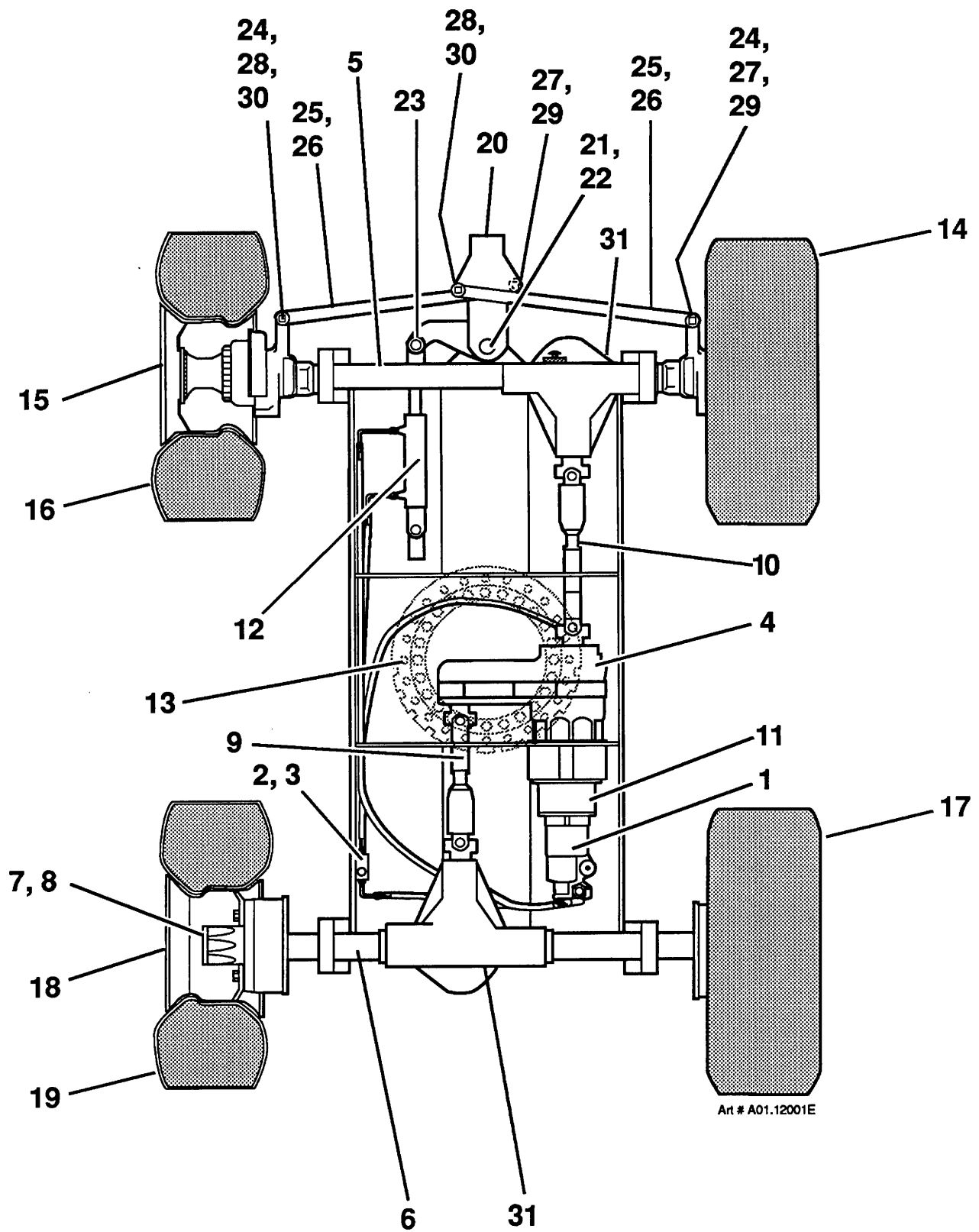
TITLE UNDERCARRIAGE ASSEMBLY, AT40C, S/N 5000 AND UP (PLATE 1 OF 2)

PLATE NO. 01.09

**SIMON AERIALS INC.**

REV. 15 JAN., 1992

PART NO. A-A3515170



Art # A01.12001E

TITLE UNDERCARRIAGE ASSEMBLY, AT40C, S/N 5000 AND UP (PLATE 1 OF 2)

**SIMON AERIALS INC.**

REV. 15 JAN., 1992

PART NO. **A-A3515170**

PLATE NO. **01.09**



## PARTS LIST

ITEM	PART NO	SEE SECTION	DESCRIPTION	QTY.
14	3513990		WHEEL AND TIRE ASSEMBLY, STEER AND DRIVE Air filled	2
	3515290		Liquid filled	2
	3514790		Foam filled	2
15	02-021900		WHEEL, STEER AND DRIVE	1
16	02-021000		TIRE, 15 x 38.5 - 16.5 LT TUBELESS	1
17	3514000		WHEEL AND TIRE ASSEMBLY, DRIVE Air filled	2
	3515280		Liquid filled	2
	3514780		Foam filled	2
18	02-021100		WHEEL, DRIVE	1
19	02-021000		TIRE, 15 x 38.5 - 16.5 LT TUBELESS	1
20	2128130		ARM, CENTER STEER	1
21	2128140		PIN, CENTER STEER ARM	1
22	08-002000		BUSHING, CENTER STEER ARM PIN	2
23	2129150		PIN, STEER CYLINDER ROD END	1
24	2129630		BOLT, PINION ARM (Tapered)	2
25	3514070		TIE ROD ASSEMBLY	2
26	2129130		TIE ROD	2
27	08-007100		END, TIE ROD (R.H. thread)	1
28	08-060600		END, TIE ROD (L.H. thread)	1
29	07-047122		NUT, JAM (3/4"-16, R.H. thread, Grade 5)	1
30	07-048122		NUT, JAM (3/4"-16, L.H. thread, Grade 5)	1
31	02-022229		SEALANT, RTV (for Axle center cover) (Ford # D6AZ 19562-ba or equivalent)	A.R.

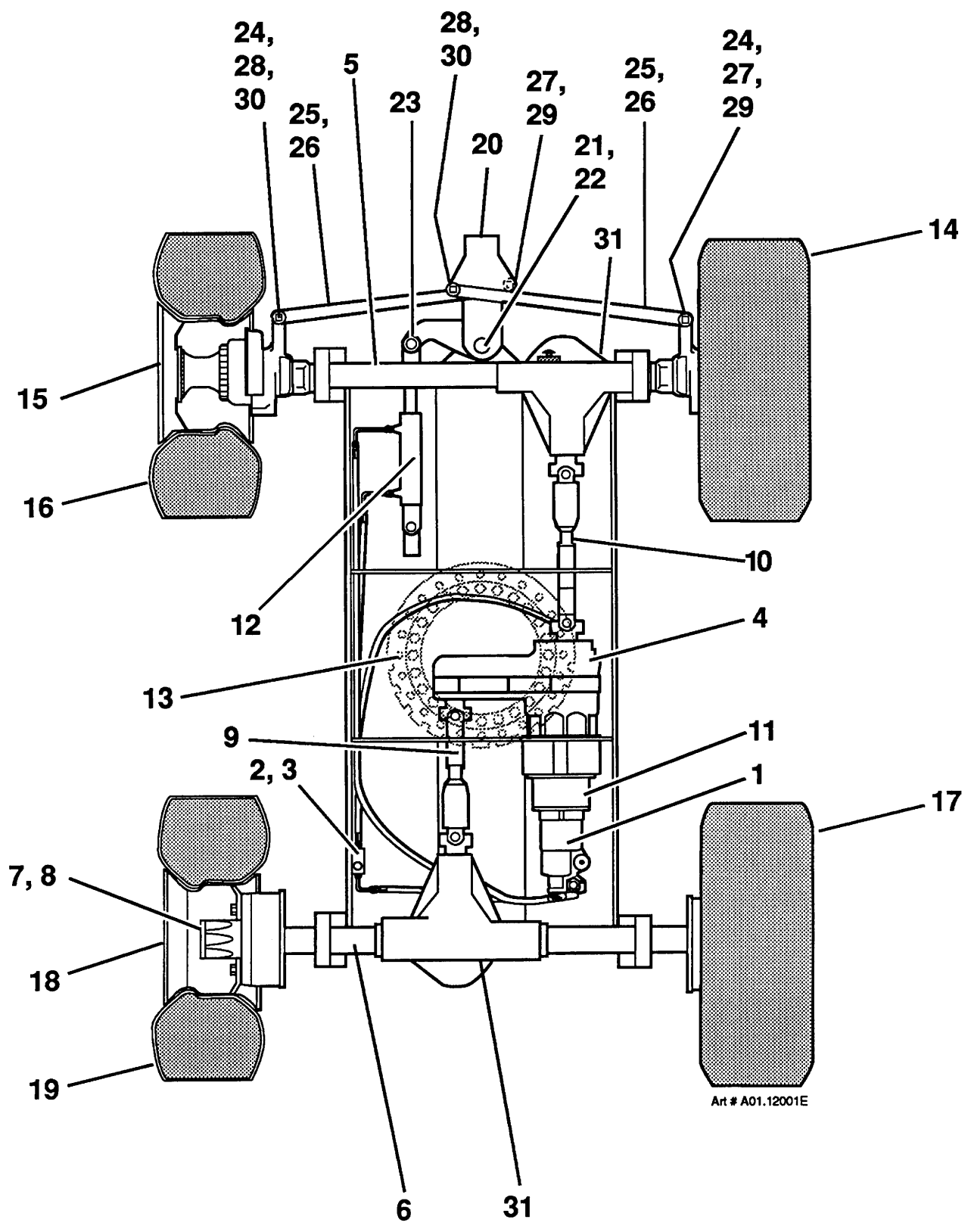
TITLE UNDERCARRIAGE ASSEMBLY, AT40C, S/N 5000 AND UP (PLATE 2 OF 2)

PLATE NO. 01.09

**SIMON AERIALS INC.**

REV. 15 JAN., 1992

PART NO. A-A3515170



Art # A01.12001E

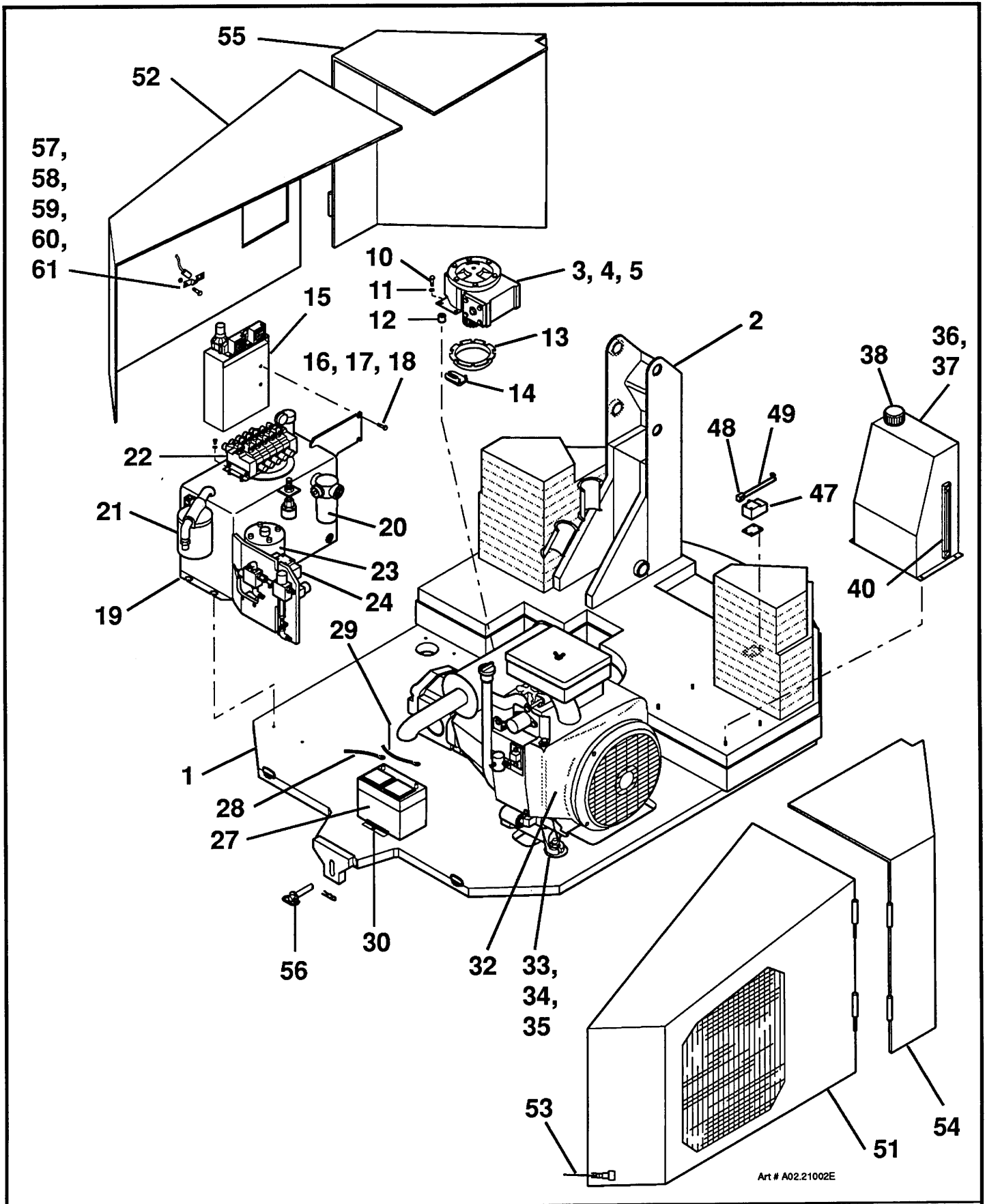
TITLE UNDERCARRIAGE ASSEMBLY, AT40C, S/N 5000 AND UP (PLATE 2 OF 2)

<b>SIMON AERIALS INC.</b> REV. 15 JAN., 1992	<b>PART NO. A-A3515170</b>	<b>PLATE NO. 01.09</b>
---	----------------------------	------------------------

## PARTS LIST

ITEM	PART NO	SEE SECTION	DESCRIPTION	QTY.
1	2173460		SUPERSTRUCTURE WELDMENT	1
2	2140130		BASE POST WELDMENT (reference only. Not serviced)	1
3	3515520		SPEED REDUCER ASSEMBLY	1
4	01-087500		MOTOR, HYDRAULIC	1
5	02-023500	28.02	SPEED REDUCER	1
6	06-048500		RUN TEE, MALE "O"-RING (6 R50X-S)	2
7	06-057500		NUT, TUBE (6 BTX-S) (option)	2
	06-051500		90° ELBOW, SWIVEL NUT (6 C6X-S) (option)	2
8	06-060100		REDUCER, TUBE END (6-4 TRTX-S)	2
9	06-090800		REDUCER/ EXPANDER (10-6 F50G5-S)	2
10	07-003089		CAP SCREW, HEX HEAD (1/2"-13 x 2", Grade 5)	2
11	07-065018		WASHER, HELICAL LOCK (1/2")	2
12	2145930		SPACER, SPEED REDUCER MOUNTING	4
13	02-023600		RING, ECCENTRIC (below speed reducer assy.)	1
14	2187700		KEEPER PLATE, ECCENTRIC	1
15	3515510	07.12	BOX ASSEMBLY, GROUND CONTROL	1
16	07-003003		SCREW, HEX HEAD (1/4"-20 x 3/4", Grade 5)	3
17	07-065014		WASHER, LOCK (1/4")	3
18	07-062014		WASHER, FLAT (1/4")	3
19	3515540	24.01	TANK ASSEMBLY, HYDRAULIC	1
20	01-080502		ELEMENT, RETURN LINE FILTER	1
21	01-082001		ELEMENT, SUCTION LINE FILTER	1
22	01-086300	06.07	VALVE BANK ASS'Y., GROUND Type 1 (for S/N 5000 thru 5502, and 5509 thru 5515).	1
			<b>Note:</b> On a "Type 1" assy., the brackets mounting the valve bank to the bosses on the tank are "L" shaped.	1
	01-098600	06.14	Type 2 (for S/N 5503 thru 5508, and for S/N 5516 and up <b>except</b> as shown as "Type 3").	1
			<b>Note:</b> On a "Type 2" assy., the brackets are flat.	1
	01-086300	06.07	Type 3 (for S/N CBA 05782 thru CBA 05784).	1
			<b>Note:</b> On a "Type 3" assy., the brackets are flat.	1
23	01-027200	12.03	PUMP, EMERGENCY HYDRAULIC	1
24	01-086800	23.04	MANIFOLD ASSEMBLY, HYDRAULIC	1
25	03-464800		HARNESS, BRAKE DELAY WIRE (not shown)	1
26	03-061800		DIODE (not shown)	2

TITLE SUPERSTRUCTURE ASSEMBLY, AT40C (PLATE 1 OF 3)



Art # A02.21002E

TITLE		SUPERSTRUCTURE ASSEMBLY, AT40C (PLATE 1 OF 3)	
SIMON AERIALS INC.		REV. 27 AUG., 1993	
PART NO.		PLATE NO.	02.10

## PARTS LIST

ITEM	PART NO	SEE SECTION	DESCRIPTION	QTY.
27	03-010001		BATTERY (700 Amp) [replaces 03-408400 (550 A) for Diesel & Wisconsin gas, and 03-423200 (505 A) for Onan & Kubota gas engines.]	1
28	03-458500		CABLE, BATTERY (red, 58" long) (Onan or Deutz 511)	1
	03-465700		CABLE, BATTERY (red, 78" long) (Isuzu, Kubota or Perkins)	1
	03-074100		CABLE, BATTERY (red, 49" long) (Wisconsin engine)	1
29	03-488600		CABLE, BATTERY (red, 30" long) (Wisconsin or Deutz 1011)	1
30	03-070100		CABLE, BATTERY (black, 12" long)	1
	03-064300		HOLD DOWN, BATTERY (for 700 Amp battery)	1
	03-415500		HOLD DOWN, BATTERY (for 550 Amp battery)	1
	2018274		ROD, THREADED	2
	07-060016		WASHER, FLAT (3/8" SAE) (for 700 or 550 Amp battery)	2
	07-040016		NUT, HEX (3/8"-16, Grade 5) (for 700 or 550 Amp battery)	2
	03-423300		CLAMP, BATTERY HOLD DOWN (for 505 Amp battery)	2
	07-062015		WASHER, FLAT (5/16") (for 505 Amp battery)	2
	07-050015		NUT, LOCK (5/16"-18, Grade 5) (for 505 Amp battery)	2
31	10-112900		PROTECTOR, BATTERY (1/8" x 7" x 11", neoprene)	1
32	3521500		ENGINE ASSEMBLY, GAS (Kubota WG 750B, 24 HP)	1
	3516280	08.07	ENGINE ASSEMBLY, GAS (Onan P224, 24 HP)	1
	3522460		ENGINE ASSEMBLY, GAS (Wisconsin W41770, 35 HP)	1
	3516310	08.07	ENGINE ASSEMBLY, DUAL FUEL (Onan P224, 24 HP)	1
	3522470		ENGINE ASSEMBLY, DUAL FUEL (Wisc. W41770, 35 HP)	1
	3521750		ENGINE ASSEMBLY, DIESEL (Isuzu 3KC1, 23 HP)	1
	3516320	08.08	ENGINE ASSEMBLY, DIESEL (Perkins 103.10, 24 HP)	1
	3516770		ENGINE ASSEMBLY, DIESEL (Deutz F2L511, 35 HP)	1
	3522850		ENGINE ASSEMBLY, DIESEL (Deutz F2L1011, 28 HP)	1
33			BOLT	4
34			WASHER, FLAT	4
35			NUT, LOCK	4

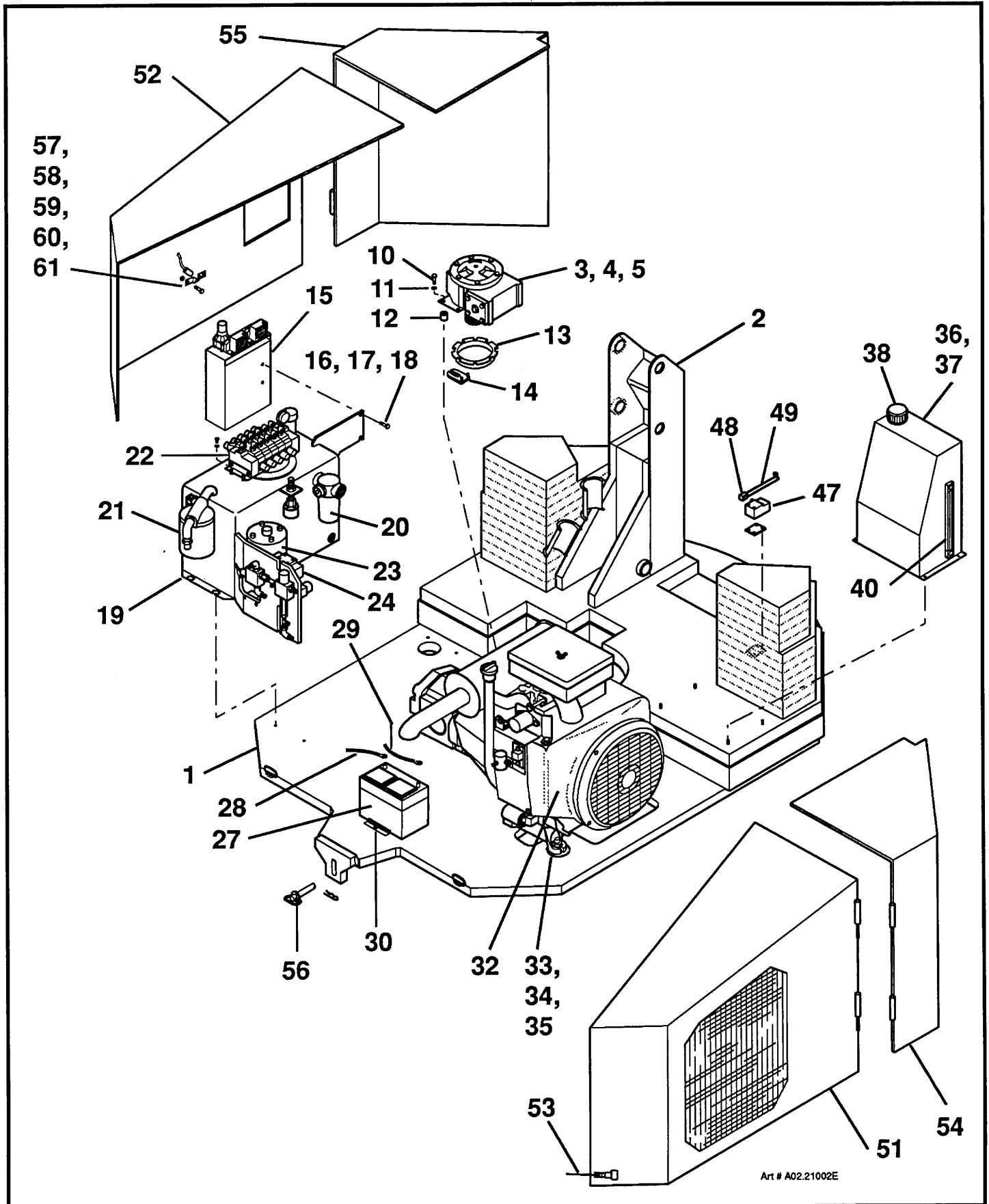
**TITLE** SUPERSTRUCTURE ASSEMBLY, AT40C (PLATE 2 OF 3)

**PLATE NO.** 02.10

**SIMON AERIALS INC.**

REV. 27 AUG., 1993

**PART NO.**



Art # A02.21002E

TITLE SUPERSTRUCTURE ASSEMBLY, AT40C (PLATE 2 OF 3)

SIMON AERIALS INC.

REV. 27 AUG., 1993

PART NO.

PLATE NO.

02.10

## PARTS LIST

ITEM	PART NO	SEE SECTION	DESCRIPTION	QTY.
36	3515550		TANK ASSEMBLY, FUEL (with gas or dual fuel engine)	1
	3516550		TANK ASSEMBLY, FUEL (with Diesel engine)	1
37			TANK WELDMENT, FUEL	
	2165340		with Deutz F2L511 or Wisconsin W41770 engines	1
	2140430		all other engine applications (with vented cap)	1
	2196820		all other engine applications (with screw-on cap)	1
38	10-001900		CAP, FUEL (Vented)	1
	No Part #		CAP, FUEL (Screw-on, per UL 558 spec)	1
39	01-032800		VALVE, SHUT OFF (1/4" NPT)	1
40	10-033800		GAUGE, SIGHT (14")	1
41	06-076900		REDUCER/ EXPANDER, PIPE THREAD (long) (4 FF-S)	1
42	06-079800		HOLLOW HEX PLUG, PIPE THREAD (4 HHP-S)	1
43	06-080200		90° ELBOW, STRAIGHT TO PIPE THREAD (4 CD-S)	A.R.
			(1) with gas or dual fuel engine, (2) with Diesel engine	
44	11-050401		FITTING, HOSE	
			(Brass, barbed, 1/4" I.D. hose, 1/4" male NPT thread)	1
45	11-050200		BUSHING, REDUCER (Dsl. only) (NPT, 1/4" M to 1/8" F)	1
46	11-050405		FITTING, HOSE (Diesel only)	
			(Brass, barbed, 1/8" I.D. hose, 1/8" male NPT thread)	1
47	03-021400		SWITCH, LIMIT	1
48	03-026200		LEVER BLOCK, LIMIT SWITCH	1
49			ARM, LIMIT SWITCH	
	2010906		for all except Deutz F2L1011 engine (must be bent)	1
	2185790		for use with Deutz F2L1011 engine	1
50	07-008355		CAP SCREW, SOCKET HEAD (#10-24 x 1-1/2", Grade 8)	2
51			DOOR ASSEMBLY (right)	
	2153570		for all except Isuzu 3KC1 engine	1
	2167920		for use with Isuzu 3KC1 engine	1
52	2139780		DOOR ASSEMBLY (left)	1
53	10-099400		LATCH, DRAW (with latching rod)	2
54	2139810		COVER, FRONT (right)	1
55	2139840		COVER, FRONT (left)	1
56	07-080008		PIN, HITCH (3/4" x 4", includes cotter pin)	1
57	03-038800		LAMP, CONTROL PANEL (hooded) (option)	2
58	03-418600		BULB, PANEL LAMP (#68)	2
59	2306730		BRACKET, PANEL LAMP (mounts to inside of sheet metal, above electrical controls and valve bank)	2
60	07-090156		CAP SCREW, BUTTON HEAD (1/4"-20 x 5/8", stn. stl.)	4
61	07-050014		NUT, HEX LOCK (1/4"-20, Grade 5)	4

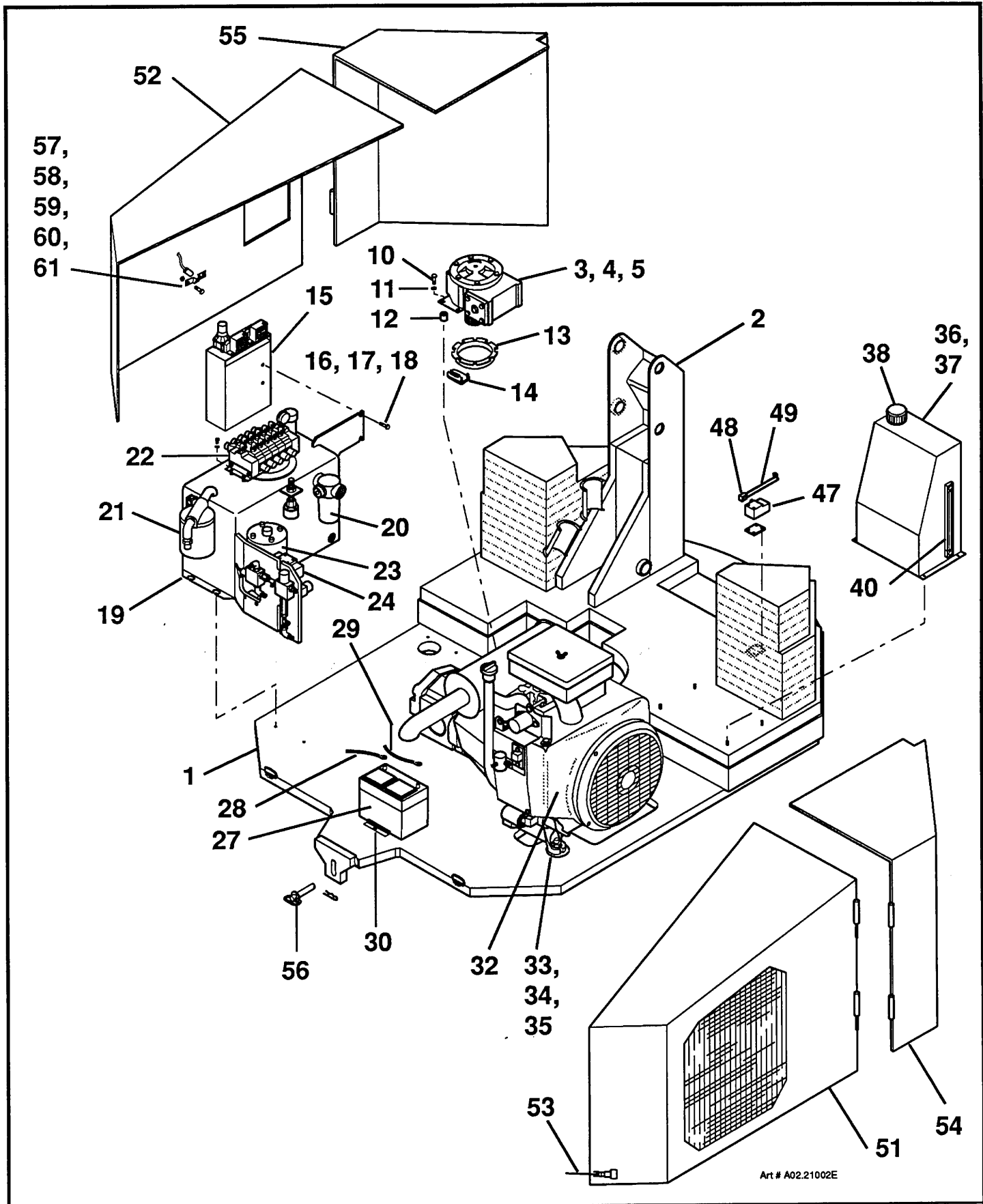
TITLE SUPERSTRUCTURE ASSEMBLY, AT40C (PLATE 3 OF 3)

PLATE NO. 02.10

**SIMON AERIALS INC.**

REV. 27 AUG., 1993

PART NO.



Art # A02.21002E

TITLE		SUPERSTRUCTURE ASSEMBLY, AT40C (PLATE 3 OF 3)	
SIMON AERIALS INC.		PART NO.	PLATE NO. 02.10
REV. 27 AUG., 1993			



## PARTS LIST

ITEM	PART NO	SEE SECTION	DESCRIPTION	QTY.
1	2139270		BOOM WELDMENT, LOWER (includes pin-lock collar)	1
2	2138440		ARM ASS'Y., PARALLEL (incl. bushings and grease fittings)	1
3	08-064000		BUSHING, BRONZE (2" I.D. x 2-3/8" O.D. x 2")	8
4	2138930		PIN, LOWER BOOM PIVOT (2" x 10-15/16") (lower end)	2
5	2138940		PIN, LOWER BOOM PIVOT (2" x 10-7/16") (upper end)	2
6	2138900		COLLAR, LOCK (2") (not shown. On base and mid posts)	4
7	07-003096		SCREW, HEX HEAD (1/2"-13 x 3-3/4", Grade 5)	4
8	07-058400		NUT, GRIP (1/2"-13)	4
9	08-041100		RING, RETAINING (2")	8
10	04-028400	11.05	CYLINDER, LOWER BOOM LIFT (Type 1) (2.50" bore)	1
	04-030600	11.05	CYLINDER, LOWER BOOM LIFT (Type 2) (2.50" bore)	1
<p><b>Note:</b> When installing a "Type 2" Lift Cylinder on the lower boom of a unit powered by a Deutz F2L 511 or Wisconsin W41770 engine, a Spacer Nut, item 10A, must be used.</p>				
	04-032400	11.05	CYLINDER, LOWER BOOM LIFT (Type 3) (2.50" bore)	1
10A	2157230		NUT, SPACER (for certain applications. See note at item 10.)	1
11	2138970		PIN, LIFT CYLINDER (1-1/4" x 8-7/8") (base end)	1
12	2139010		PIN, LIFT CYLINDER (1-1/4" x 5-7/16") (rod end)	1
13	2138750		COLLAR, LOCK (1-1/4") (on base post and lower boom)	2
14	07-003052		SCREW, HEX HEAD (3/8"-16 x 2-3/4", Grade 5)	2
15	07-050016		NUT, STOP (3/8"-16)	2
16	08-040700		RING, RETAINING (1-1/4")	3
17	08-050000		FITTING, GREASE (1/8", Straight)	13
18	08-051300		FITTING, GREASE (1/8", 90°)	20
19	2140140		MID POST WELDMENT (includes pin lock collars)	1
20	03-021400		SWITCH, LIMIT	1
21	03-026200		LEVER-BLOCK, LIMIT SWITCH	1
22	2010906		ARM, LIMIT SWITCH	1
23	07-008354		SCREW, SOCKET HEAD (#10-24 x 1-1/4")	2
24	10-109200		TRIM, "QUICKEDGE"	A.R.
<p><b>Note:</b> This boom assembly used only on Model AT40 C with Serial Numbers from X 5000 through X 5547, and Serial Numbers X 5553 through X 5554.</p>				
<p>For boom assembly on Model AT40 C with Serial Numbers from X 5548 through X 5552, and Serial Numbers X 5555 and above, see plate 03.12.</p>				

TITLE: BOOM ASSEMBLY, AT40 C (PLATE 1 OF 4 . . . LOWER BOOM)

PLATE NO.

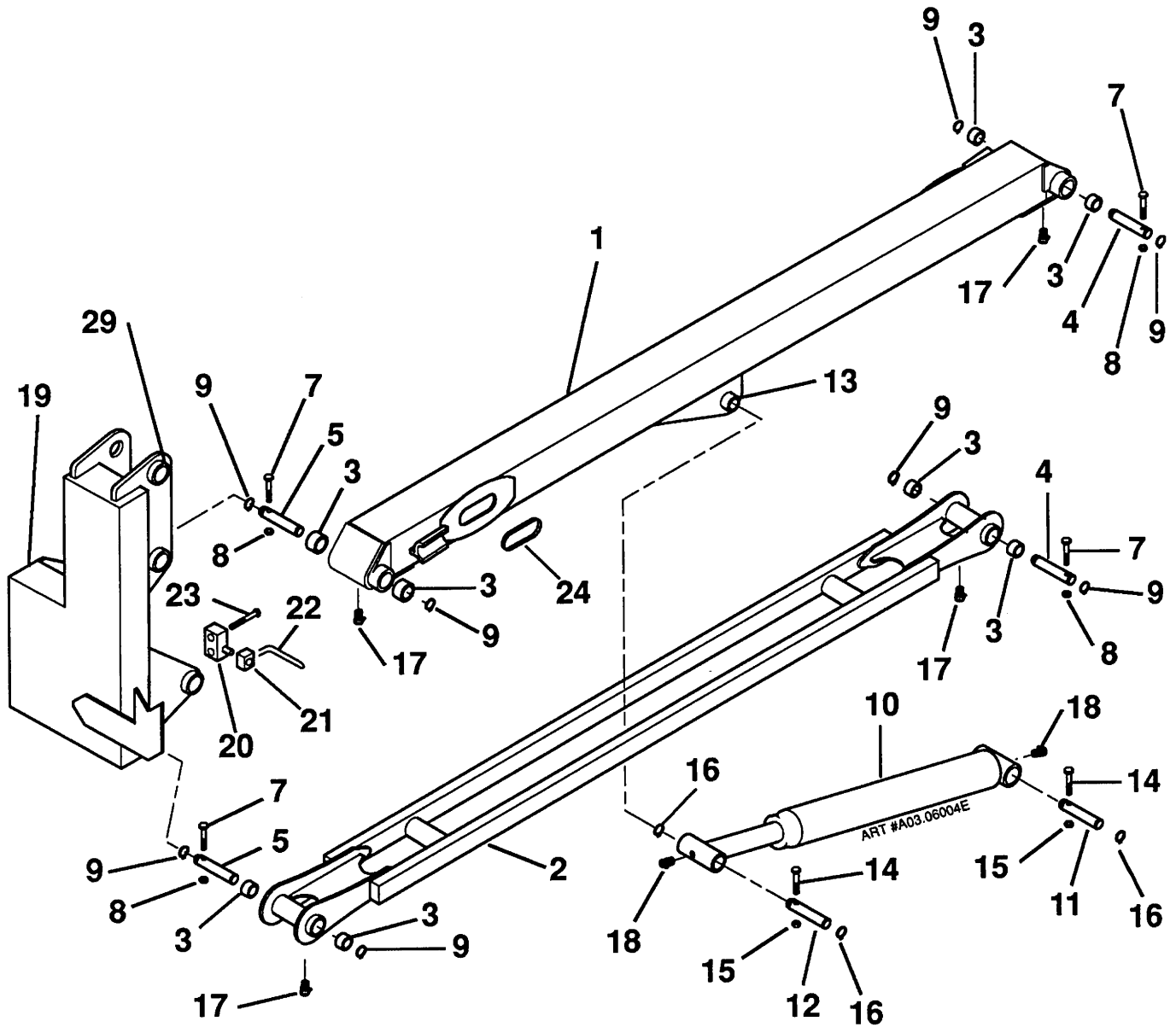
03.06

**SIMON AERIALS INC.**

REV. 10/26/90

PART NO.

A-C3515190



TITLE BOOM ASSEMBLY, AT40 C (PLATE 1 OF 4 . . . LOWER BOOM)

**SIMON AERIALS INC.**

REV. 10/26/90

PART NO. A-C3515190

PLATE NO. 03.06

## PARTS LIST

ITEM	PART NO	SEE SECTION	DESCRIPTION	QTY.
25	2139280		BOOM WELDMENT, MIDDLE (includes pin lock collar)	1
26	2138440		ARM ASS'Y., PARALLEL (incl. bushings and grease fittings)	1
27	08-064000		BUSHING, BRONZE (2" I.D. x 2-3/8" O.D. x 2")	8
28	2138940		PIN, MIDDLE BOOM PIVOT (2" x 10-7/16")	4
29	2138900		COLLAR, LOCK (2") (on middle and upper posts)	4
30	07-003096		SCREW, HEX HEAD (1/2"-13 x 3-3/4", Grade 5)	4
31	07-058400		NUT, GRIP (1/2"-13)	4
32	08-041100		RING, RETAINING (2")	8
33	04-028400	11.05	CYLINDER, MIDDLE BOOM LIFT (Type 1) (2.50" bore)	1
	04-030600	11.05	CYLINDER, MIDDLE BOOM LIFT (Type 2) (2.50" bore)	1
	04-032400	11.05	CYLINDER, MIDDLE BOOM LIFT (Type 3) (2.50" bore)	1
34	2157380		PIN, LIFT CYLINDER (1-1/4" x 8-3/8") (base end)	1
35	2139010		PIN, LIFT CYLINDER (1-1/4" x 5-7/16") (rod end)	1
36	2138900		COLLAR, LOCK (1-1/4") (on middle post and boom)	2
37	07-003052		SCREW, HEX HEAD (3/8"-16 x 2-3/4", Grade 5)	2
38	07-050016		NUT, STOP (3/8"-16)	2
39	08-040700		RING, RETAINING (1-1/4")	4
40	2139590		UPPER POST WELDMENT (includes pin lock collars)	1

**Note:** This boom assembly used only on Model AT40 C with Serial Numbers from **X 5000 through X 5547**, and Serial Numbers **X 5553 through X 5554**.

For boom assembly on Model AT40 C with Serial Numbers from **X 5548 through X 5552**, and Serial Numbers **X 5555 and above**, see plate 03.12.

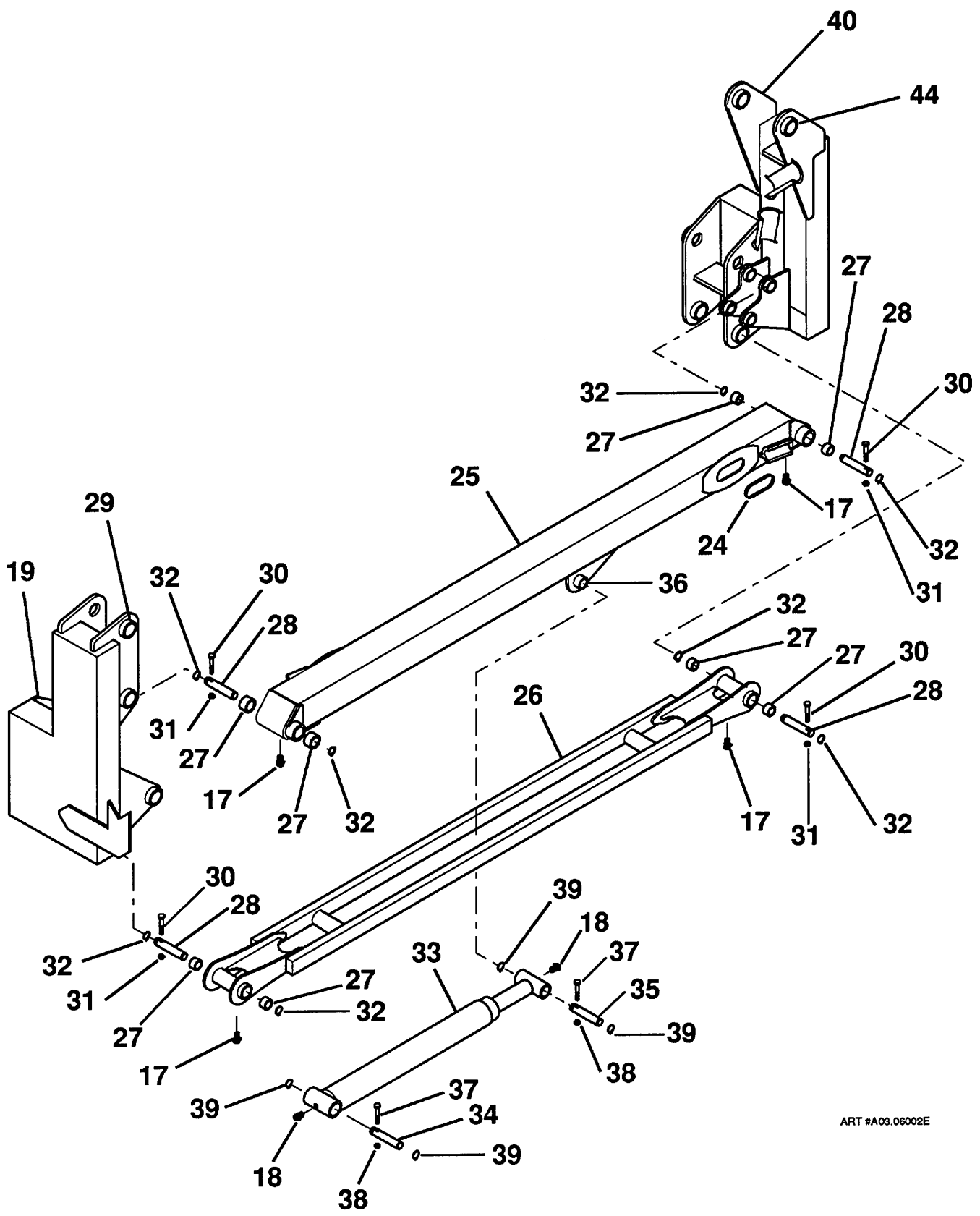
TITLE **BOOM ASSEMBLY, AT40 C (PLATE 2 OF 4 . . . MID BOOM)**

PLATE NO. **03.06**

**SIMON AERIALS INC.**

REV. 10/26/90

PART NO. **A-C3515190**



ART #A03.06002E

TITLE		BOOM ASSEMBLY, AT40 C (PLATE 2 OF 4 . . . MID BOOM)	
SIMON AERIALS INC.		REV. 10/26/90	PART NO. A-C3515190
			PLATE NO. 03.06

## PARTS LIST

ITEM	PART NO	SEE SECTION	DESCRIPTION	QTY.
41	2138540		BOOM WELDMENT, UPPER BASE (with Catrac)	1
42	2138920		PIN, UPPER BOOM PIVOT (2" x 11-13/16")	1
43	08-064000		BUSHING, BRONZE (2" I.D., 2-3/8" O.D., 2" long)	2
44	2138900		COLLAR, LOCK (2") (on upper post)	1
45	07-003096		SCREW, HEX HEAD (1/2"-13 x 3-3/4", Grade 5)	1
46	07-058400		NUT, GRIP (1/2"-13)	1
47	08-041100		RING, RETAINING (2")	2
48	04-030100	11.05	CYLINDER, UPPER BOOM LIFT (Type 1) (2.50" bore)	1
	04-030600	11.05	CYLINDER, UPPER BOOM LIFT (Type 2) (2.50" bore)	1
49	2139000		PIN, LIFT CYLINDER (1-1/4" x 6-13/16") (base end)	1
50	2139010		PIN, LIFT CYLINDER (1-1/4" x 5-7/16") (rod end)	1
51	2138750		COLLAR, LOCK (1-1/4") (on upper post and base boom)	2
52	07-003052		SCREW, HEX HEAD (3/8"-16 x 2-3/4", Grade 5)	2
53	07-050016		NUT, GRIP (3/8"-16)	2
54	08-040700		RING, RETAINING (1-1/4")	4
55	2138630		BOOM WELDMENT, TIP	1
56	2138640		ANCHOR WELDMENT, MOVING	1
57	07-003087		SCREW, HEX HEAD (1/2"-13 x 1-1/2", Grade 5)	4
58	07-062018		WASHER, FLAT (1/2" SAE)	4
59	07-050018		NUT, STOP (1/2"-13)	4
60	See Plate . .	11.04	CYLINDER, TELESCOPE (2.50" bore)	1
61	2138960		PIN, TELESCOPE CYLINDER (1-1/4" x 9-3/8") (base end)	1
62	2139020		PIN, TELESCOPE CYLINDER (1-1/4" x 4-7/8") (rod end)	1
63	2138750		COLLAR, LOCK (1-1/4") (on base boom and tip boom)	2
64	07-003052		SCREW, HEX HEAD (3/8"-16 x 2-3/4", Grade 5)	2
65	07-050016		NUT, STOP (3/8"-16)	2
66	08-040700		RING, RETAINING (1-1/4")	4
67	08-063500		CARRIER, HOSE (metal track, 19 link, 5.7" radius)	1
68	07-017046		SCREW, BUTTON HEAD (3/8"-16 x 1-1/4", Grade 5)	8
69	07-062016		WASHER, FLAT (3/8" SAE)	8
70	07-050016		NUT, STOP (3/8"-16)	8
			<b>Note:</b> This boom assembly used only on Model AT40 C with Serial Numbers from <b>X 5000 through X 5547</b> , and Serial Numbers <b>X 5553 through X 5554</b> .	
			For boom assembly on Model AT40 C with Serial Numbers from <b>X 5548 through X 5552</b> , and Serial Numbers <b>X 5555 and above</b> , see plate 03.12.	

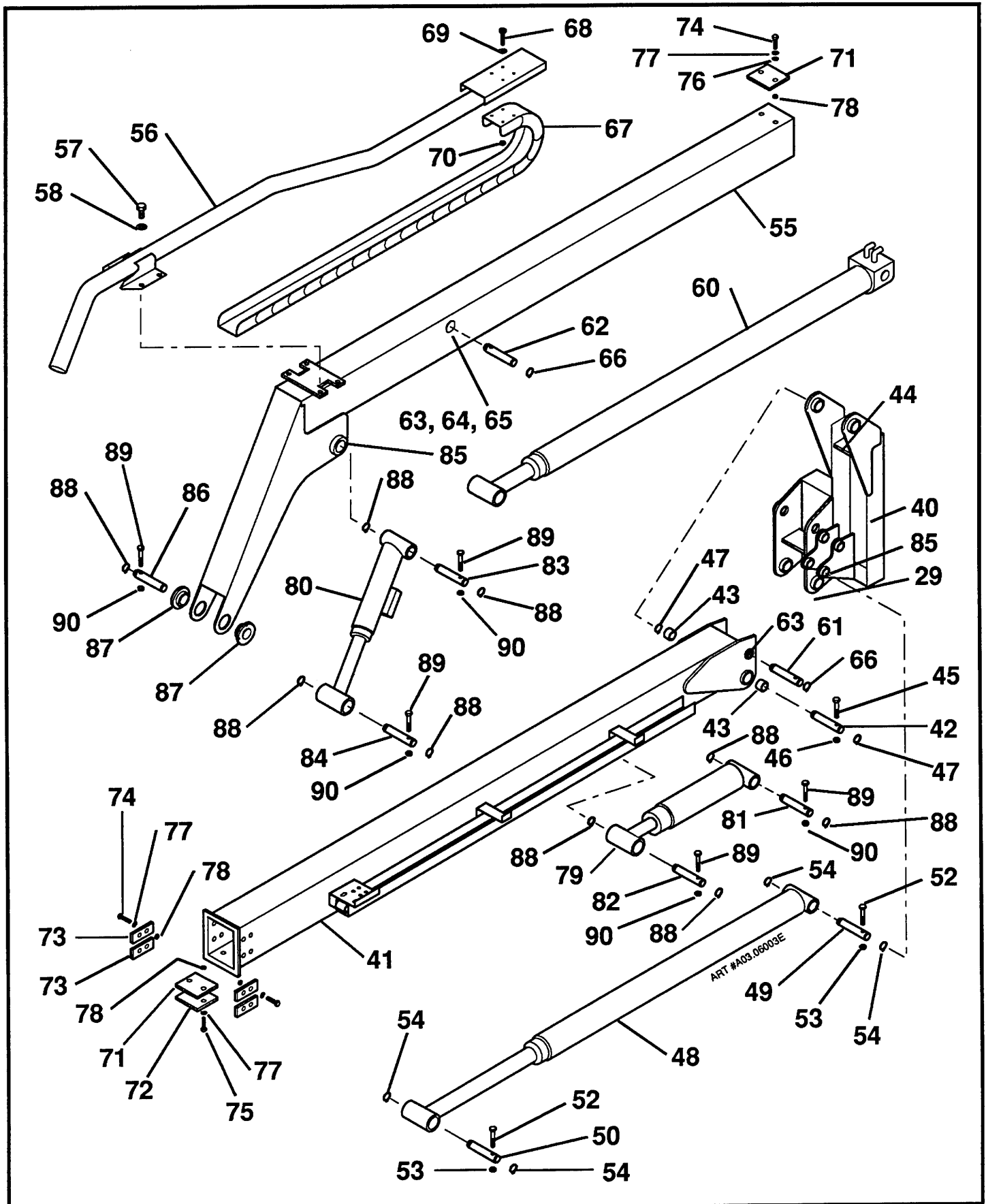
TITLE                      BOOM ASSEMBLY, AT40 C (PLATE 3 OF 4 . . . UPPER BOOM)

PLATE NO.    03.06

**SIMON AERIALS INC.**

REV. 10/26/90

PART NO.    A-C3515190



TITLE BOOM ASSEMBLY, AT40 C (PLATE 3 OF 4 . . . UPPER BOOM)

**SIMON AERIALS INC.**

REV. 10/26/90

PART NO. A-C3515190

PLATE NO. 03.06

## PARTS LIST

ITEM	PART NO	SEE SECTION	DESCRIPTION	QTY.
71	2068677		PAD, UPPER AND LOWER WEAR (6" x 6-5/8")	2
72	2138250		SPACER, LOWER WEAR PAD	1
73	2070357		PAD, SIDE WEAR	4
74	07-003084		SCREW, HEX HEAD (1/2"-13 x 7/8", Grade 5)	10
75	07-003086		SCREW, HEX HEAD (1/2"-13 x 1-1/4", Grade 5)	2
76	07-060018		WASHER, FLAT (1/2")	2
77	07-065018		WASHER, LOCK (1/2")	12
78	07-047018		NUT, JAM (1/2"-13)	12
79	See Plate . .	11.06	CYLINDER, MASTER LEVELING (2.50" bore)	1
80	See Plate . .	11.07	CYLINDER, SLAVE LEVELING (2.50" bore)	1
81	2139000		PIN, MASTER LEVEL CYL. (1-1/4" x 6-13/16") (base end)	1
82	2139010		PIN, MASTER LEVEL CYL. (1-1/4" x 5-7/16") (rod end)	1
83	2138990		PIN, SLAVE LEVEL CYL. (1-1/4" x 7-3/16") (base end)	1
84	2138980		PIN, SLAVE LEVEL CYL. (1-1/4" x 8") (rod end)	1
85	2138750		COLLAR, LOCK (1-1/4") (on upper post, base and tip booms)	3
86	2138950		PIN, PLATFORM PIVOT (1-1/4" x 9-5/8")	1
87	08-002200		BEARING, FLANGED (1-1/4" I.D., 1-1/2" O.D., 1-1/2" long)	2
88	08-040700		RING, RETAINING (1-1/4")	10
89	07-003052		SCREW, HEX HEAD (3/8"-16 x 2-3/4", Grade 5)	5
90	07-050016		NUT, STOP (3/8"-16)	5
<p><b>Note:</b> This boom assembly used only on Model AT40 C with Serial Numbers from <b>X 5000 through X 5547</b>, and Serial Numbers <b>X 5553 through X 5554</b>.</p> <p>For boom assembly on Model AT40 C with Serial Numbers from <b>X 5548 through X 5552</b>, and Serial Numbers <b>X 5555 and above</b>, see plate 03.12.</p>				

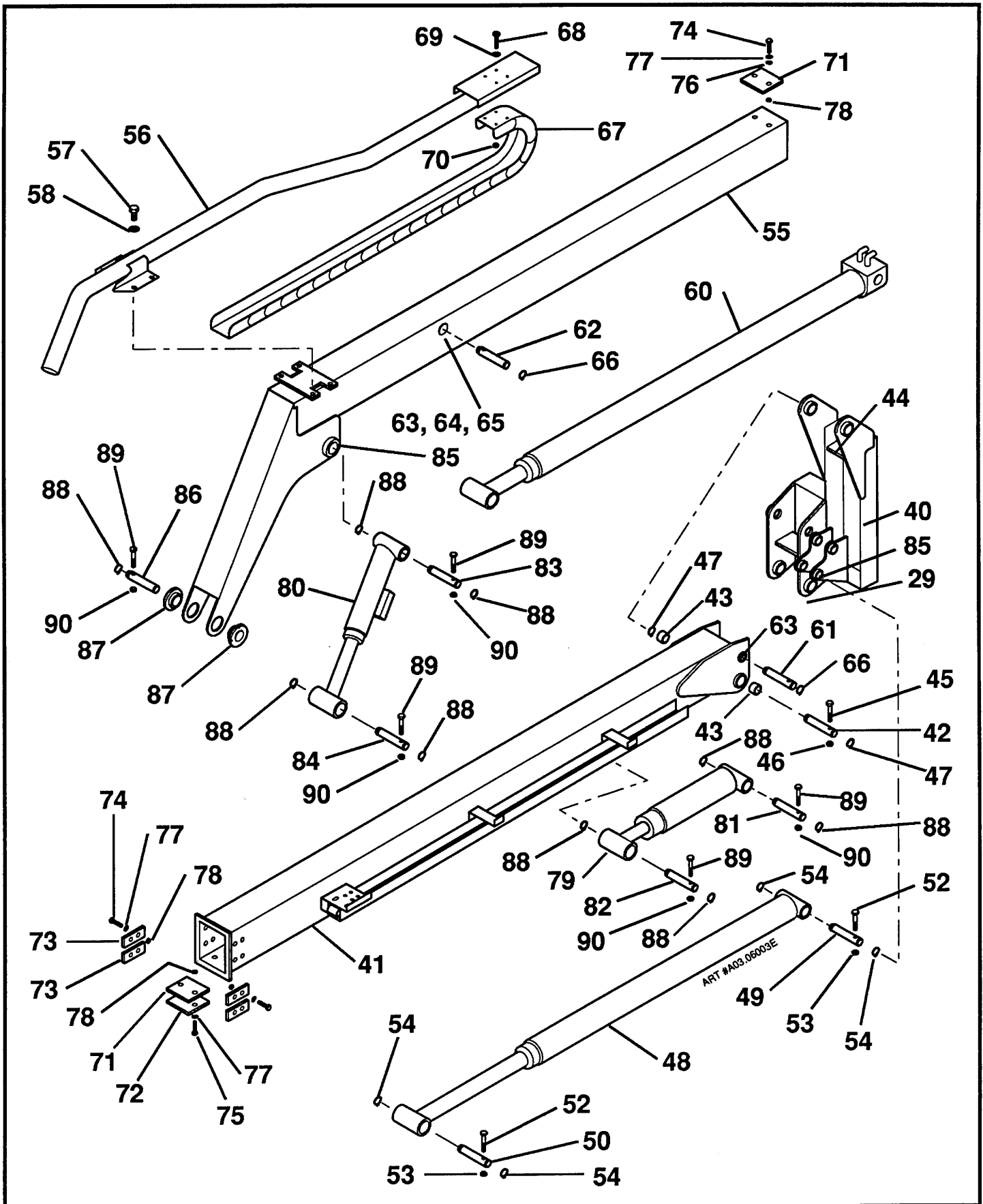
TITLE                      **BOOM ASSEMBLY, AT40 C (PLATE 4 OF 4 . . . UPPER BOOM)**

PLATE NO.    **03.06**

**SIMON AERIALS INC.**

REV. 19 FEB., 1992

PART NO.    **A-C3515190**



TITLE BOOM ASSEMBLY, AT40 C (PLATE 4 OF 4 . . . UPPER BOOM)

**SIMON AERIALS INC.**

REV. 10/26/90

PART NO. A-C3515190

PLATE NO. 03.06



## PARTS LIST

ITEM	PART NO	SEE SECTION	DESCRIPTION	QTY.
1	2139270		BOOM WELDMENT, LOWER (includes pin lock collar)	1
2	2138440		ARM ASS'Y., PARALLEL (incl. bushings and grease fittings)	1
3	08-064000		BUSHING, BRONZE (2" I.D. x 2-3/8" O.D. x 2")	8
4	2138930		PIN, LOWER BOOM PIVOT (2" x 10-15/16") (lower end)	2
5	2138940		PIN, LOWER BOOM PIVOT (2" x 10-7/16") (upper end)	2
6	2138900		COLLAR, LOCK (2") (not shown. On base and mid posts.)	4
7	07-003096		SCREW, HEX HEAD (1/2"-13 x 3-3/4", Grade 5)	4
8	07-058400		NUT, GRIP (1/2"-13)	4
9	08-041100		RING, RETAINING (2")	8
10	04-032400	11.05	CYLINDER, LOWER BOOM LIFT (2.50" bore)	1
11	2138970		PIN, LIFT CYLINDER (1-1/4" x 8-7/8") (base end)	1
12	2139010		PIN, LIFT CYLINDER (1-1/4" x 5-7/16") (rod end)	1
13	2138750		COLLAR, LOCK (1-1/4") (on base post and lower boom)	2
14	07-003052		SCREW, HEX HEAD (3/8"-16 x 2-3/4", Grade 5)	2
15	07-050016		NUT, STOP (3/8"-16)	2
16	08-040700		RING, RETAINING (1-1/4")	3
17	08-050000		FITTING, GREASE (1/8", Straight)	13
18	08-051300		FITTING, GREASE (1/8", 90°)	20
19	2156400		MID POST WELDMENT (includes pin lock collars)	1
20	03-021400		SWITCH, LIMIT	1
21	03-026200		LEVER BLOCK, LIMIT SWITCH	1
22	2010906		ARM, LIMIT SWITCH	1
23	07-008354		SCREW, SOCKET HEAD (#10-24 x 1-1/4")	2
24	10-109200		TRIM, "QUICKEDGE"	A.R.

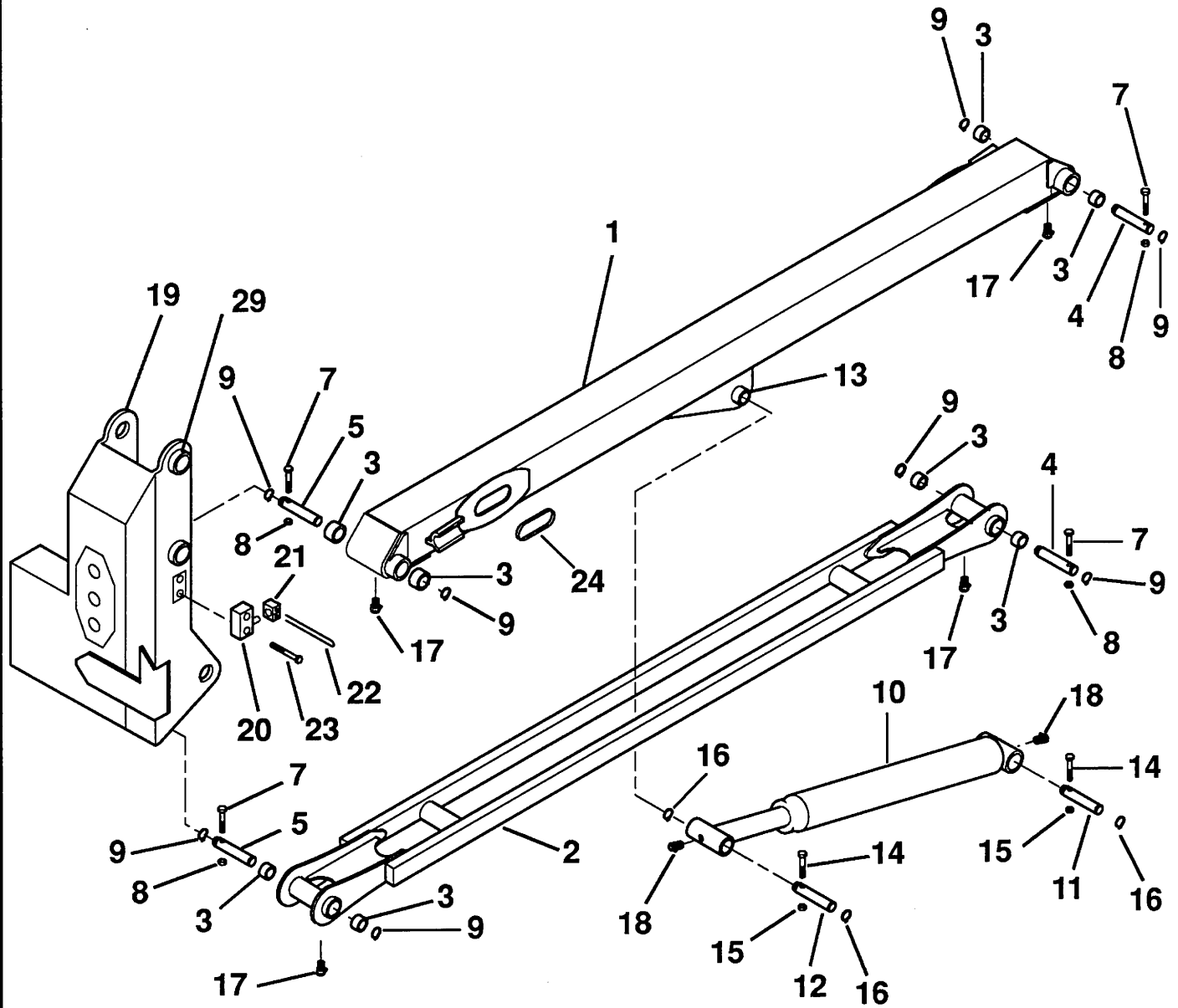
**TITLE** BOOM ASSEMBLY, 40 FOOT (12.2 M) (PLATE 1 OF 4 . . . LOWER BOOM)

**PLATE NO.** 03.12

**SIMON AERIALS INC.**

REV. 09/20/90

**PART NO.** A-C3518160



TITLE BOOM ASSEMBLY, 40 FOOT (12.2 M) (PLATE 1 OF 4 . . . LOWER BOOM)

**SIMON AERIALS INC.**

REV. 09/20/90

PART NO. A-C3518160

PLATE NO. 03.12

## PARTS LIST

ITEM	PART NO	SEE SECTION	DESCRIPTION	QTY.
25	2139280		BOOM WELDMENT, MIDDLE (includes pin lock collar)	1
26	2138440		ARM ASS'Y., PARALLEL (incl. bushings and grease fittings)	1
27	08-064000		BUSHING, BRONZE (2" I.D. x 2-3/8" O.D. x 2")	8
28	2138940		PIN, MIDDLE BOOM PIVOT (2" x 10-7/16")	4
29	2138900		COLLAR, LOCK (2") (on middle and upper posts)	4
30	07-003096		SCREW, HEX HEAD (1/2"-13 x 3-3/4", Grade 5)	4
31	07-058400		NUT, GRIP (1/2"-13)	4
32	08-041100		RING, RETAINING (2")	8
33	04-032400	11.05	CYLINDER, MIDDLE BOOM LIFT (2.50" bore)	1
34	2157380		PIN, LIFT CYLINDER (1-1/4" x 8-3/8") (base end)	1
35	2139010		PIN, LIFT CYLINDER (1-1/4" x 5-7/16") (rod end)	1
36	2138900		COLLAR, LOCK (1-1/4") (on middle post and boom)	2
37	07-003052		SCREW, HEX HEAD (3/8"-16 x 2-3/4", Grade 5)	2
38	07-050016		NUT, STOP (3/8"-16)	2
39	08-040700		RING, RETAINING (1-1/4")	4
40	2156410		UPPER POST WELDMENT (includes pin lock collars)	1

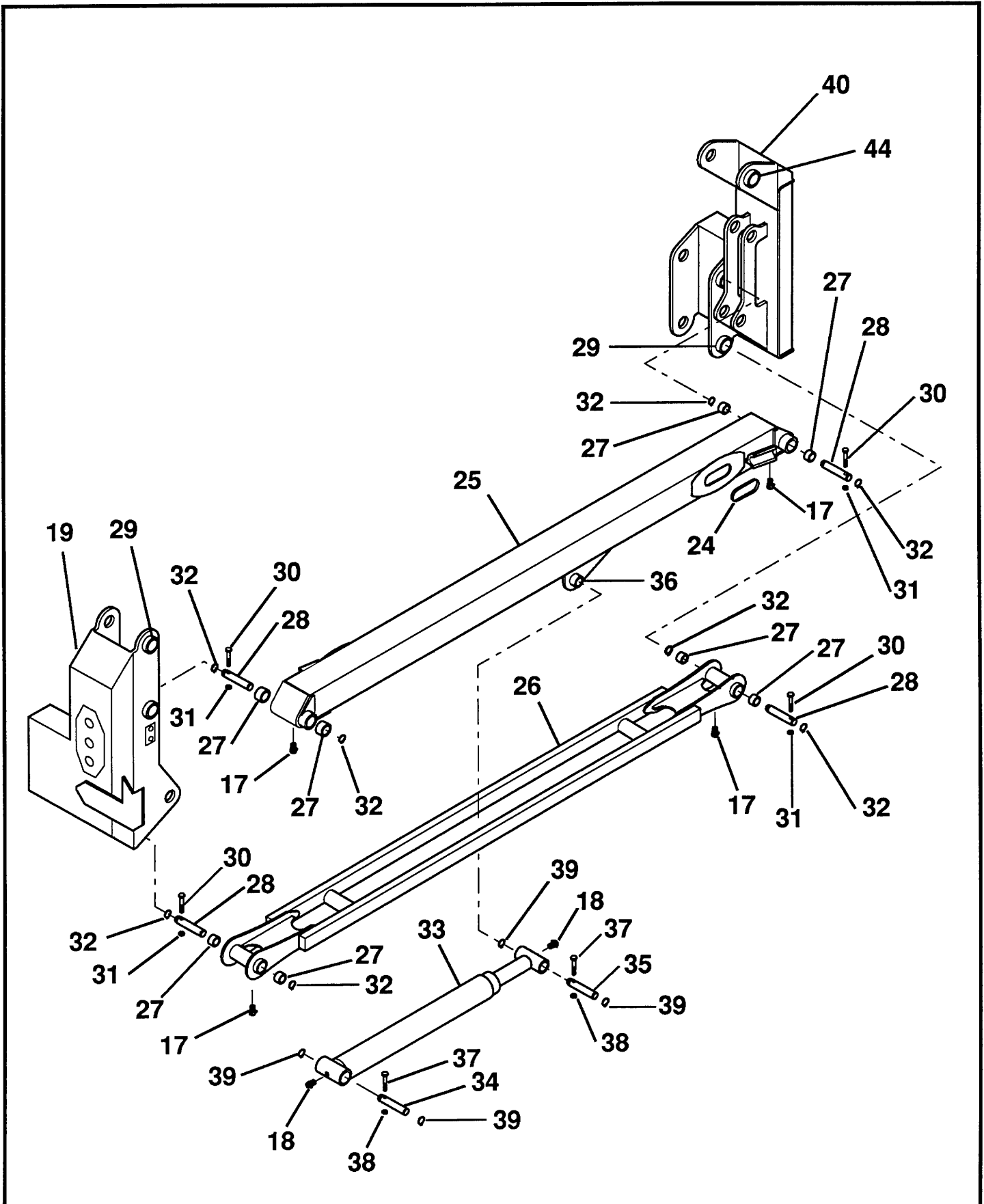
**TITLE** BOOM ASSEMBLY, 40 FOOT (12.2 M) (PLATE 2 OF 4 . . . MID BOOM)

**PLATE NO.** 03.12

**SIMON AERIALS INC.**

REV. 09/20/90

**PART NO.** A-C3518160



TITLE BOOM ASSEMBLY, 40 FOOT (12.2 M) (PLATE 2 OF 4 . . . MID BOOM)

**SIMON AERIALS INC.**

REV. 09/20/90

PART NO. A-C3518160

PLATE NO. 03.12

## PARTS LIST

ITEM	PART NO	SEE SECTION	DESCRIPTION	QTY.
41	2152080		BOOM WELDMENT, UPPER BASE (with Catrac)	1
42	2138920		PIN, UPPER BOOM PIVOT (2" x 11-13/16")	1
43	08-064000		BUSHING, BRONZE (2" I.D., 2-3/8" O.D., 2" long)	2
44	2138900		COLLAR, LOCK (2") (on upper post)	1
45	07-003096		SCREW, HEX HEAD (1/2"-13 x 3-3/4", Grade 5)	1
46	07-058400		NUT, GRIP (1/2"-13)	1
47	08-041100		RING, RETAINING (2")	2
48	04-033100	11.05	CYLINDER, UPPER BOOM LIFT (3" bore)	1
49	2153560		PIN, LIFT CYLINDER (1-1/2" x 6-7/8") (base end)	1
50	2144620		PIN, LIFT CYLINDER (1-1/2" x 5-15/32") (rod end)	1
51	2144330		COLLAR, LOCK (1-1/2") (on upper post and base boom)	2
52	07-003094		SCREW, HEX HEAD (1/2"-13 x 3-1/4", Grade 5)	2
53	07-058400		NUT, GRIP (1/2"-13)	2
54	08-040900		RING, RETAINING (1-1/2")	4
55	2138630		BOOM WELDMENT, TIP	1
56	2152060		ANCHOR WELDMENT, MOVING	1
57	07-003087		SCREW, HEX HEAD (1/2"-13 x 1-1/2", Grade 5)	4
58	07-062018		WASHER, FLAT (1/2" SAE)	4
59	07-050018	11.04	NUT, STOP (1/2"-13)	4
60	04-032500		CYLINDER, TELESCOPE (3.00" bore)	1
61	2138960		PIN, TELESCOPE CYLINDER (1-1/4" x 9-3/8") (base end)	1
62	2139020		PIN, TELESCOPE CYLINDER (1-1/4" x 4-7/8") (rod end)	1
63	2138750		COLLAR, LOCK (1-1/4") (on base boom and tip boom)	2
64	07-003052		SCREW, HEX HEAD (3/8"-16 x 2-3/4", Grade 5)	2
65	07-050016		NUT, STOP (3/8"-16)	2
66	08-040700		RING, RETAINING (1-1/4")	4
67	08-063500		CARRIER, HOSE (metal track, 19 link, 5.7" radius)	1
68	07-017046		SCREW, BUTTON HEAD (3/8"-16 x 1-1/4", Grade 5)	8
69	07-062016		WASHER, FLAT (3/8" SAE)	8
70	07-050016		NUT, STOP (3/8"-16)	8

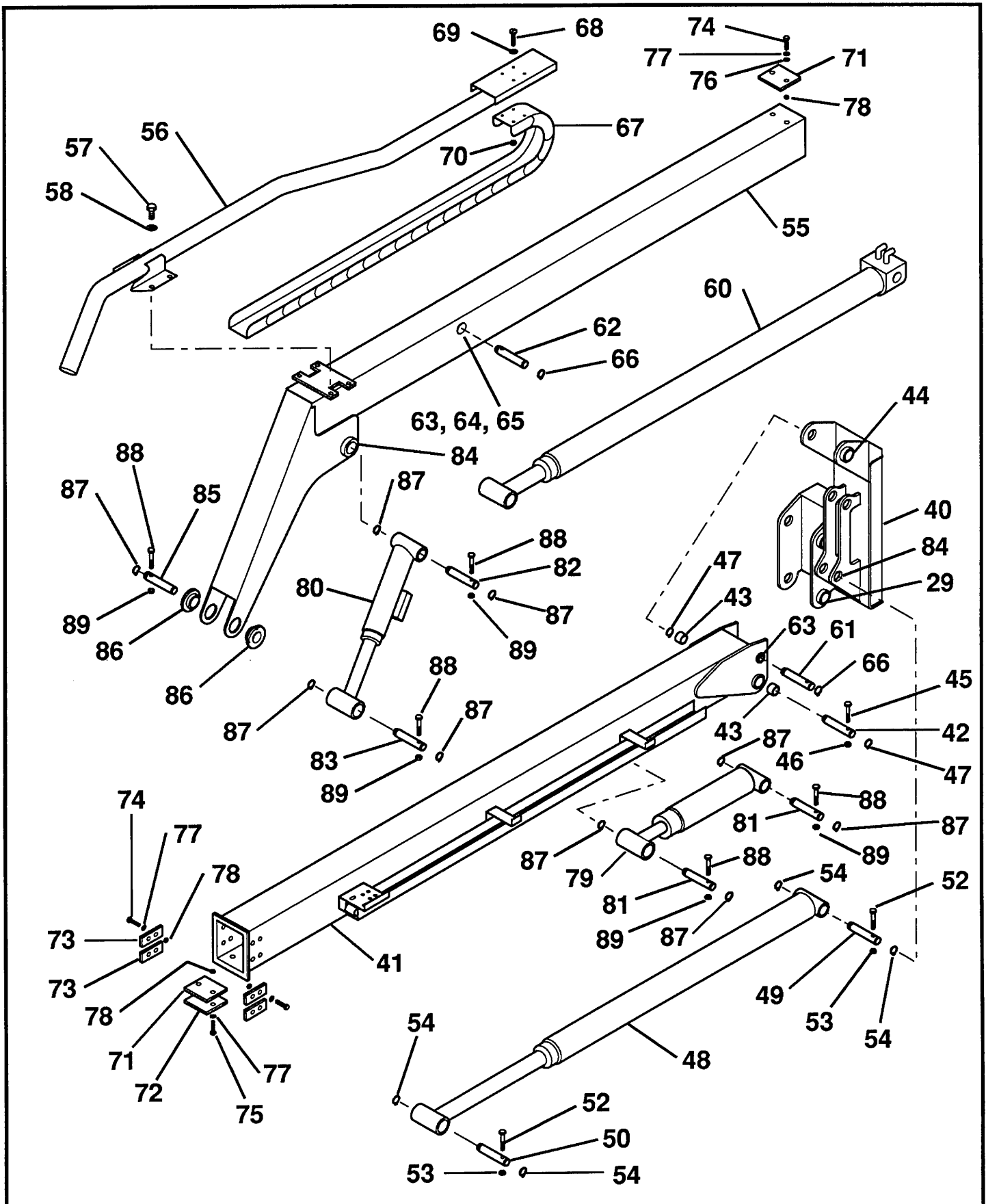
**TITLE** BOOM ASSEMBLY, 40 FOOT (12.2 M) (PLATE 3 OF 4 . . . UPPER BOOM)

**PLATE NO.** 03.12

**SIMON AERIALS INC.**

REV. 09/20/90

**PART NO.** A-C3518160



TITLE BOOM ASSEMBLY, 40 FOOT (12.2 M) (PLATE 3 OF 4 . . . UPPER BOOM)

**SIMON AERIALS INC.**

REV. 09/20/90

PART NO. A-C3518160

PLATE NO. 03.12

## PARTS LIST

ITEM	PART NO	SEE SECTION	DESCRIPTION	QTY.
71	2068677		PAD, UPPER AND LOWER WEAR (6" x 6-5/8")	2
72	2138250		SPACER, LOWER WEAR PAD	1
73	2070357		PAD, SIDE WEAR	4
74	07-003084		SCREW, HEX HEAD (1/2"-13 x 7/8", Grade 5)	10
75	07-003086		SCREW, HEX HEAD (1/2"-13 x 1-1/4", Grade 5)	2
76	07-060018		WASHER, FLAT (1/2")	2
77	07-065018		WASHER, LOCK (1/2")	12
78	07-047018		NUT, JAM (1/2"-13)	12
79	04-032600	11.06	CYLINDER, MASTER LEVELING (2.50" bore)	1
80	04-032700	11.07	CYLINDER, SLAVE LEVELING (2.50" bore)	1
81	2139000		PIN, MASTER LEVEL CYLINDER (1-1/4" x 6-13/16")	2
82	2138990		PIN, SLAVE LEVEL CYLINDER (1-1/4" x 7-3/16") (base end)	1
83	2138980		PIN, SLAVE LEVEL CYLINDER (1-1/4" x 8") (rod end)	1
84	2138750		COLLAR, LOCK (1-1/4") (on upper post, base and tip booms)	3
85	2138950		PIN, PLATFORM PIVOT (1-1/4" x 9-5/8")	1
86	08-002200		BEARING, FLANGED (1-1/4" I.D., 1-1/2" O.D., 1-1/2" long)	2
87	08-040700		RING, RETAINING (1-1/4")	10
88	07-003052		SCREW, HEX HEAD (3/8"-16 x 2-3/4", Grade 5)	5
89	07-050016		NUT, STOP (3/8"-16)	5

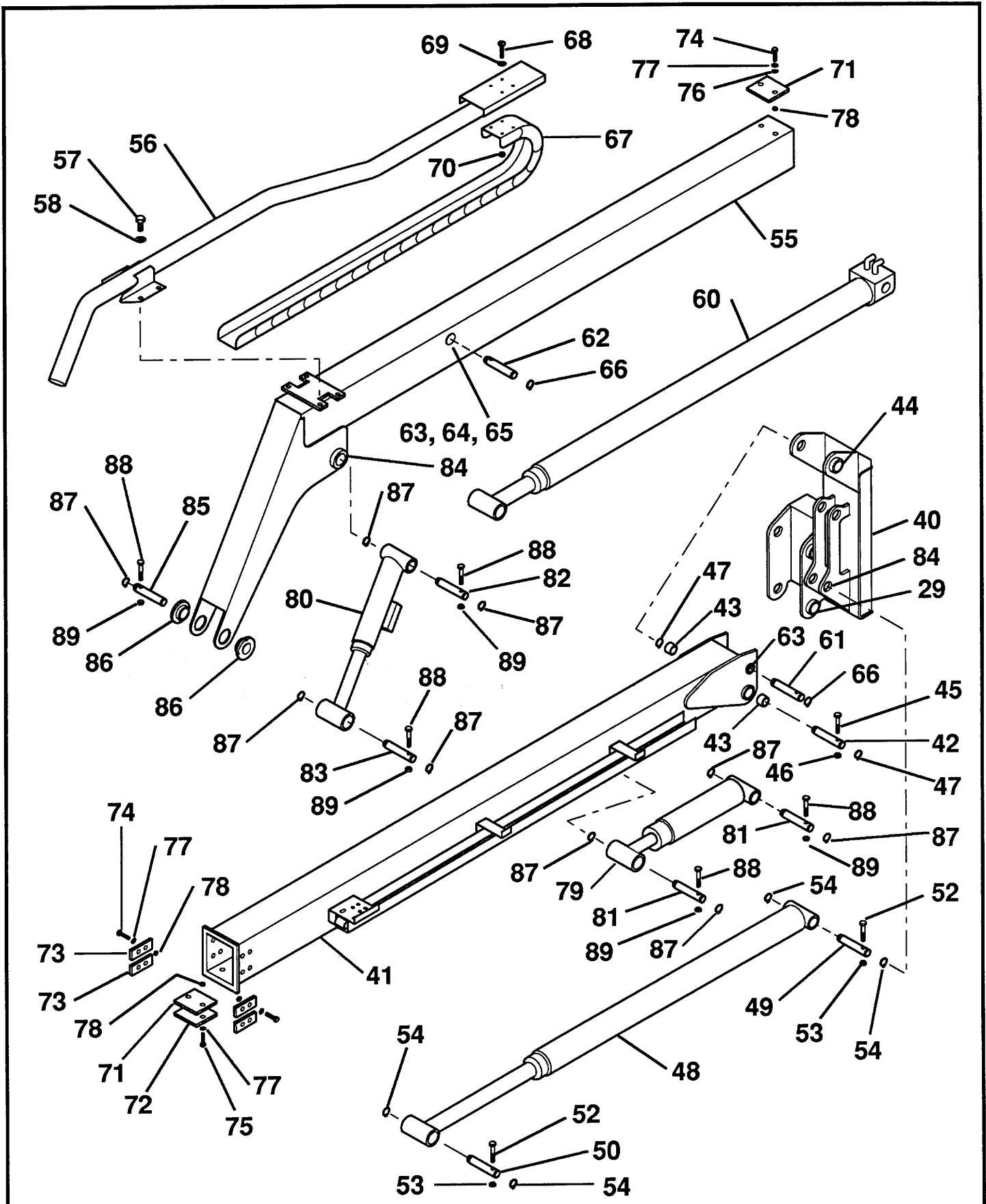
TITLE BOOM ASSEMBLY, 40 FOOT (12.2 M) (PLATE 4 OF 4 . . . UPPER BOOM)

PLATE NO. 03.12

**SIMON AERIALS INC.**

REV. 19 FEB., 1992

PART NO. A-C3518160



TITLE BOOM ASSEMBLY, 40 FOOT (12.2 M) (PLATE 4 OF 4 . . . UPPER BOOM)

**SIMON AERIALS INC.**

REV. 09/20/90

PART NO. **A-C3518160**

PLATE NO. **03.12**



## PARTS LIST

ITEM	PART NO	SEE SECTION	DESCRIPTION	QTY.
1	2140290		PLATFORM WELDMENT	1
2	3514160		BAR ASSEMBLY, LATCH	1
3	2041724		PIVOT, DOOR	1
4	2076577		BAR, LATCH	1
5	2041649		SPACER, LATCH BAR PIVOT	1
6	07-003047		CAP SCREW, HEX HEAD (3/8"-16 x 1-1/2", Grade 5)	1
7	07-050016		NUT, HEX LOCK (3/8"-16, Grade 5)	1
8	08-010100		SPRING AND TUBE ASSEMBLY	1
9	2108380		SPACER	1
10	07-003043		CAP SCREW, HEX HEAD (3/8"-16 x 3/4", Grade 5)	1
11	07-003096		CAP SCREW, HEX HEAD (1/2"-13 x 3-3/4", Grade 5)	1
12	07-050018		NUT, LOCK (1/2"-13, Grade 5)	1
13	03-027900		SWITCH ASSEMBLY, FOOT (Double pole)	1
14	03-027901		SWITCH (Double pole, double throw)	1
15	03-021302		COVER, SWITCH (Guard type, with latch)	1
16	07-003003		CAP SCREW, HEX HEAD (1/4"-20 x 3/4", Grade 5)	2
17	07-065014		WASHER, HELICAL LOCK (1/4")	2
18	03-062100		BOX, DUPLEX OUTLET	1
19	03-067000		OUTLET, DUPLEX (110 Volt AC)	1
20	03-062200		COVER, DUPLEX OUTLET	1
21	07-003002		CAP SCREW, HEX HEAD (1/4"-20 x 5/8", Grade 5)	2
22	03-063300		GRIP, CORD (1/2", Sealing)	1
23	02-023700	21.02	ACTUATOR, ROTARY	1
24	07-004092		CAP SCREW, HEX HEAD (1/2"-13 x 2-3/4", Grade 8)	4
25	07-058400		NUT, LOCK (1/2"-13, Grade 8)	4
26	01-001900		VALVE, CHECK (Pilot operated) (no cartridges protrude from block)	1
	01-202000		VALVE, PRESSURE RELIEF (two cartridges protrude from side of block)	1
27	07-003049		CAP SCREW, HEX HEAD (3/8"-16 x 2", Grade 5)	2
28	07-062016		WASHER, FLAT (3/8")	2
29	07-065016		WASHER, HELICAL LOCK (3/8")	2
30	2144710		TUBE ASSEMBLY, HYDRAULIC ROTATOR	2
31	06-044300		90° ELBOW, STRAIGHT THREAD (4 C50X-S)	2
32	06-044400		90° ELBOW, STRAIGHT THREAD (4-6 C50X-S)	2

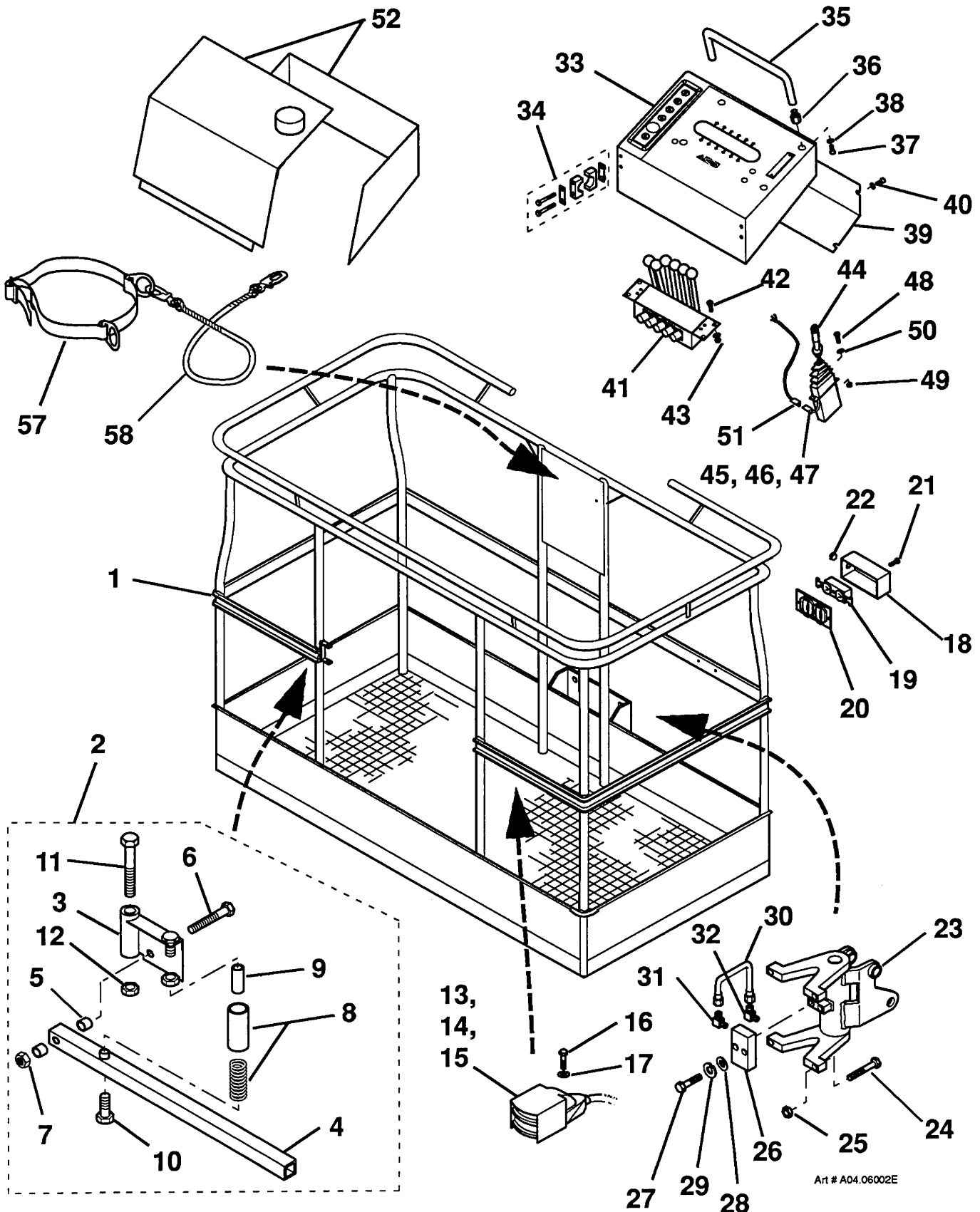
TITLE PLATFORM ASSEMBLY (PLATE 1 OF 2)

PLATE NO. 04.06

**SIMON AERIALS INC.**

REV. 02 SEP., 1993

PART NO. 3515200



Art # A04.06002E

TITLE

PLATFORM ASSEMBLY (PLATE 1 OF 2)

**SIMON AERIALS INC.**

REV. 02 SEP., 1993

PART NO.

3515200

PLATE NO.

04.06

## PARTS LIST

ITEM	PART NO	SEE SECTION	DESCRIPTION	QTY.
33	2140350		CONSOLE WELDMENT, CONTROL	1
34	10-069600		CLAMP, TUBE (1-1/4")	2
35	2133020		BAR, GRAB [4-1/2" (114 mm) high] (earlier models)	2
	2133020		BAR, GRAB [4-1/2" (114 mm) high] (later models)	1
	2175060		BAR, GRAB [8-1/2" (216 mm) high] (later models)	1
36	2114330		PLUG (Modified 12 PNTX)	4
37	07-003085		CAP SCREW, HEX HEAD (1/2"-13 x 1", Grade 5)	4
38	07-065018		WASHER, HELICAL LOCK (1/2")	4
39	2140390		COVER, CONTROL CONSOLE (Rear)	1
40	07-029365		SCREW, HEX WASHER HEAD (#12 x 1", Self drilling, with rubber seal)	6
41	01-086200	06.07	VALVE BANK ASSEMBLY, PLATFORM (Type 1)	1
			<b>Note:</b> On a "Type 1" assembly, the brackets mounting the valve bank to the platform control console are "L" shaped.	
	01-098800	06.15	VALVE BANK ASSEMBLY, PLATFORM (Type 2)	1
			<b>Note:</b> On a "Type 2" assembly, the brackets mounting the valve bank to the platform control console are flat.	
42	07-003046		CAP SCREW, HEX HEAD (3/8"-16 x 1-1/4", Grade 5)	4
43	07-050016		NUT, LOCK (3/8"-16, Grade 5)	4
44	01-083400	29.05	VALVE, DRIVE CONTROLLER	1
45	03-451100		CONNECTOR, MALE (3 Conductor)	1
46	03-451000		SOCKET, TERMINAL	3
47	03-457100		WEDGE, CONNECTOR (3 Pin)	1
48	07-003003		CAP SCREW, HEX HEAD (1/4"-20 x 3/4", Grade 5)	2
49	07-050014		NUT, STOP (1/4"-20, Grade 5)	2
50	07-062014		WASHER, FLAT (1/4")	2
51	03-459700		HARNESS, STEERING WIRE	1
52	2172380		COVER, CONTROL CONSOLE (Hinged metal) (option)	1
	10-116900		COVER, CONTROL CONSOLE (Vinyl cloth) (option)	1
53	10-163800		STUD, BUTTON SNAP (Stainless steel) (for vinyl cover)	A.R.
54	07-099300		RIVET, BLIND (Stainless steel) (for vinyl cover)	A.R.
55	03-038800		LAMP, CONTROL PANEL (hooded) (option, not shown)	2
56	03-418600		BULB, PANEL LAMP (#68)	2
57	10-034000		BELT, SAFETY	1
58	10-033900		LANYARD, SAFETY BELT	1
59	11-085200		BOX, TECHNICAL MANUAL STORAGE (not shown)	1
60	07-029365		SCREW, HEX WASHER HEAD (#12 x 1", Self drilling, with rubber seal)	A.R.

TITLE

PLATFORM ASSEMBLY (PLATE 2 OF 2)

PLATE NO.

04.06

**SIMON AERIALS INC.**

REV. 02 SEP., 1993

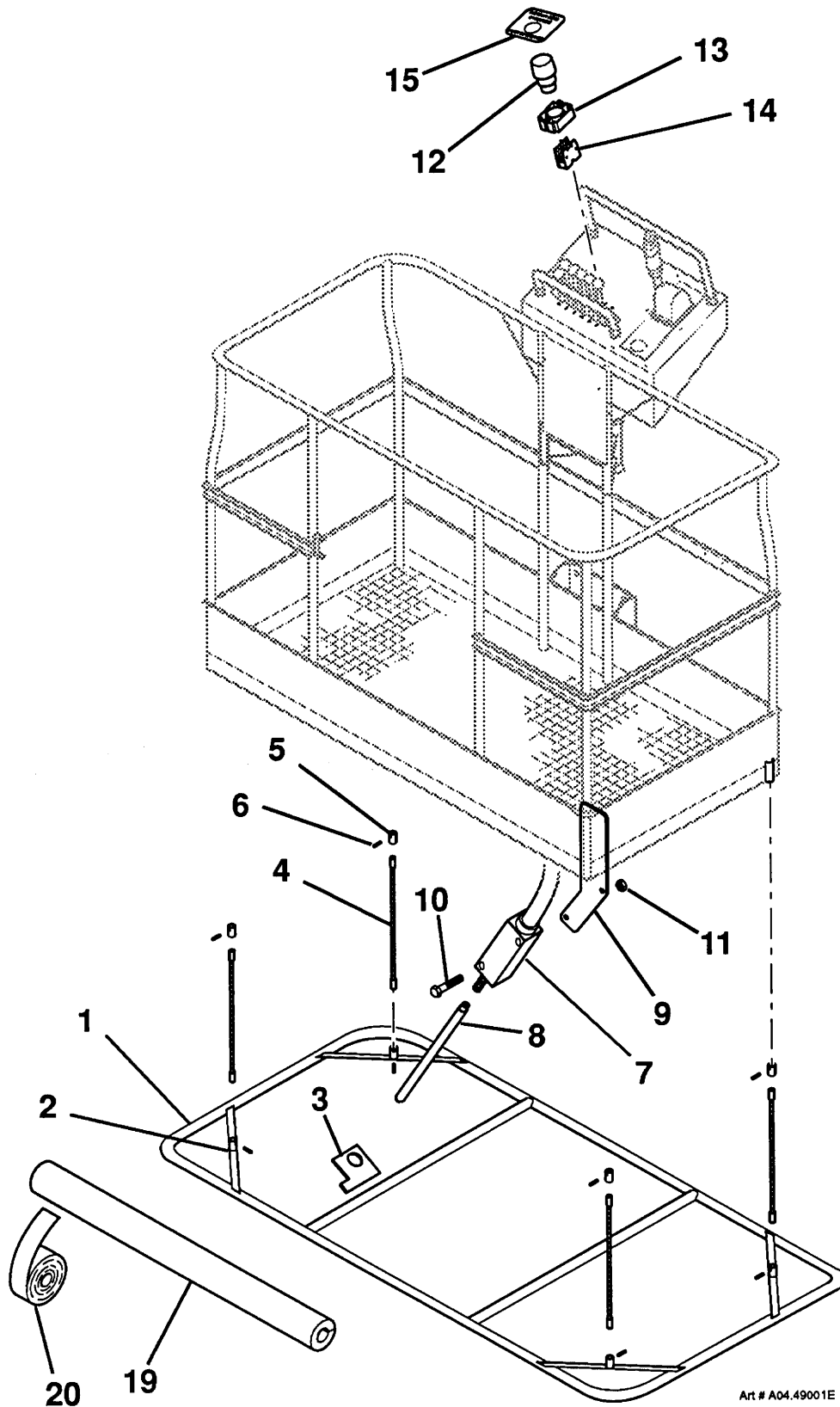
PART NO.

3515200

## PARTS LIST

ITEM	PART NO	SEE SECTION	DESCRIPTION	QTY.
1	2174050		SENSOR RING WELDMENT (for 30" x 60" platform) (does not include sensor switch bracket)	1
2	2173950		COLLAR, SENSOR RING (part of sensor ring)	4
3	2125590		BRACKET, SENSOR SWITCH	1
4	2183350		WIRE ROPE ASSEMBLY	4
5	2173950		COLLAR, SENSOR RING (welded to platform)	4
6	07-023600		SET SCREW, SOCKET HEAD (1/4"-20 x 1/2", Grade 5)	8
7	03-428300		SWITCH, LIMIT	1
8	2175320		ROD, SENSOR RING SWITCH	1
9	2175860		BRACKET, SWITCH MOUNTING	1
10	07-003006		CAP SCREW, HEX HEAD (1/4"-20 x 1-1/4", Grade 5)	2
11	07-050014		NUT, HEX LOCK (1/4"-20, Grade 5)	2
12	03-421900		SWITCH, PUSHBUTTON (Blue) (Sensor ring override)	1
13	03-454900		BASE, CONTACT BLOCK	1
14	03-437200		BLOCK, CONTACT (Normally open)	2
15	10-116800		DECAL, "SENSOR RING OVERRIDE . . ."	1
16	03-085200		CABLE, ELECTRICAL (SJO, 2 conductor, #16 AWG) [Bulk item, order as needed. 7 Ft. (2.1 M) needed here]	A.R.
17	03-045500		GRIP, CORD (1/2")	1
18	03-055500		NUT, CONDUIT LOCK (1/2")	1
19	10-063300		TUBING, SPONGE INSULATION (7/8" I.D.) [5 Ft. (1.5 M) section]	4
20	10-089500		TAPE, MARKING [Yellow, 2" (51 mm) wide x 36 Yd. (32.9 M) long roll]	3

TITLE	PLATFORM SENSOR RING ASSEMBLY		
PLATE NO.	04.48	<b>SIMON AERIALS INC.</b>	PART NO. <span style="font-size: 1.2em;">3522230</span> <small>NEW 13 OCT., 1992</small>



Art # A04.49001E

TITLE

PLATFORM SENSOR RING ASSEMBLY

**SIMON AERIALS INC.**

NEW 13 OCT., 1992

PART NO.

3522230

PLATE NO.

04.48

## PARTS LIST

ITEM	PART NO	SEE SECTION	DESCRIPTION	QTY.
	3515590		VALVE BANK ASSY, PLATFORM CONTROL (7 Spool)	1
	3515530		VALVE BANK ASSY, GROUND CONTROL (5 Spool)	1
	01-086200		VALVE BANK ASSEMBLY, PLATFORM	1
1	01-086300		VALVE BANK ASSEMBLY, GROUND	1
2			VALVE SECTION, INLET	1
			VALVE SECTION, TELESCOPE AND SWING	1
			VALVE SECTION, LOWER, UPPER, MID BOOM	1
			VALVE SECTION, UPPER BOOM LEVELING (PLATFORM ONLY)	1
3			VALVE SECTION, OUTLET (PLATFORM)	1
4			VALVE SECTION, OUTLET (GROUND)	1
A	01-072701		LEVER ASSEMBLY, HAND (PLATFORM ONLY)	1
4A	01-072702		BALL, VALVE LEVER	1
8A			BOLT	1
9A			PIN, COTTER	1
15A			SCREW	2
B	01-072704		VALVE, CHECK	1
1B			CAP, PROTECTIVE	1
7B			RING, BACK-UP	1
8B			O-RING	1
10B			SPRING	1
C	01-072708		CONNECTION PORT, TANK VALVE	1
1C			O-RING	1
2C			RING, BACK-UP	1
3C			RING, SEALING	1
C	01-072711		CONNECTION PORT, BLOCKING	1
1C			O-RING	1
2C			RING, BACK-UP	1
3C			RING, SEALING	1
5C			SLEEVE, POWER BEYOND (GROUND ONLY)	1
6C			RING, SEALING	1
7C			PLUG	1
D			PLUG	1
6D			O-RING	1
E			LEVER ASSEMBLY, HAND (GROUND ONLY)	1
1E	01-086301		LEVER SUBASSEMBLY	1
2E	• 01-072702		BALL, VALVE LEVER	1
3E			BOOT	1
4E			BOLT	2
5E			PIN, COTTER	2
6E	01-086302		BASE ASSEMBLY, LEVER	1
7E			SCREW	2

TITLE GROUND/ PLATFORM VALVE BANK ASS'Y. (PLATE 1 OF 2)

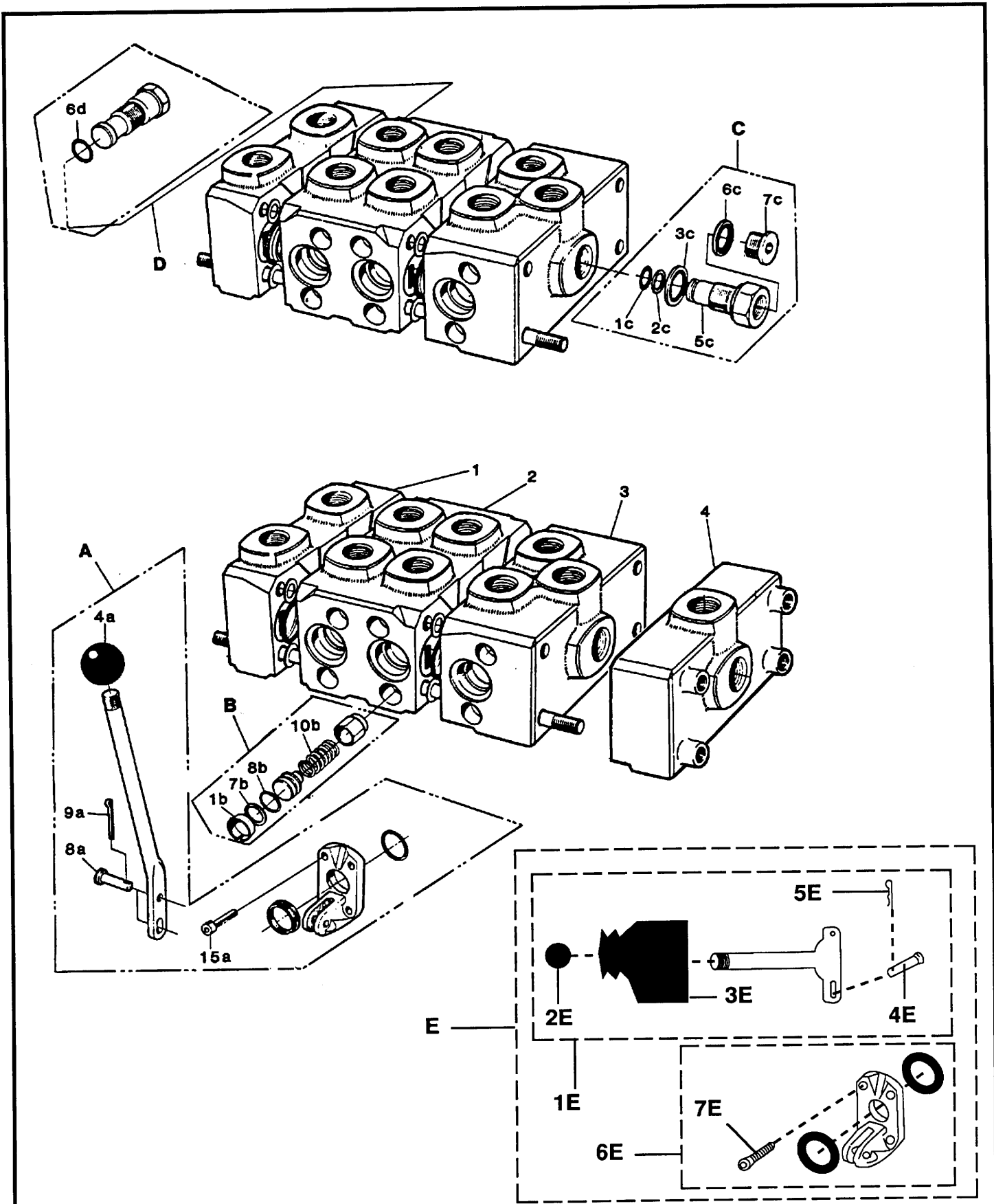
PLATE NO.

06.07

**SIMON AERIALS INC.**

REV. 03 SEP., 1993

PART NO.



TITLE GROUND/ PLATFORM VALVE BANK ASS'Y. (PLATE 1 OF 2)

**SIMON AERIALS INC.**

REV. 03 SEP., 1993

PART NO.

PLATE NO. 06.07

## PARTS LIST

ITEM	PART NO	SEE SECTION	DESCRIPTION	QTY.
A	01-072709		SEAL KIT	1
1A			RING, SPACER	
2A			O-RING	
3A			RING, BACK-UP	
4A			SEAL	
5A			O-RING	
12A			O-RING	
B	01-072713		TIE ROD KIT (7 Section) (Platform valve bank only)	1
1B			PLATE, MOUNTING	1
3B			TIE ROD	4
4B			NUT	8
5B			WASHER	8
B	01-072706		TIE ROD KIT (5 Section) (Ground valve bank only)	1
1B			PLATE, MOUNTING	1
	No Part #		Angle bracket, used most applications. Comes in kit	1
	• 2166040		Flat plate, used some applications. Order separately.	1
3B			TIE ROD	4
4B			NUT	8
5B			WASHER	8
C	01-072710		CAP ASSEMBLY, VALVE SPRING	1
1C			O-RING	1
4C			SPRING	1
7C			WASHER	1
8C			SCREW	1
10C			SCREW	4
The following items are not illustrated:				
for <b>Ground Valve Bank</b> :				
1	01-021000		GAUGE, HYDRAULIC PRESSURE (0-4000 PSI)	1
2	06-044300		90° ELBOW, STRAIGHT THREAD (4 C50X-S)	10
3	06-044600		90° ELBOW, STRAIGHT THREAD (6 C50X-S)	4
4	06-086600		ADAPTER, "O"-RING TO FEMALE NPT (6-1/4 F50G-S)	1
5	06-090500		REDUCER (8-4 F50G5-S)	12
6	06-090800		REDUCER (10-6 F50G5-S)	5
for <b>Platform Valve Bank</b> :				
7	06-039600		ADAPTER, "O"-RING TO 37° (4-8 F50X-S)	12
8	2144690		ADAPTER, "O"-RING TO 37° (Modified 4-8 F50X-S)	2
9	06-040000		ADAPTER, "O"-RING TO 37° (6-10 F50X-S)	2

TITLE                      GROUND/ PLATFORM VALVE BANK ASS'Y. (PLATE 2 OF 2)

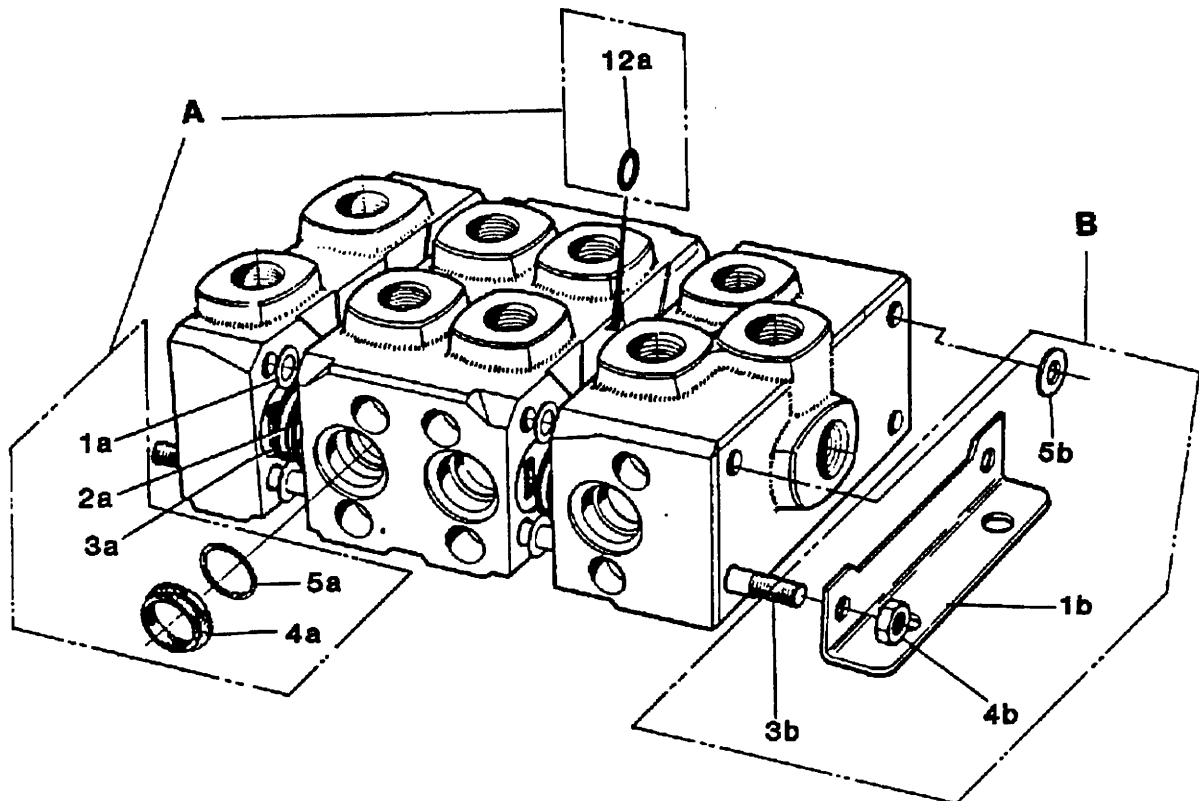
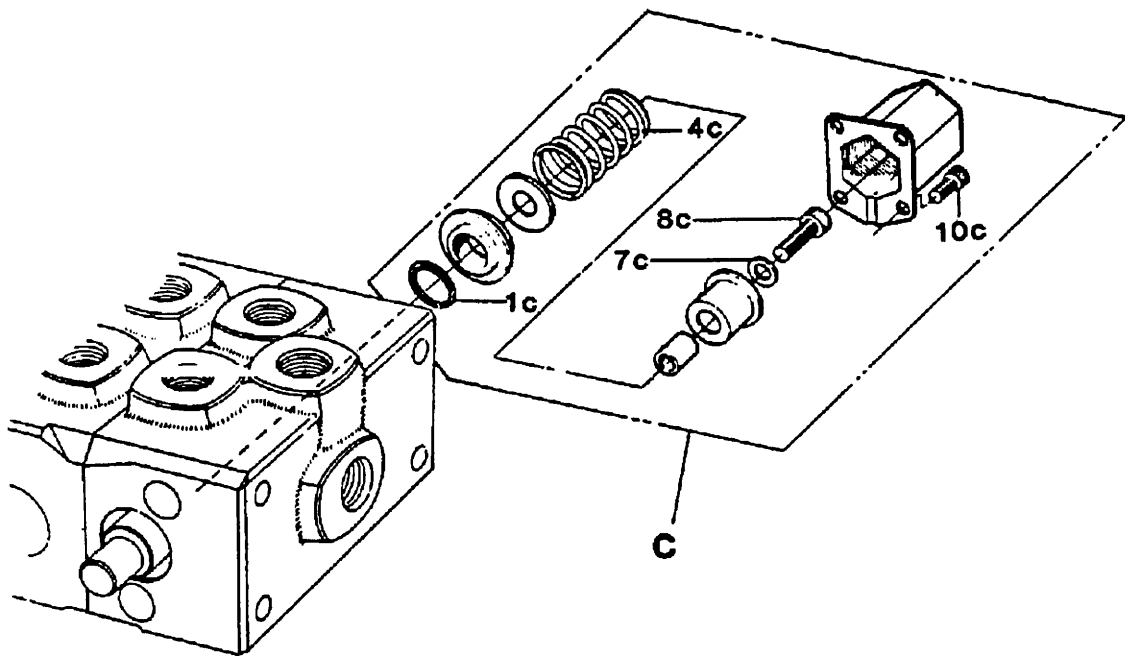
PLATE NO.      06.07

**SIMON AERIALS INC.**

REV. 03 SEP., 1993

PART NO.





TITLE GROUND/ PLATFORM VALVE BANK ASS'Y. (PLATE 2 OF 2)

**SIMON AERIALS INC.**

REV. 03 SEP., 1993

PART NO.

PLATE NO. 06.07

## PARTS LIST

ITEM	PART NO	SEE SECTION	DESCRIPTION	QTY.
1	01-098600		VALVE BANK ASSEMBLY, GROUND CONTROL (5 Spool)	1
2	01-098602		INLET SECTION, 3 SPOOL	1
3	01-098404		OUTLET SECTION, 2 SPOOL	1
4	01-098410		VALVE ASSY., FLOW CONTROL (5 L/ min., pres.comp.)	2
5			VALVE KIT, LOAD CHECK	5
6			POPPET, LOAD CHECK	1
7			SPRING	1
8			PLUG, HEX HEAD	1
9			O-RING (also part of Seal Kit, item 33)	1
10			TUBE ASSEMBLY, FEEDER (11/16" O.D.)	1
11			TUBE ASSEMBLY, FEEDER (3/4" O.D.)	2
12			BOLT, HEX HEAD (1/4"-20 x 2-1/4", Grade 5)	2
13			BOLT, HEX HEAD (1/4"-20 x 3", Grade 5)	2
14			WASHER, SPLIT LOCK (1/4")	4
15			NUT, HEX (1/4"-20, Grade 5)	4
16			SPRING CENTER KIT	5
17			CAP, END	1
18			SCREW	2
19			WASHER	1
20			SPRING, RETURN	1
21			SPACER	1
22			BOLT, SHOULDER	1
23	01-098701		HANDLE KIT (3" handle)	5
24	01-098402		BLOCK, PIVOT	1
25	01-098403		PIN, CLEVIS	1
26	01-098413		C-HOOK	1
27	01-098414		LINK (for spools 1, 2 and 5 only)	1
28	01-098411		WASHER, FLAT (for spools 3 and 4 only)	1
29	01-098409		WASHER, SPRING (2 for spools 3 and 4, 1 for rest)	2
30	01-098412		PIN, COTTER	3
31	01-098406		ROD, HANDLE (3")	1
32	01-098407		KNOB, BALL (Plastic)	1
33	01-098408		NUT, JAM	1
34	01-098601		SEAL KIT (5 Spool)	1
35	01-021000		GAUGE, HYDRAULIC PRESSURE (0-4000 PSI)	1
36	06-044300		ELBOW, 90° STRAIGHT THREAD (4 C50X)	10
37	06-044600		ELBOW, 90° STRAIGHT THREAD (6 C50X)	4
38	06-086600		ADAPTER, FEMALE PIPE (6-4 F50)	1
39	06-090500		REDUCER (8-4 F50G5)	12
40	06-090800		REDUCER (10-6 F50G5)	5
41	2166040		PLATE, VALVE BANK MOUNTING	2
42	07-003449		SCREW, HEX HEAD (5/16"-24 x 1/2")	4
43	07-065015		WASHER, SPLIT LOCK (5/16")	4

TITLE

GROUND VALVE BANK ASSEMBLY, 5 SPOOL

PLATE NO.

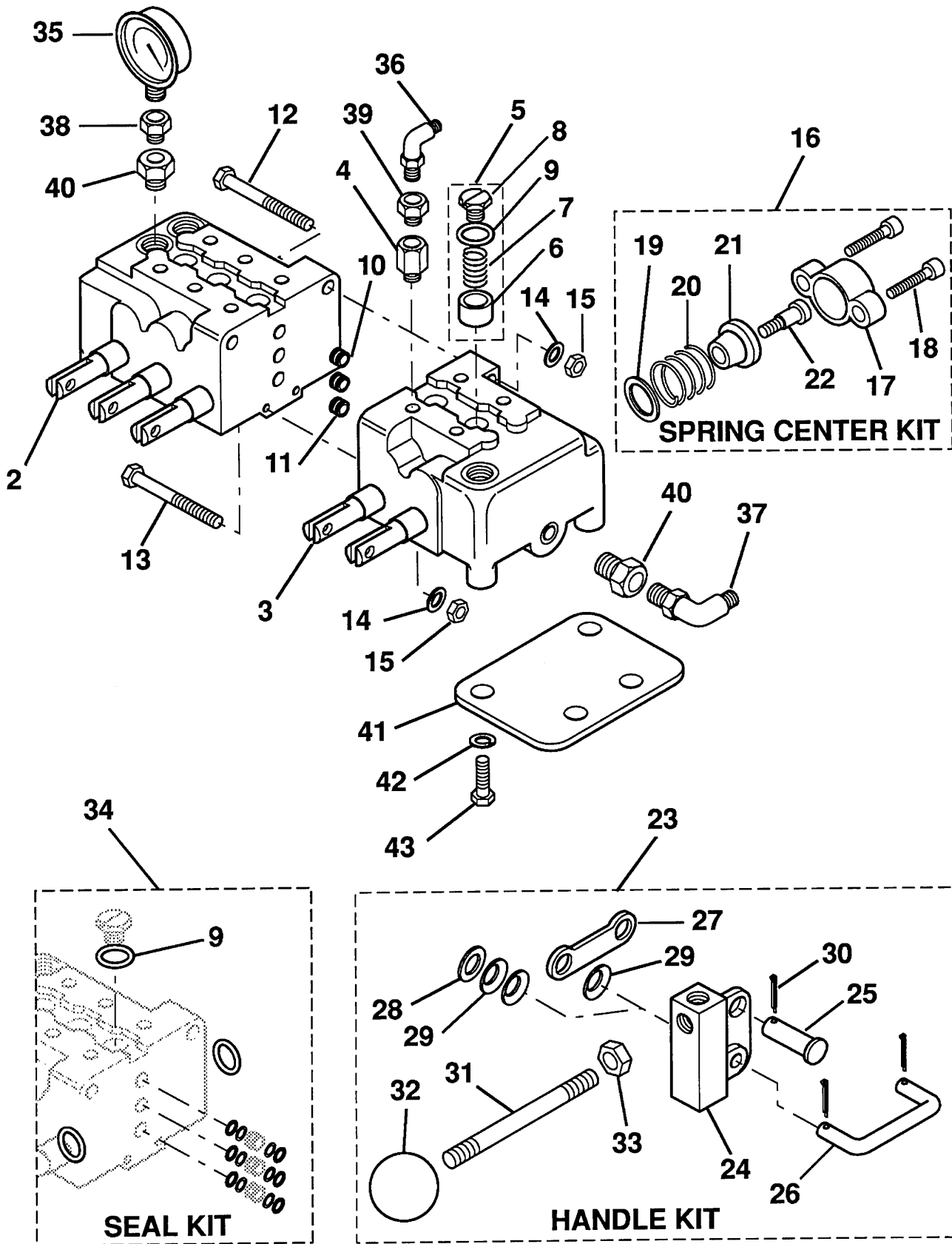
06.14

**SIMON AERIALS INC.**

REV. 11/13/90

PART NO.

3522270



TITLE

GROUND VALVE BANK ASSEMBLY, 5 SPOOL

**SIMON AERIALS INC.**

REV. 11/13/90

PART NO. 3522270

PLATE NO. 06.14

## PARTS LIST

ITEM	PART NO	SEE SECTION	DESCRIPTION	QTY.
1	01-098800		VALVE BANK ASS'Y., PLATFORM CONTROL (7 Spool)	1
2	01-098505		INLET SECTION, 3 SPOOL	1
3	01-098802		CENTER SECTION, SINGLE SPOOL	1
4	01-098803		OUTLET SECTION, 3 SPOOL	1
5	01-098410		VALVE ASSY., FLOW CONTROL (5 L per minute, pressure compensated)	3
6			VALVE KIT, LOAD CHECK	7
7			POPPET, LOAD CHECK	1
8			SPRING	1
9			PLUG, HEX HEAD	1
10			O-RING (also part of Seal Kit, item 34)	1
11			TUBE ASSEMBLY, FEEDER (11/16" O.D.)	2
12			TUBE ASSEMBLY, FEEDER (3/4" O.D.)	4
13			BOLT, HEX HEAD (1/4"-20 x 3-3/4", Grade 5)	2
14			BOLT, HEX HEAD (1/4"-20 x 4-1/2", Grade 5)	2
15			WASHER, SPLIT LOCK (1/4")	4
16			NUT, HEX (1/4"-20, Grade 5)	4
17			SPRING CENTER KIT	7
18			CAP, END	1
19			SCREW	2
20			WASHER	1
21			SPRING, RETURN	1
22			SPACER	1
23			BOLT, SHOULDER	1
24	01-098901		HANDLE KIT (5" handle, for spools 1 and 2)	2
	01-098902		HANDLE KIT (5-3/4" handle, for spools 3, 4, 5, 6 and 7)	5
25	01-098402		BLOCK, PIVOT	1
26	01-098403		PIN, CLEVIS	1
27	01-098413		C-HOOK	1
28	01-098414		LINK (for spools 1, 2, 6 and 7 only)	1
29	01-098411		WASHER, FLAT (for spools 3, 4 and 5 only)	1
30	01-098409		WASHER, SPRING (2 for spools 3, 4 and 5, 1 for rest)	2
31	01-098412		PIN, COTTER	3
32	01-098502		ROD, HANDLE (5")	1
	01-098503		ROD, HANDLE (5-3/4")	1
33	01-098407		KNOB, BALL (Plastic)	1
34	01-098408		NUT, JAM	1
35	01-098801		SEAL KIT (7 Spool)	1

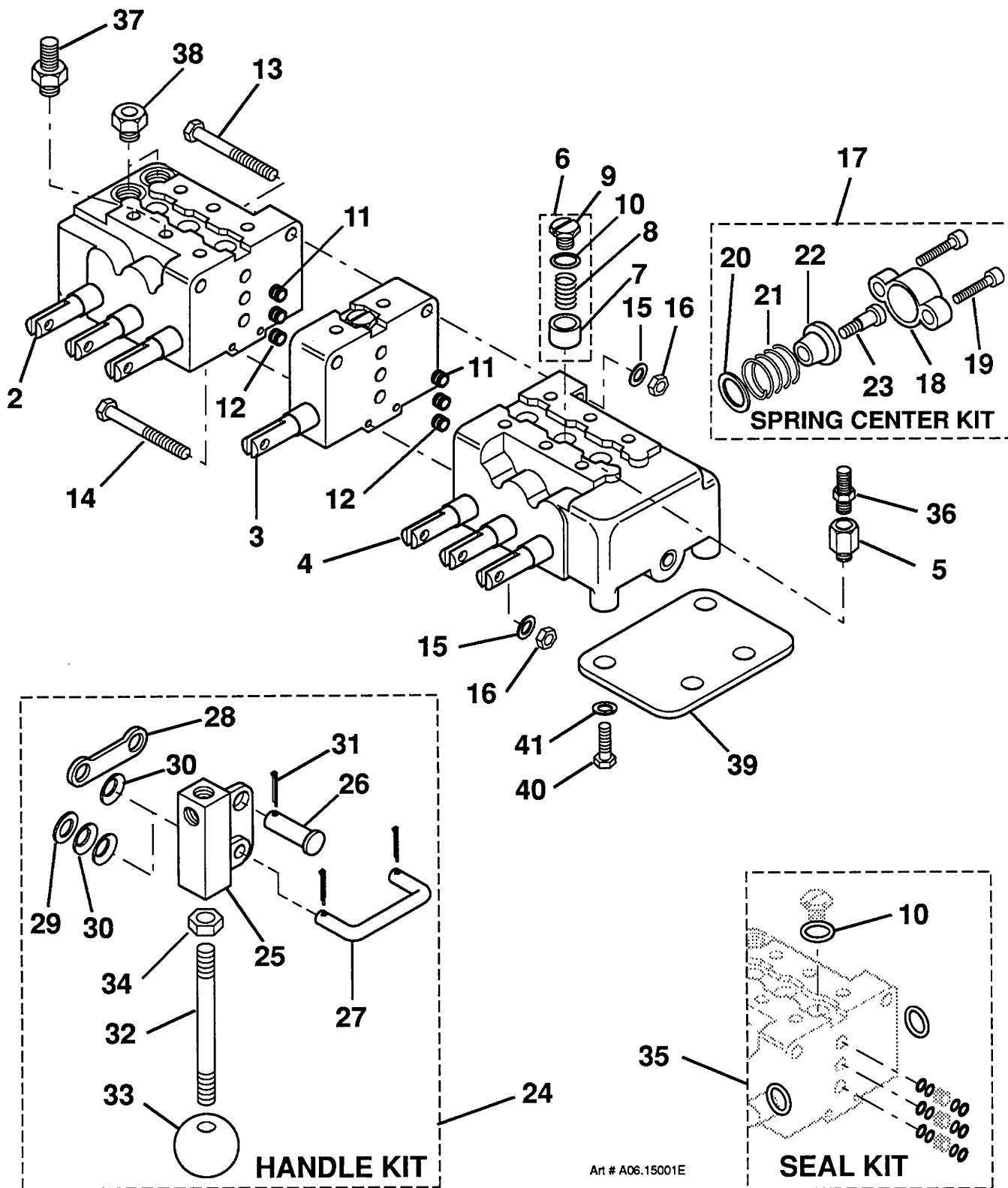
TITLE PLATFORM VALVE BANK ASSEMBLY, 7 SPOOL (PLATE 1 OF 2)

PLATE NO. 06.15

**SIMON AERIALS INC.**

REV. 10 FEB., 1992

PART NO. 3522280



Art # A06.15001E

TITLE PLATFORM VALVE BANK ASSEMBLY, 7 SPOOL (PLATE 1 OF 2)

**SIMON AERIALS INC.**

REV. 10 FEB., 1992

PART NO. 3522280

PLATE NO. 06.15

# PARTS LIST

ITEM	PART NO	SEE SECTION	DESCRIPTION	QTY.
36	06-039600		CONNECTOR, STRAIGHT THREAD (4-8 F50X)	12
37	2144690		CONNECTOR, STRAIGHT THREAD (Modified 4-8 F50X)	2
38	06-040000		CONNECTOR, STRAIGHT THREAD (6-10 F50X)	2
39	2166040		PLATE, VALVE BANK MOUNTING	2
40	07-003449		SCREW, HEX HEAD (5/16"-24 x 1/2")	4
41	07-065015		WASHER, SPLIT LOCK (5/16")	4

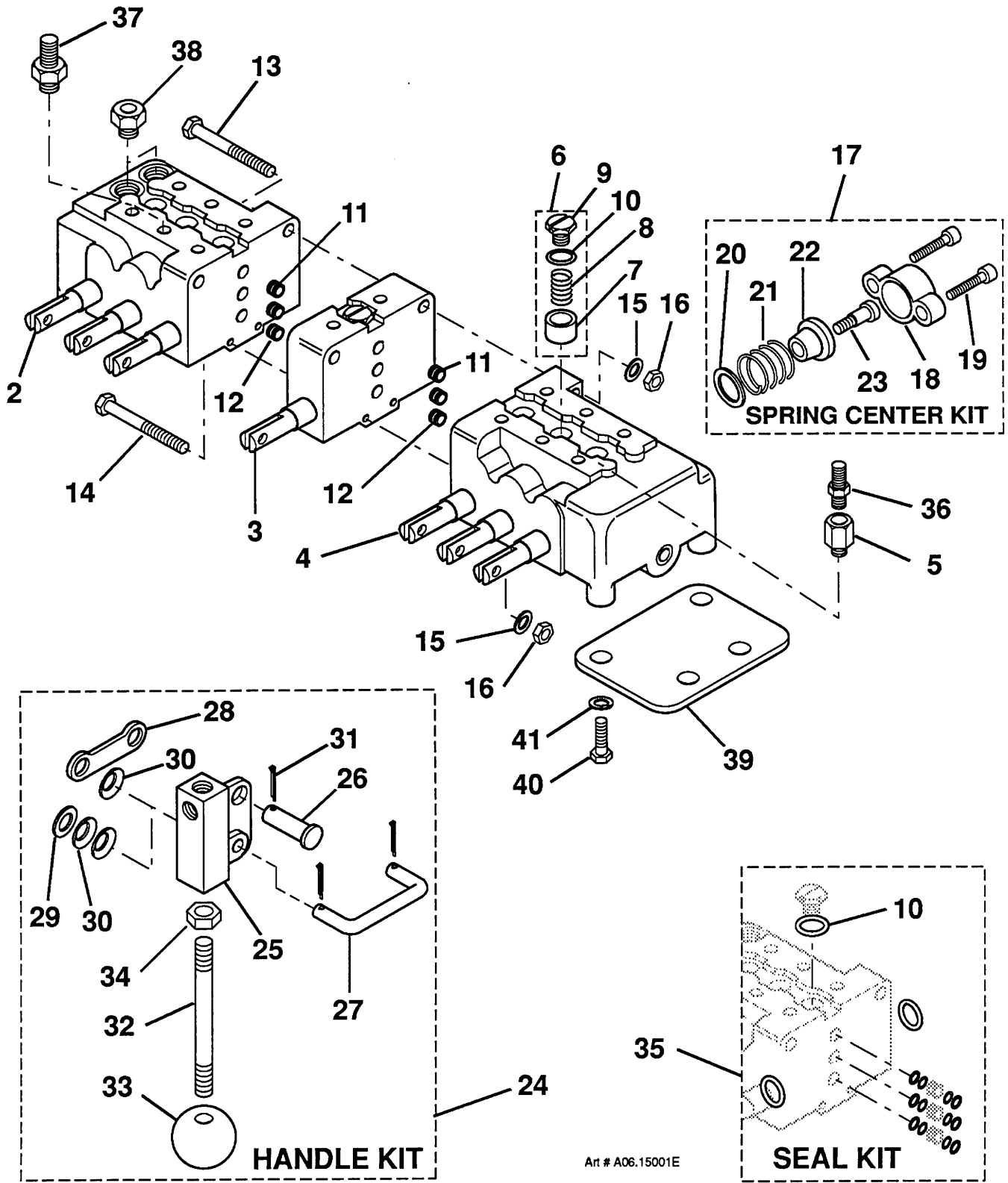
TITLE PLATFORM VALVE BANK ASSEMBLY, 7 SPOOL (PLATE 2 OF 2)

PLATE NO. 06.15

**SIMON AERIALS INC.**

REV. 10 FEB., 1992

PART NO. 3522280



Art # A06.15001E

TITLE      PLATFORM VALVE BANK ASSEMBLY, 7 SPOOL (PLATE 2 OF 2)			
<b>SIMON AERIALS INC.</b>	REV. 10 FEB., 1992	PART NO.      3522280	PLATE NO.      06.15

**PARTS LIST**

ITEM	PART NO	SEE SECTION	DESCRIPTION	QTY.
1	03-455000		BOX, GROUND CONTROL (includes subplate)	1
2	03-030400		AMMETER (50 Amp)	1
3	03-030500		METER, HOUR (12 Volt DC)	1
4	03-024000		BREAKER, CIRCUIT (20 Amp, pushbutton reset)	1
5	03-464600		HORN, LEVEL WARNING (12 / 36 Volt DC, 102 DB, intermittent)	1
6	03-038100		SENSOR, LEVEL	1
7	03-472000		ALARM, MOVEMENT	1
8	03-409800		BUTTON, EMERGENCY STOP	1
9	03-410000		SWITCH, 2 POSITION ROTARY	1
10	03-436700		SWITCH, KEY OPERATED	1
11	03-436800		SWITCH, IGNITION (3 position rotary)	2
12	03-437000		SWITCH, 2 POSITION ROTARY	2
13	03-454800		SWITCH, DUAL FUEL (3 position rotary)	1
14	03-437200		BLOCK, CONTACT (normally open)	12
15	03-437300		BLOCK, CONTACT (normally closed)	5
16	03-454900		BASE, SWITCH MOUNTING	8
17	10-099700		DECAL, GROUND ELECTRICAL BOX	1

TITLE GROUND CONTROL BOX (PLATE 1 OF 2)

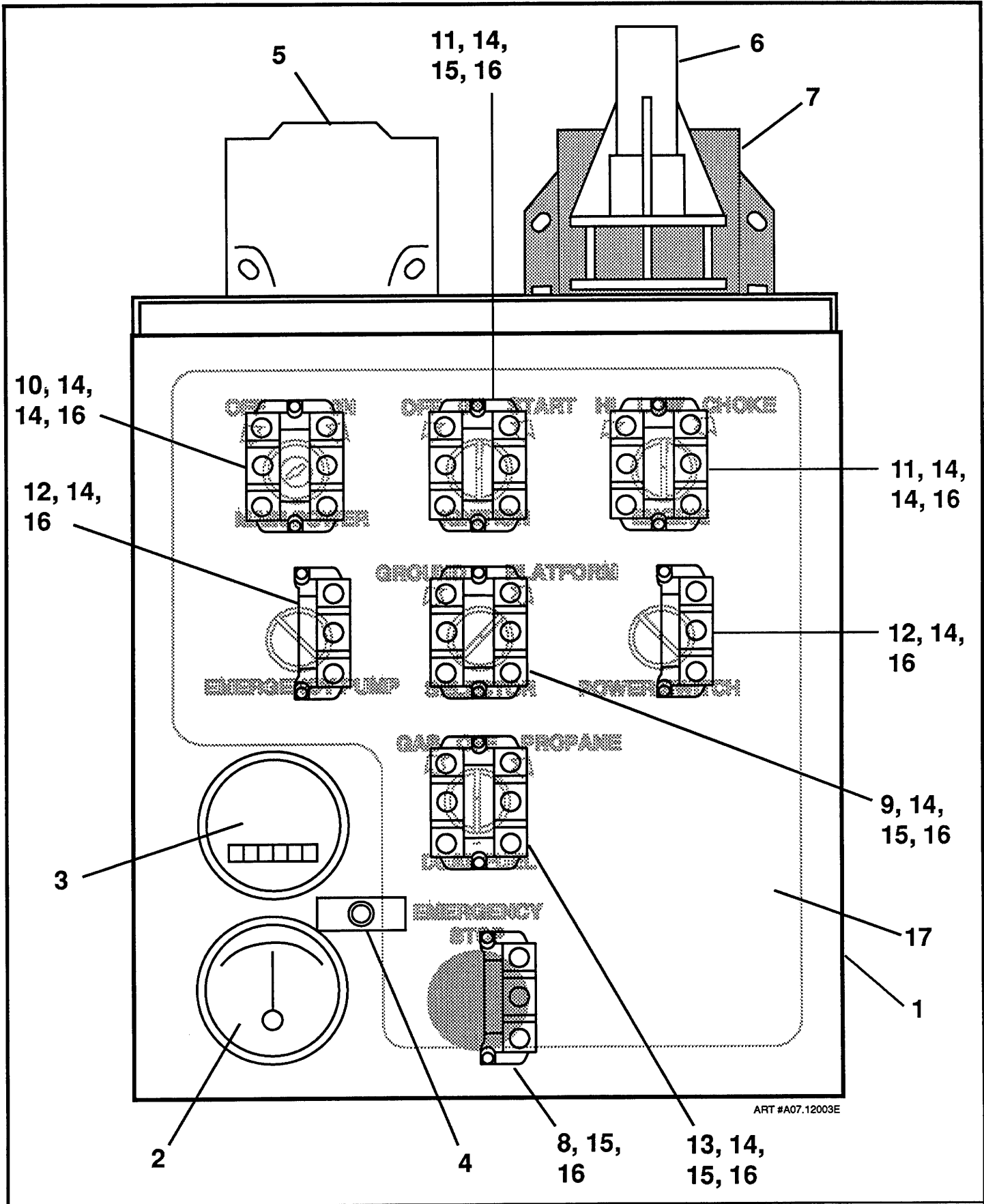
PLATE NO. 07.12

SIMON AERIALS INC.

REV. 10 FEB., 1992

PART NO. 3515510





ART #A07.12003E

TITLE	GROUND CONTROL BOX (PLATE 1 OF 2)		
<b>SIMON AERIALS INC.</b>	REV. 10 FEB., 1992	PART NO. 3515510	PLATE NO. 07.12

## PARTS LIST

ITEM	PART NO	SEE SECTION	DESCRIPTION	QTY.
18	03-051700		RAIL, MOUNTING	1
19	03-037500		SOCKET, DOUBLE POLE RELAY	4
20	03-050100		RELAY, CONTROL (Double pole, double throw, 12 Volt DC)	3
21	03-052800		RELAY, CONTROL (Time delay, 12 Volt DC)	1
22	03-051500		RELAY, CONTROL (Engine shutdown) (Single pole, single throw, 12 Volt DC)	1
23	03-051600		SOCKET, SINGLE POLE RELAY	1
24	03-453600		SOCKET, LATCHING RELAY	1
25	03-453500		RELAY, LATCHING (Dual coil)	1
26	03-450100		CONNECTOR, FEMALE (23 conductor)	3
The following items, which are <b>part of the box assembly</b> , are not shown:				
27	03-061800		DIODE (on control box wire harness)	3
28	03-450200		NUT, PANEL	3
29	03-450300		WASHER, LOCK	3
30	03-450900		PIN, TERMINAL	45
31	03-451000		SOCKET, TERMINAL	45
32	03-455900		TERMINAL, SPADE (1/4" male)	6
33	03-456000		TERMINAL, SPADE (1/4" female)	6
34	03-456100		HOUSING, TERMINAL (6 contact)	1
35	03-456500		HOUSING, TERMINAL (2 contact, black color)	3
36	03-456600		HOUSING, TERMINAL (2 contact, brown color)	3
The following items, which are <b>not part of the box assembly</b> , are not shown:				
37	03-475700		HARNES, HYDRAULIC MANIFOLD WIRE (for units with <b>front and rear</b> wheel brakes)	1
	03-468000		(for units with <b>rear</b> wheel brakes only)	1
	03-459500		(for units <b>without</b> wheel brakes)	1
38	03-450400		CONNECTOR, MALE (23 conductor)	1
39	03-459700		HARNES, STEERING WIRE	1

TITLE

GROUND CONTROL BOX (PLATE 2 OF 2)

PLATE NO.

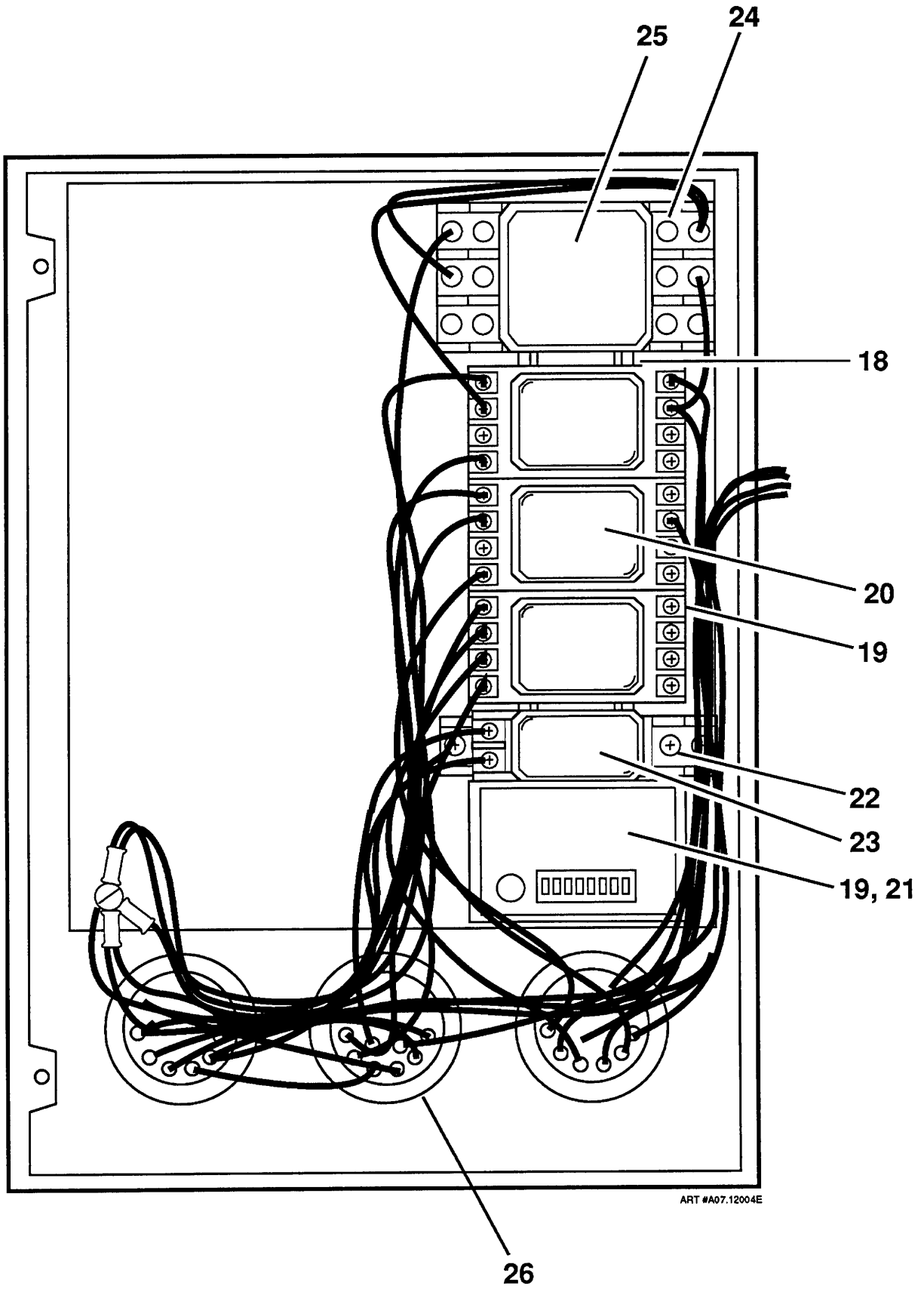
07.12

**SIMON AERIALS INC.**

REV. 10 FEB., 1992

PART NO.

3515510



TITLE GROUND CONTROL BOX (PLATE 2 OF 2)

**SIMON AERIALS INC.**

REV. 10 FEB., 1992

PART NO. 3515510

PLATE NO. 07.12

## PARTS LIST

ITEM	PART NO	SEE SECTION	DESCRIPTION	QTY.
1	3516280		ENGINE ASSEMBLY (Gas)	1
	3516310		ENGINE ASSEMBLY (Dual Fuel . . . Gasoline/ Propane)	1
2	09-044700		ENGINE (Onan P224) (with Muffler and oil shutdown)	1
			<b>Note:</b> P224 engine supercedes the earlier T260 engine. Oil dipstick on P224 is at <b>right rear</b> of engine.	
	09-031000		ENGINE (Onan T260 Gas)	1
	09-031800		ENGINE (Onan T260 Dual Fuel)	1
			<b>Note:</b> T260 engine has been superceded by the P224 engine. Oil dipstick on T260 is at <b>left front</b> of engine.	
3	03-051300		RELAY (Single pole, single throw)	3
4	09-042000		CHOKE ASSEMBLY, ELECTRIC	1
5	03-414400		SOLENOID (12 Volt DC, 60 Ohm, 24 Watt)	1
6	2109010		BRACKET, ELECTRIC CHOKE	1
7			PIN, ROLL	1
8			LEVER ASSEMBLY	1
9			LINK	1
10			SPRING, EXTENSION	1
11			SCREW	2
12	03-456800		SOLENOID, THROTTLE (with module)	1
13	2142770		LINK, THROTTLE SOLENOID TO GOVERNOR ARM	1
14	2121990		BRACKET, THROTTLE	1
15	03-074000		CABLE ASSEMBLY, POWER (9-3/4" long) (not shown)	1
16	03-459400		HARNESS, ENGINE WIRE	1
17	03-450400		CONNECTOR, MALE (23 conductor)	1
18	03-450900		PIN, TERMINAL	3
19	03-451100		CONNECTOR (3 conductor)	1
20	03-457100		WEDGE, 3 PIN CONNECTOR	1
21	03-451000		SOCKET, TERMINAL	14
22	3516300	12.01	PUMP ASSEMBLY, HYDRAULIC	1
23	2131450		SPACER, AIR CLEANER (with gas engine)	1
24	09-031004		FILTER, AIR	1
25	09-031003		WRAPPER, AIR FILTER	1
26	09-017100		VALVE, FUEL SHUT OFF (10 Watt)	1
27			FILTER, OIL (not shown, on far side of engine)	1
28	09-031001		MUFFLER, ENGINE EXHAUST	1
29	09-039200		CONVERSION KIT, DUAL FUEL	1
30			CARBURETOR, PROPANE	1
31	09-038102		VAPORIZER, PROPANE	1
32	2153390		BRACKET, VAPORIZER MOUNTING	1
35	09-028800		VALVE, PROPANE SHUT OFF	1
33	09-015800		SWITCH, VACUUM SAFETY (not shown)	1
34	2133190		BRACKET, VACUUM SWITCH (not shown)	1
35	11-050404		FITTING, HOSE (barbed, 1/4" hose, 1/8" male NPT)	1

TITLE ENGINE ASSEMBLY, ONAN 24 H.P. GAS/ DUAL FUEL

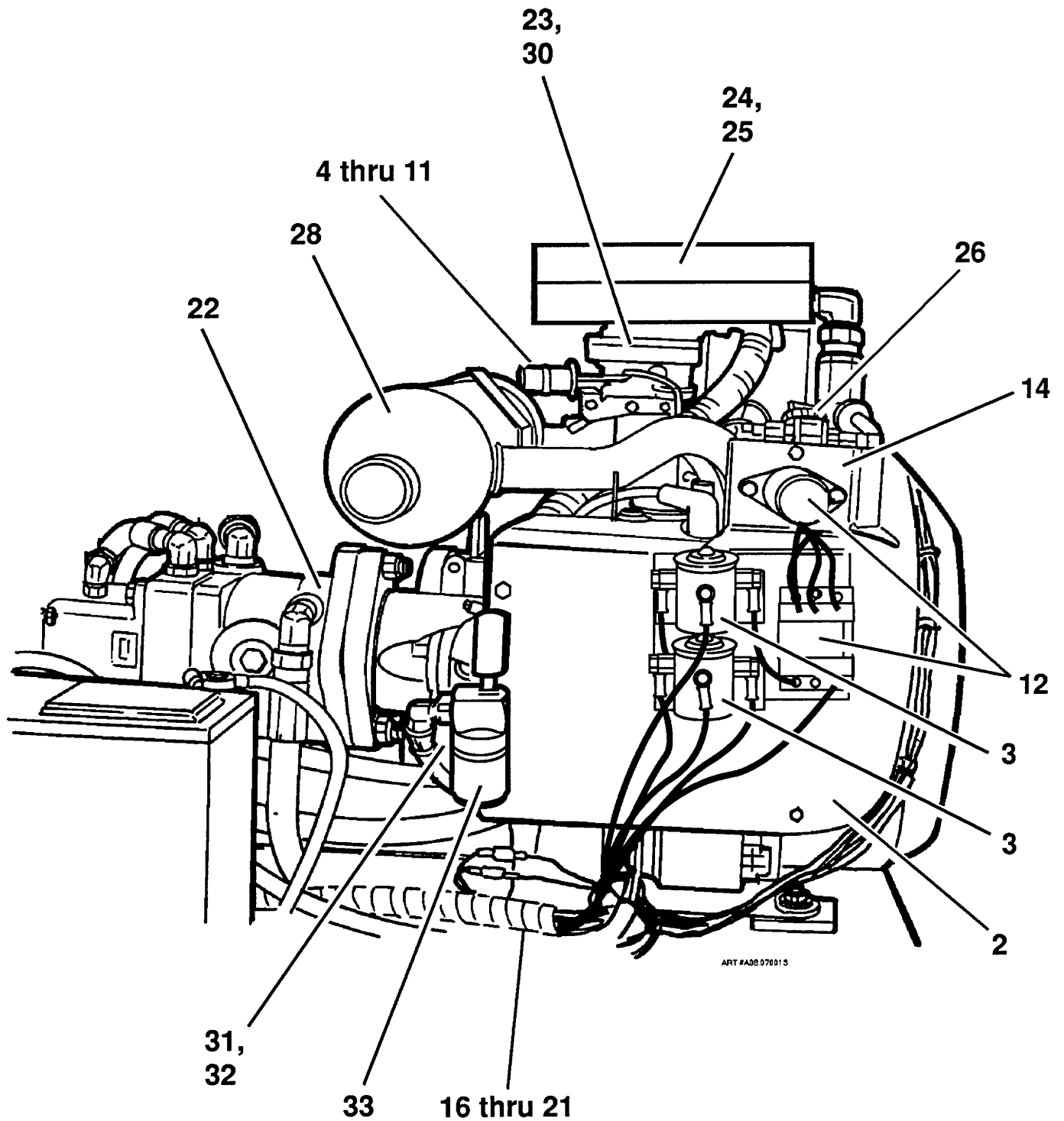
PLATE NO.

08.07

**SIMON AERIALS INC.**

REV. 09/20/90

PART NO.



TITLE

ENGINE ASSEMBLY, ONAN 24 H.P. GAS/ DUAL FUEL

**SIMON AERIALS INC.**

REV. 09/20/90

PART  
NO.

PLATE  
NO.

08.07

## PARTS LIST

ITEM	PART NO	SEE SECTION	DESCRIPTION	QTY.
1	09-033800		ENGINE ASSEMBLY, DIESEL (Perkins Model 3.10) [24 HP (17.9 Kw) @ 3600 RPM]	1
2	09-033804		FILTER, OIL (ref. Perkins # 140516190)	1
3	09-033805		FILTER, FUEL (ref. Perkins # 130366020)	1
4	09-033806		ELEMENT, AIR FILTER (ref. Perkins # 314531124)	1
5	03-051300		RELAY (Single pole, single throw) (one on far side of engine)	3
6	2142610		BRACKET, RELAY MOUNTING (Earlier version, relays mount <b>over</b> bracket mounting holes)	1
	2151630		BRACKET, RELAY MOUNTING (Later version, relays <b>forward of</b> bracket mounting holes)	1
7	03-456800		SOLENOID, THROTTLE (with module) (Not shown. Mounted on far side of engine)	1
7a	2155640		BRACKET, THROTTLE SOLENOID	1
8	2134790		BRACKET, AIR FILTER (filter mounts at <b>rear</b> of engine)	1
	2176360		BRACKET, AIR FILTER (filter mounts at <b>right side</b> of engine)	1
9	09-025000		ELBOW, EXHAUST ( <b>45° angle</b> outlet. Earlier version, for use with <b>horizontal</b> muffler mount at top of superstructure)	1
	2176380		ELBOW, EXHAUST ( <b>Straight</b> outlet. Later version, for use with <b>vertical</b> engine exhaust thru superstructure deck)	1
10	2144040		ADAPTER, EXHAUST (for <b>horizontal</b> muffler mount)	1
11	09-035300		TUBING, FLEX (1-3/4" i.d.) (Bulk item, order as needed)	
			(for <b>horizontal</b> muffler mount)	A.R.
	2144400		TUBING, FLEX [1-3/4" i.d. x 1.9' (57.9 cm) long] (cut length, for <b>horizontal</b> muffler mount)	1
12	2146550		EXTENSION, PIPE [21.5" (54.6 cm)] (for <b>horizontal</b> muffler)	1
13	11-030022		ELBOW, BUTT (for <b>horizontal</b> muffler mount)	2
14	2144380		EXTENSION, PIPE [4" (10.2 cm)] (for <b>horizontal</b> muffler)	1
15	09-001001		MUFFLER, ENGINE EXHAUST (for <b>horizontal</b> mount)	1
	2176410		MUFFLER AND TAILPIPE WELDMENT ( <b>vertical</b> mount)	1
16	2144050		BRACKET, MUFFLER MOUNTING (for <b>horizontal</b> muffler)	1
17	2144390		EXTENSION, PIPE (for <b>horizontal</b> muffler mount)	1
18	09-001800		MOUNT, ENGINE	4
19	07-003586		CAP SCREW, HEX HEAD (1/2"-20 x 1-1/4", Grade 5)	4
20	2135870		PLATE, ENGINE MOUNTING BASE (used with deck having specific engine mounting holes)	1
	2173040		PLATE, ENGINE MOUNTING BASE (used with deck having "universal" engine mount cutout)	1
21	3516330	12.01	PUMP ASSEMBLY, HYDRAULIC	1
22	2141490		COUPLING ASSEMBLY	1
23	02-022600		PLATE, PUMP HOUSING MOUNTING	1
24	03-074000		CABLE ASS'Y., POWER [9-3/4" (24.8 cm) long] (not shown)	1

TITLE ENGINE ASSEMBLY, PERKINS 3.10 DIESEL (PLATE 1 OF 2)

PLATE NO.

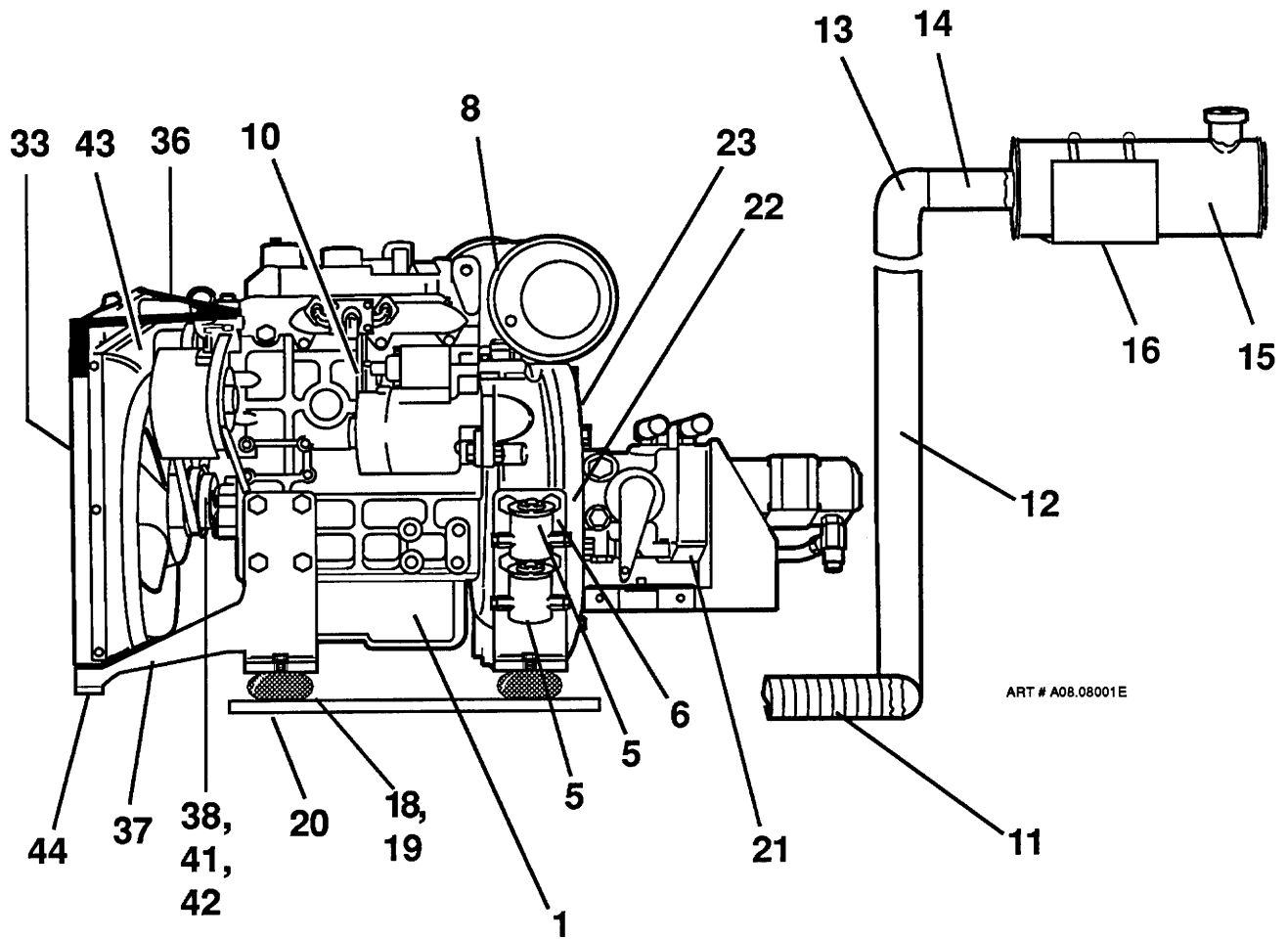
08.08

**SIMON AERIALS INC.**

REV.11 FEB., 1992

PART NO.

3516320



TITLE ENGINE ASSEMBLY, PERKINS 3.10 DIESEL (PLATE 1 OF 2)

**SIMON AERIALS INC.**

REV.11 FEB., 1992

PART NO.

3516320

PLATE NO.

08.08

## PARTS LIST

ITEM	PART NO	SEE SECTION	DESCRIPTION	QTY.
25	03-459600		HARNES, ENGINE WIRE (not shown)	1
26	03-450400		CONNECTOR, MALE (23 conductor)	1
27	03-450900		PIN, TERMINAL	3
28	03-451000		SOCKET, TERMINAL	13
29	03-451100		CONNECTOR (3 conductor)	1
30	03-456000		TERMINAL, SPADE (1/4" female)	1
31	03-457100		WEDGE, 3 PIN CONNECTOR	1
32	03-459200		TERMINAL (1/4" female)	2
<b>The following items (33 thru 47), used with Engine Ass'y. 3516320 (earlier version, fan mounted to crankshaft):</b>				
33	2149460		RADIATOR (modified Perkins part)	1
34	09-041200		HOSE, RADIATOR (upper)	1
35	10-104200		HOSE, RADIATOR [lower, flex, 1-1/8" I.D. x 19" (48 cm)]	1
36	2151600		BRACKET, RADIATOR MOUNTING (Top)	1
37	2143390		BRACKET, RADIATOR MOUNTING (Bottom)	1
38	2135040		ADAPTER, RADIATOR FAN (without engine cooling kit)	1
39	55-000040		COOLING KIT, ENGINE (for Perkins 3.10 engine)	1
40	09-033811		FAN, 7 BLADE (Suction type, replaces Perkins part)	1
41	2163350		ADAPTER, RADIATOR FAN [2" (50.8 mm) thick] (replaces item 38)	1
42	2170090		SPACER, FAN [1/2" (12.7 mm) thick]	1
43	09-033813		SHROUD, FAN (replaces Perkins component)	1
44	2170050		BRACKET, RADIATOR MOUNTING (Bottom, offset)	1
45	09-033812		ISOLATOR (Perkins part)	2
46	07-039005		NUT, HEX (M8-1.25)	2
47	07-066005		WASHER, LOCK (8mm)	2
<b>The following items (33 thru 45), used with later Engine version (fan mounted to water pump):</b>				
33	09-033801		RADIATOR (Perkins part)	1
34			HOSE, RADIATOR (upper) (Perkins part)	1
35			HOSE, RADIATOR (lower) (Perkins part)	1
36			BRACKET, RADIATOR MOUNTING (Top) (Perkins part)	1
37			BRACKET, RADIATOR MOUNTING (Bottom) (Perkins part)	1
38			ADAPTER, RADIATOR FAN (Perkins part)	1
40	09-033803		FAN, 6 BLADE (Perkins part)	1
43	09-033807		SHROUD, FAN (Perkins part)	1
45	09-033812		ISOLATOR (Perkins part)	2

TITLE ENGINE ASSEMBLY, PERKINS 3.10 DIESEL (PLATE 2 OF 2)

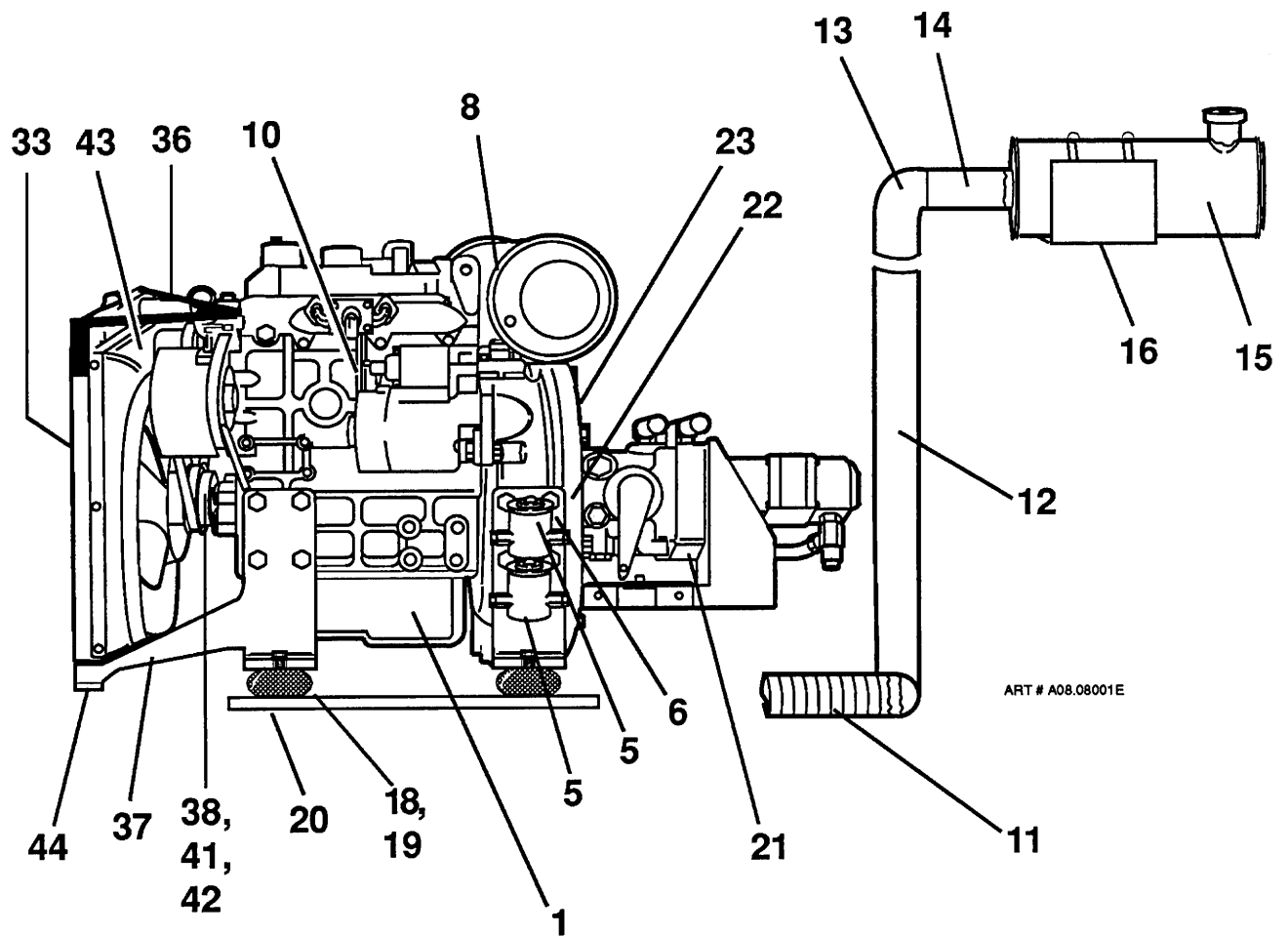
PLATE NO. 08.08

**SIMON AERIALS INC.**

REV.11 FEB., 1992

PART NO. 3516320





TITLE ENGINE ASSEMBLY, PERKINS 3.10 DIESEL (PLATE 2 OF 2)

**SIMON AERIALS INC.**

REV.11 FEB., 1992

PART NO.

3516320

PLATE NO.

08.08

**PARTS LIST**

ITEM	PART NO	SEE SECTION	DESCRIPTION	QTY.
1			BOX ASSEMBLY, PLATFORM ELECTRICAL	1
2	03-436400		BOX, JUNCTION (13-1/4" x 3-1/8" x 2-5/8")	1
3	10-099500		DECAL, PLATFORM ELECTRICAL CONTROL	1
4	07-011355		SCREW, HEX HEAD (#10-24 x 3/4")	4
5	07-050011		NUT, STOP (#10-24)	4
6	03-409800		BUTTON, EMERGENCY STOP	1
7	03-436800		SWITCH, IGNITION (3 position rotary)	2
8	03-437000		SWITCH, 2 POSITION ROTARY (1 maintained, 1 momentary contact)	1
9	03-410000		SWITCH, 2 POSITION ROTARY (2 maintained contact)	1
10	03-437200		BLOCK, CONTACT (Normally open)	4
11	03-437300		BLOCK, CONTACT (Normally closed)	3
12	03-454900		BASE, SWITCH MOUNTING	5
13	03-450100		CONNECTOR, RECEPTACLE (23 conductor)	1
14	03-450900		PIN, TERMINAL	20
15	03-450200		NUT, PANEL	1
16	03-450300		WASHER, LOCK	1
17	03-459700		HARNESS, STEERING WIRE (not shown)	1
18	01-083400	29.05	VALVE, DRIVE CONTROLLER	1
19	03-451100		CONNECTOR, MALE (3 conductor)	1
20	03-451000		SOCKET, TERMINAL	3
21	03-457100		WEDGE, CONNECTOR (3 pin)	1
22	07-003003		SCREW, HEX HEAD (1/4"-20 x 3/4", Grade 5)	2
23	07-050014		NUT, STOP (1/4"-20, Grade 5)	2
24	07-062014		WASHER, FLAT (1/4")	2
25	2133020		BAR, GRAB	2
26	2114330		PLUG (Modified 12 PNTX)	4
27	07-003085		SCREW, HEX HEAD (1/2"-13 x 1", Grade 5)	4
28	07-065018		WASHER, HELICAL LOCK (1/2")	4
29	10-098700		DECAL, PLATFORM CONTROL VALVES	1

TITLE

PLATFORM CONTROL CONSOLE, AT40C

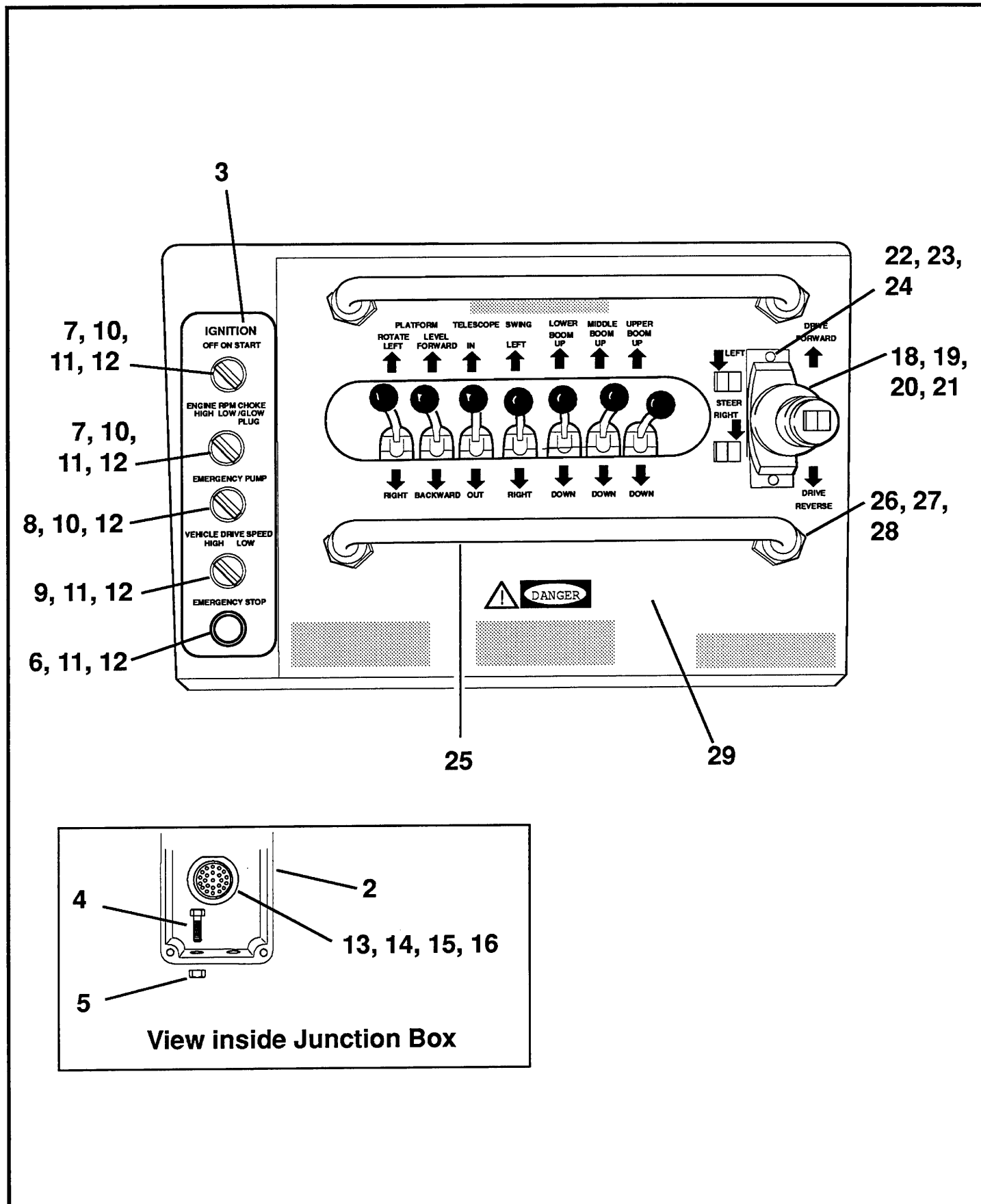
PLATE NO.

09.11

**SIMON AERIALS INC.**

REV. 09/20/90

PART NO.



TITLE PLATFORM CONTROL CONSOLE, AT40C

**SIMON AERIALS INC.**

REV. 09/20/90

PART NO.

PLATE NO.

09.11

## PARTS LIST

ITEM	PART NO	SEE SECTION	DESCRIPTION	QTY.
1	3518680		BOX ASSEMBLY, PLATFORM ELECTRICAL	1
2	03-436400		BOX, JUNCTION (13-1/4" x 3-1/8" x 2-5/8")	1
3	10-107100		DECAL, PLATFORM ELECTRICAL CONTROL	1
4	07-011355		SCREW, HEX HEAD (#10-24 x 3/4")	4
5	07-050011		NUT, STOP (#10-24)	4
6	03-409800		BUTTON, EMERGENCY STOP	1
7	03-436800		SWITCH, IGNITION (3 position rotary)	2
8	03-437000		SWITCH, 2 POSITION ROTARY (1 maintained, 1 momentary contact)	1
9	03-410000		SWITCH, 2 POSITION ROTARY (2 maintained contact)	1
10	03-437200		BLOCK, CONTACT (Normally open)	4
11	03-437300		BLOCK, CONTACT (Normally closed)	3
12	03-454900		BASE, SWITCH MOUNTING	5
13	03-409400		BASE, PILOT LIGHT	1
14	03-463300		LENS, PILOT LIGHT (Red)	1
15	03-409401		BULB, PILOT LIGHT	1
16	03-450100		CONNECTOR, RECEPTACLE (23 conductor)	1
17	03-450900		PIN, TERMINAL	20
18	03-450200		NUT, PANEL	1
19	03-450300		WASHER, LOCK	1
20	03-459700		HARNESS, STEERING WIRE (not shown)	1
21	01-083400	29.05	VALVE, DRIVE CONTROLLER	1
22	03-451100		CONNECTOR, MALE (3 conductor)	1
23	03-451000		SOCKET, TERMINAL	3
24	03-457100		WEDGE, CONNECTOR (3 pin)	1
25	07-003003		SCREW, HEX HEAD (1/4"-20 x 3/4", Grade 5)	2
26	07-050014		NUT, STOP (1/4"-20, Grade 5)	2
27	07-062014		WASHER, FLAT (1/4")	2
28	2133020		BAR, GRAB	2
29	2114330		PLUG (Modified 12 PNTX)	4
30	07-003085		SCREW, HEX HEAD (1/2"-13 x 1", Grade 5)	4
31	07-065018		WASHER, HELICAL LOCK (1/2")	4
32	10-098700		DECAL, PLATFORM CONTROL VALVES	1

TITLE

PLATFORM CONTROL CONSOLE

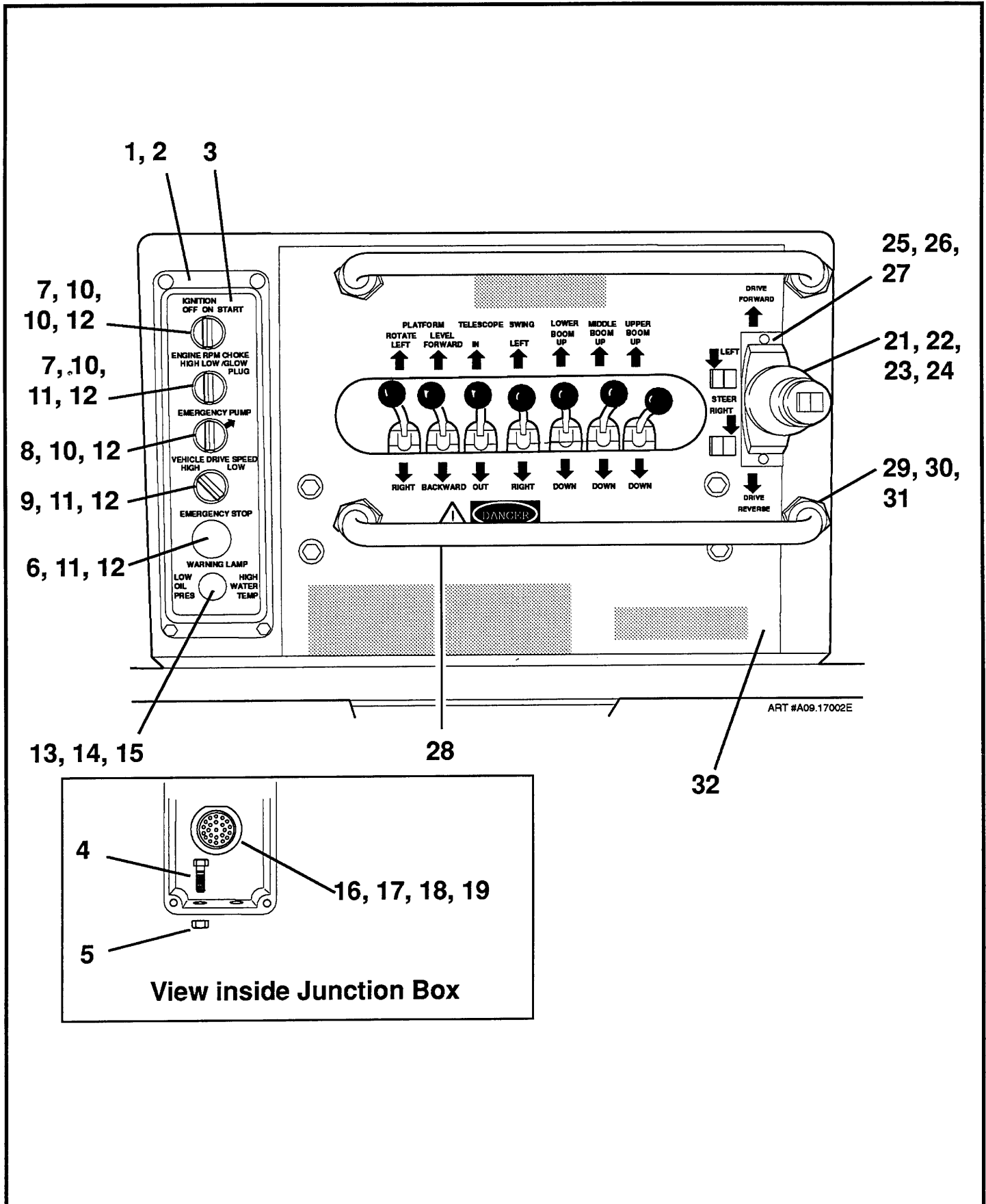
PLATE NO.

09.17

**SIMON AERIALS INC.**

REV. 09/20/90

PART NO.

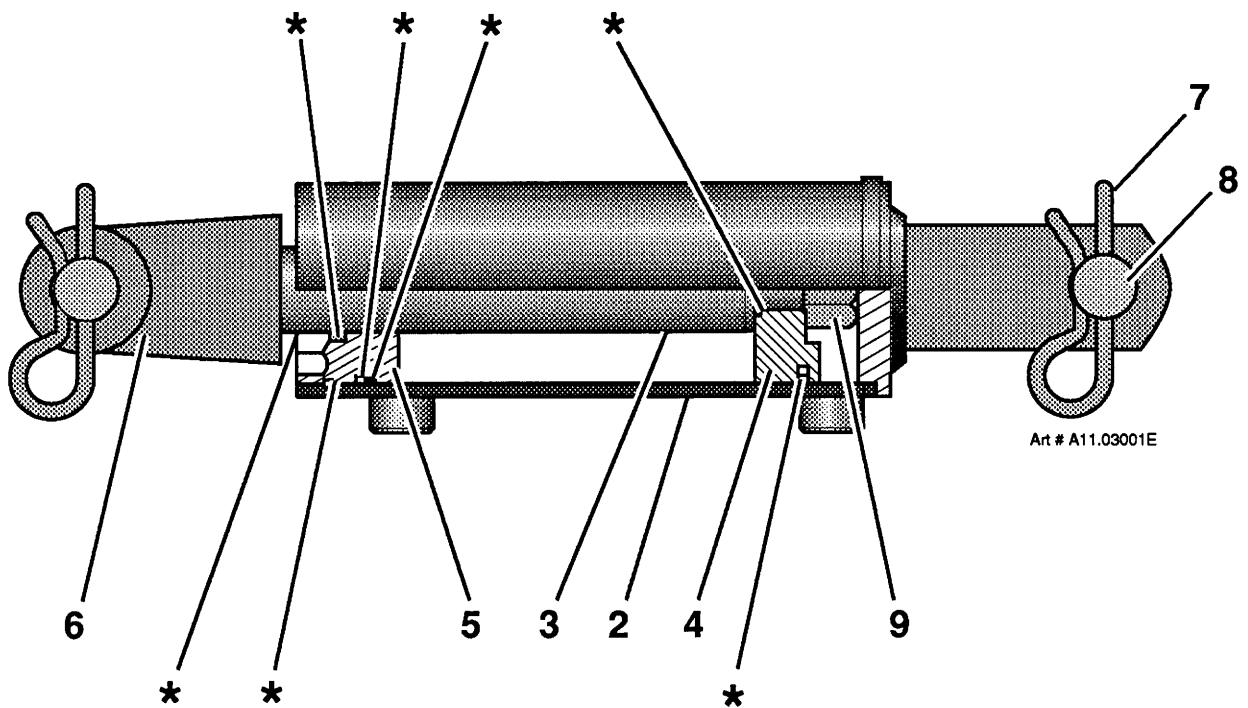


TITLE		PLATFORM CONTROL CONSOLE	
SIMON AERIALS INC.		PART NO.	PLATE NO. 09.17
REV. 09/20/90			

## PARTS LIST

ITEM	PART NO	SEE SECTION	DESCRIPTION	QTY.
1	04-027400		STEER CYLINDER (2-1/2" bore, 1-1/4" rod, 8" stroke)	1
2			BUTT AND TUBE ASSEMBLY	1
3			ROD, PISTON	1
4			PISTON	1
5			GLAND	1
6	04-027402		CLEVIS ASSEMBLY	1
7	04-027403		CLIP, HAIRPIN	4
8	04-027404		PIN, CLEVIS	2
9			NUT, LOCK	1
10	04-027401		SEAL KIT	
<p><b>Note:</b> Seal Kit items marked with asterisk ( * ).</p>				1

<b>TITLE</b>			<b>STEER CYLINDER</b>		
<b>PLATE NO.</b>	11.03	<b>SIMON AERIALS INC.</b>	<table border="0" style="width: 100%;"> <tr> <td style="font-size: small;">REV. 09 SEP., 1993</td> <td style="text-align: right;"><b>PART NO.</b> 04-027400</td> </tr> </table>	REV. 09 SEP., 1993	<b>PART NO.</b> 04-027400
REV. 09 SEP., 1993	<b>PART NO.</b> 04-027400				



TITLE

STEER CYLINDER

**SIMON AERIALS INC.**

REV. 09 SEP., 1993

PART NO. 04-027400

PLATE NO. 11.03

## PARTS LIST

ITEM	PART NO	SEE SECTION	DESCRIPTION	QTY.
1	04-028500		CYLINDER, TELESCOPE (Type 1) <b>Note:</b> On a "Type 1" Cylinder, the port tube has a <b>bend at the end, and enters the cylinder side wall directly.</b>	1
	04-030700		The cylinder serial number, which is stamped on the cylinder side wall, has an <b>"A" prefix.</b> CYLINDER, TELESCOPE (Type 2) <b>Note:</b> On a "Type 2" Cylinder, the port tube <b>has no bend</b> at the end, and enters a <b>cylindrical boss</b> welded to the cylinder side wall. The six-digit cylinder serial number stamped on the cylinder side wall has <b>no "A" prefix.</b>	1
	04-032500		CYLINDER, TELESCOPE (Type 3) <b>Note:</b> On a "Type 3" Cylinder, the port tube <b>has no bend</b> at the end, and enters a <b>round top boss</b> welded to the cylinder side wall. The serial number will be found on a nameplate attached to the holding valve.	1
			<b>Note:</b> When ordering a <b>REPLACEMENT CYLINDER</b> , "Type 3" will be supplied.	
2	04-028302		CARTRIDGE, HOLDING VALVE (for "Type 1" Cylinder)	2
			(for "Type 2" Cylinder)	2
	04-028302		(for "Type 3" Cylinder)	2
3	04-032602		NUT, LOCK (for "Type 3" Cylinder)	1
4	04-032507		PISTON (for "Type 3" Cylinder)	1
5	04-032503		HEAD (for "Type 3" Cylinder)	1
6	04-032506		ROD (for "Type 3" Cylinder)	1
7			SEAL KIT	
	04-028201		(for "Type 1" Cylinder)	1
	04-030401		(for "Type 2" Cylinder)	1
	04-032501		(for "Type 3" Cylinder)	1
			The following items are <b>not included</b> as part of the Telescope Cylinder Assembly:	
8	06-044400		ELBOW, STRAIGHT THREAD (4-6 C50X)	4
9	2140920		GUIDE WELDMENT, TELESCOPE CYLINDER	2
10	07-003043		SCREW, HEX HEAD (3/8"-16 x 3/4", Grade 5)	4
11	07-065016		WASHER, HELICAL LOCK (3/8")	4

TITLE TELESCOPE (EXTEND) CYLINDER

PLATE NO.

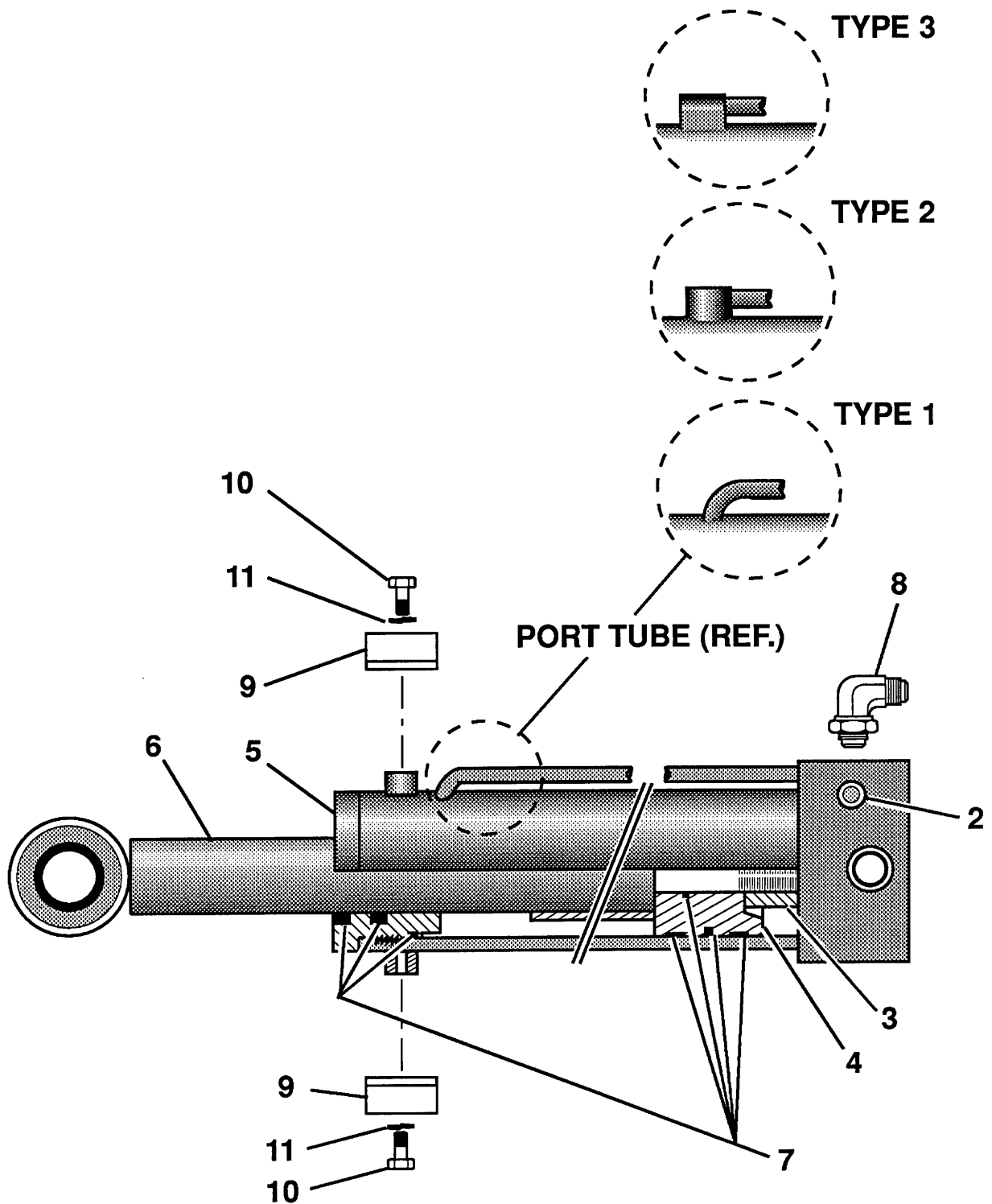
11.04

**SIMON AERIALS INC.**

REV. 19 FEB., 1992

PART NO.





TITLE

TELESCOPE (EXTEND) CYLINDER

**SIMON AERIALS INC.**

REV. 19 FEB., 1992

PART  
NO.

PLATE  
NO.

11.04

## PARTS LIST

ITEM	PART NO	SEE SECTION	DESCRIPTION	QTY.
1	04-028400		CYLINDER, LIFT (Type 1) (2.50" bore, for lower & mid boom)	1
	04-030100		CYLINDER, LIFT (Type 1) (2.50" bore, for upper boom)	1
			<b>Note:</b> On a "Type 1" Cylinder, the port tube has a <b>bend at the end</b> , and <b>enters the cylinder side wall directly</b> . The cylinder serial number, which is stamped on the cylinder side wall, has an <b>"A" prefix</b> .	
	04-030600		CYLINDER, LIFT (Type 2) (2.50" bore)	1
			<b>Note:</b> On a "Type 2" Cylinder, the port tube <b>has no bend</b> at the end, and enters a <b>cylindrical boss</b> welded to the cylinder side wall. The six-digit cylinder serial number stamped on the cylinder side wall has <b>no "A" prefix</b> .	
	04-032400		CYLINDER, LIFT (Type 3) (2.50" bore)	1
	04-033100		CYLINDER, LIFT (Type 4) (3.00" bore)	1
			<b>Note:</b> On a "Type 3" or "Type 4" Cylinder, the port tube <b>has no bend</b> at the end, and enters a <b>round top boss</b> welded to the cylinder side wall. The serial number will be found on a nameplate attached to the cylinder barrel.	
			<b>Note:</b> When ordering a <b>Lower Boom</b> or <b>Mid Boom REPLACEMENT CYLINDER</b> , "Type 3" will be supplied. When ordering an <b>Upper Boom REPLACEMENT CYLINDER</b> , specify Model and Serial No. of machine. "Type 3" (2.50" bore) or "Type 4" (3.00" bore) will be supplied as required to fit the application.	
2	04-028202		CARTRIDGE, COUNTERBALANCE VALVE (for "Type 1" Cylinder)	2
	04-030502		(for "Type 2" Cylinder)	2
	04-028302		(for "Type 3" or "Type 4" Cylinder) (stamped "CBCG-LJN", and factory set at 3000 PSI [207 Bar] [211 Kg/ cm <sup>2</sup> ])	2
3	04-032402		NUT, LOCK (for "Type 3" Cylinder)	1
	04-033102		NUT, LOCK (for "Type 4" Cylinder)	1
4	04-032403		PISTON (for "Type 3" Cylinder)	1
	04-033103		PISTON (for "Type 4" Cylinder)	1
5	04-032404		HEAD (for "Type 3" Cylinder)	1
	04-033104		HEAD (for "Type 4" Cylinder)	1
6	04-032405		ROD (for "Type 3" Cylinder)	1
	04-033105		ROD (for "Type 4" Cylinder)	1
7	04-032401		BUSHING (for "Type 3" Cylinder)	4
	04-033106		BUSHING (for "Type 4" Cylinder)	4

TITLE

LIFT CYLINDER (PLATE 1 OF 2)

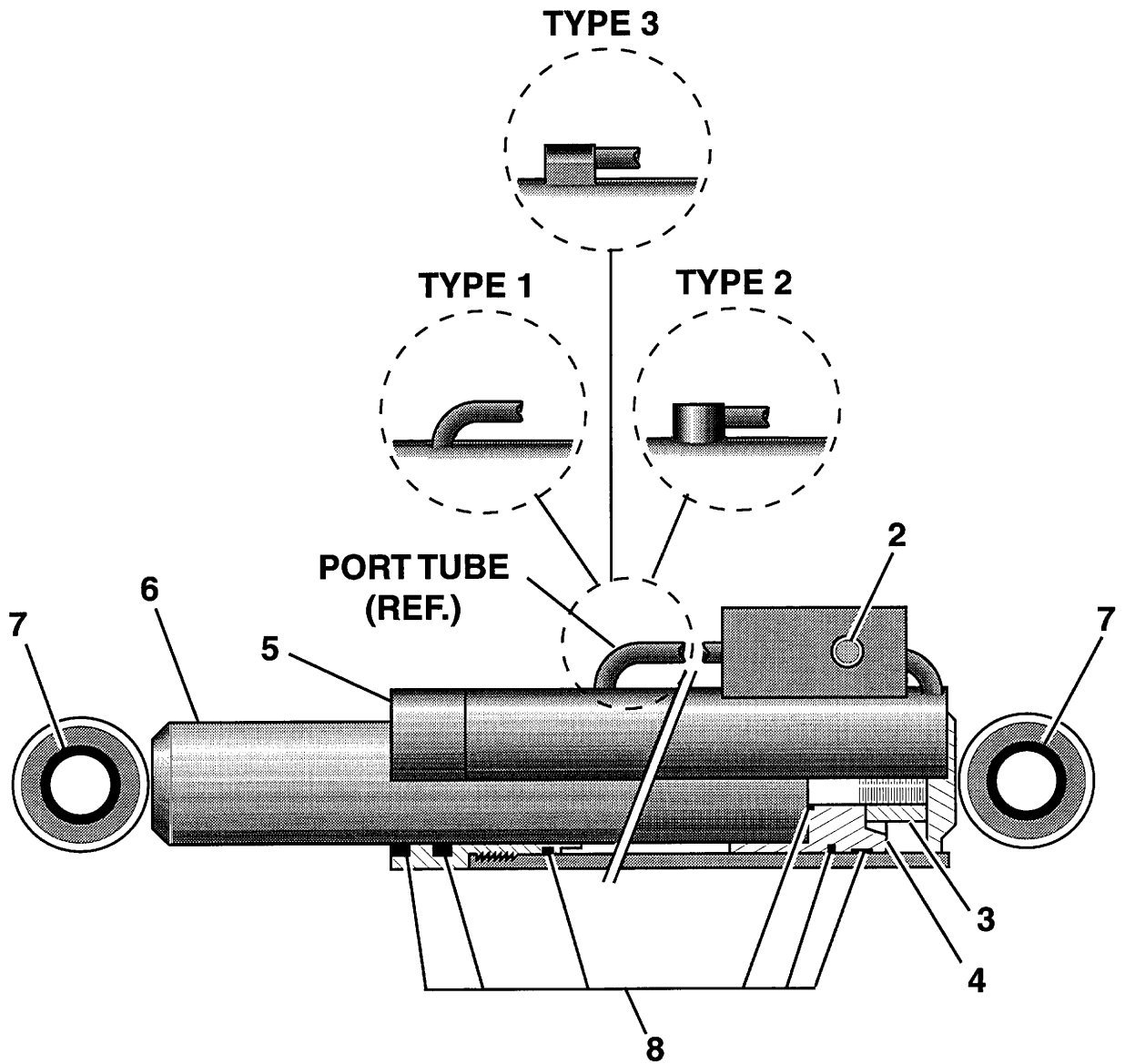
PLATE NO.

11.05

**SIMON AERIALS INC.**

REV. 06 MAY, 1995

PART NO.

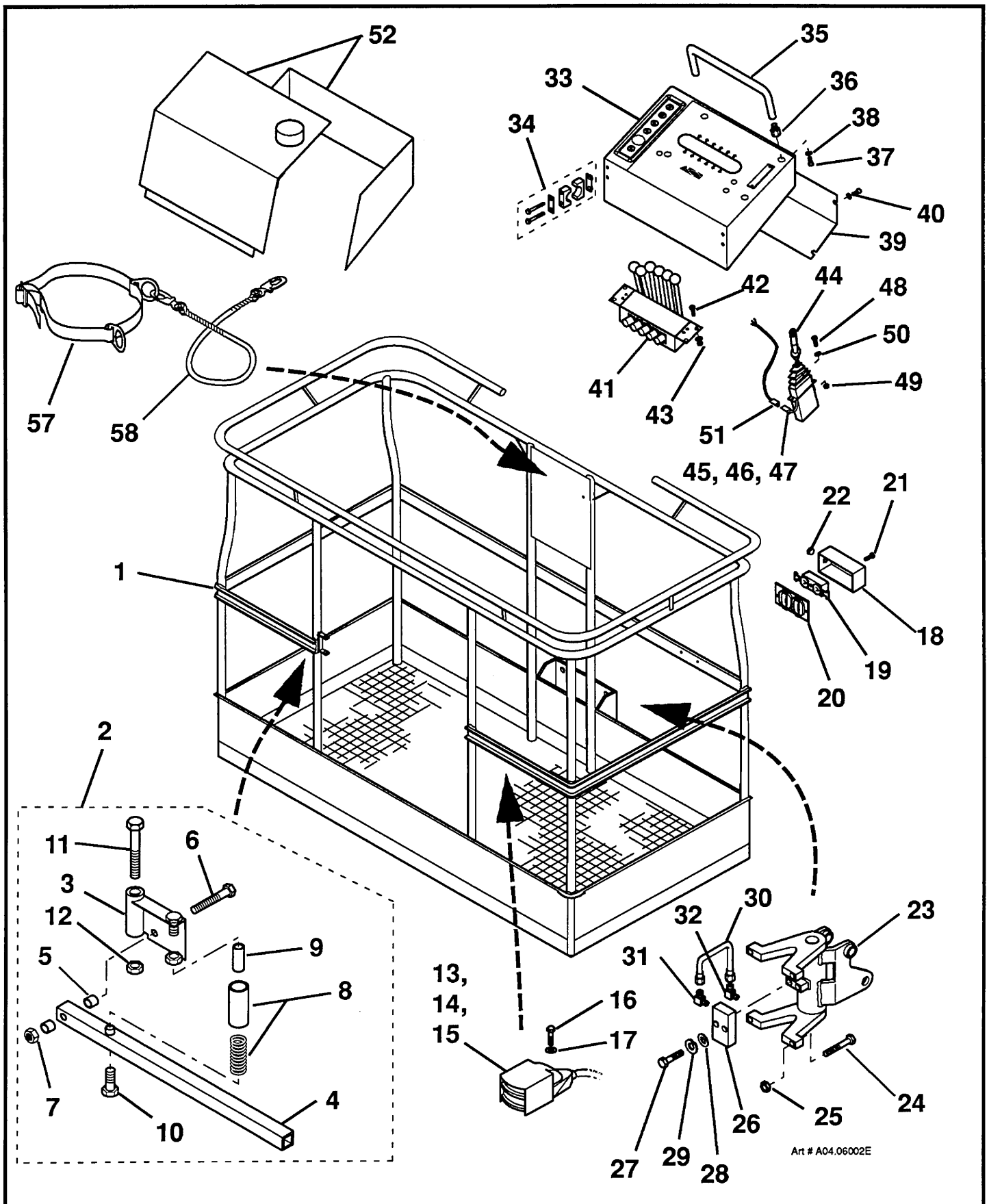


TITLE	LIFT CYLINDER (PLATE 1 OF 2)	
SIMON AERIALS INC.	REV. 06 MAY, 1995	PART NO. _____ PLATE NO. 11.05

## PARTS LIST

ITEM	PART NO	SEE SECTION	DESCRIPTION	QTY.
8	04-028201		SEAL KIT (for "Type 1" Cylinder)	1
	04-030601		(for "Type 2" Cylinder)	1
	04-032401		(for "Type 3" Cylinder)	1
	04-033101		(for "Type 4" Cylinder)	1
			The following items are <b>not included</b> as part of the Lift Cylinder Assembly:	
9	06-044400		ELBOW, STRAIGHT THREAD (4-6 C50X)	4
10	08-051300		FITTING, GREASE (1/8" x 90°)	2
11	08-066300		CAP, GREASE FITTING (White plastic)	2

**TITLE** LIFT CYLINDER (PLATE 2 OF 2)



Art # A04.06002E

TITLE

PLATFORM ASSEMBLY (PLATE 2 OF 2)

**SIMON AERIALS INC.**

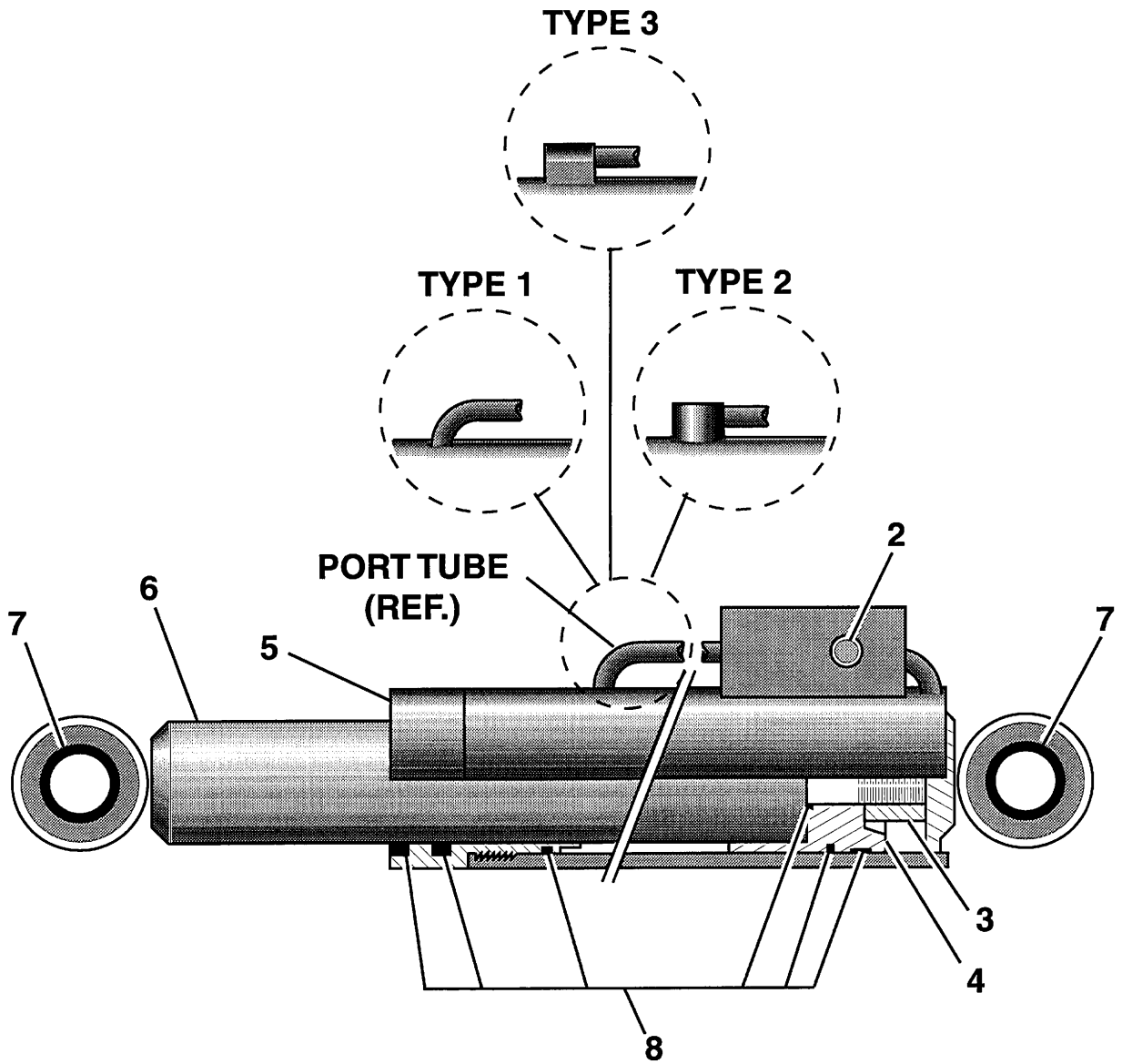
REV. 02 SEP., 1993

PART NO.

3515200

PLATE NO.

04.06



TITLE

LIFT CYLINDER (PLATE 2 OF 2)

**SIMON AERIALS INC.**

REV. 06 MAY, 1995

PART  
NO.

PLATE  
NO. 11.05

## PARTS LIST

ITEM	PART NO	SEE SECTION	DESCRIPTION	QTY.
1	04-028200		CYLINDER, MASTER (Type 1) <b>Note:</b> On a "Type 1" Cylinder, the port tube has a <b>bend at the end, and enters the cylinder side wall directly.</b> The cylinder serial number, which is stamped on the cylinder side wall, has an <b>"A" prefix.</b>	1
	04-030400		CYLINDER, MASTER (Type 2) <b>Note:</b> On a "Type 2" Cylinder, the port tube <b>has no bend</b> at the end, and enters a <b>cylindrical boss</b> welded to the cylinder side wall. The six-digit cylinder serial number stamped on the cylinder side wall has <b>no "A" prefix.</b>	1
	04-032600		CYLINDER, MASTER (Type 3) <b>Note:</b> On a "Type 3" Cylinder, the port tube <b>has no bend</b> at the end, and enters a <b>round top boss</b> welded to the cylinder side wall. The serial number will be found on a nameplate attached to the holding valve.  <b>Note:</b> When ordering a <b>REPLACEMENT CYLINDER</b> , "Type 3" will be supplied.	1
2	04-028202		CARTRIDGE, HOLDING VALVE (for "Type 1" Cylinder)	2
	04-028202		(for "Type 2" Cylinder)	2
	04-028202		(for "Type 3" Cylinder)	2
3	04-028204		SEAL KIT, HOLDING VALVE	1
4	04-032602		NUT, LOCK (for "Type 3" Cylinder)	1
5	04-032603		PISTON (for "Type 3" Cylinder)	1
6	04-032604		HEAD (for "Type 3" Cylinder)	1
7	04-032605		ROD (for "Type 3" Cylinder)	1
8	04-032606		BUSHING (for "Type 3" Cylinder)	4
9			SEAL KIT (for "Type 1" Cylinder)	1
	04-030401		(for "Type 2" Cylinder)	1
	04-032601		(for "Type 3" Cylinder)	1
			The following items are not included as part of the Master Cylinder Assembly:	
10	06-044400		ELBOW, STRAIGHT THREAD (4-6 C50X-S)	2
11	06-039300		CONNECTOR, STRAIGHT THREAD (4 F50X-S)	1
12	06-039500		ADAPTER (4-6 F50X-S)	1
13	08-050000		FITTING, GREASE (1/8", Straight)	1
14	08-051300		FITTING, GREASE (1/8" x 90°)	1
15	08-066300		CAP, GREASE (white plastic)	2

TITLE

MASTER CYLINDER

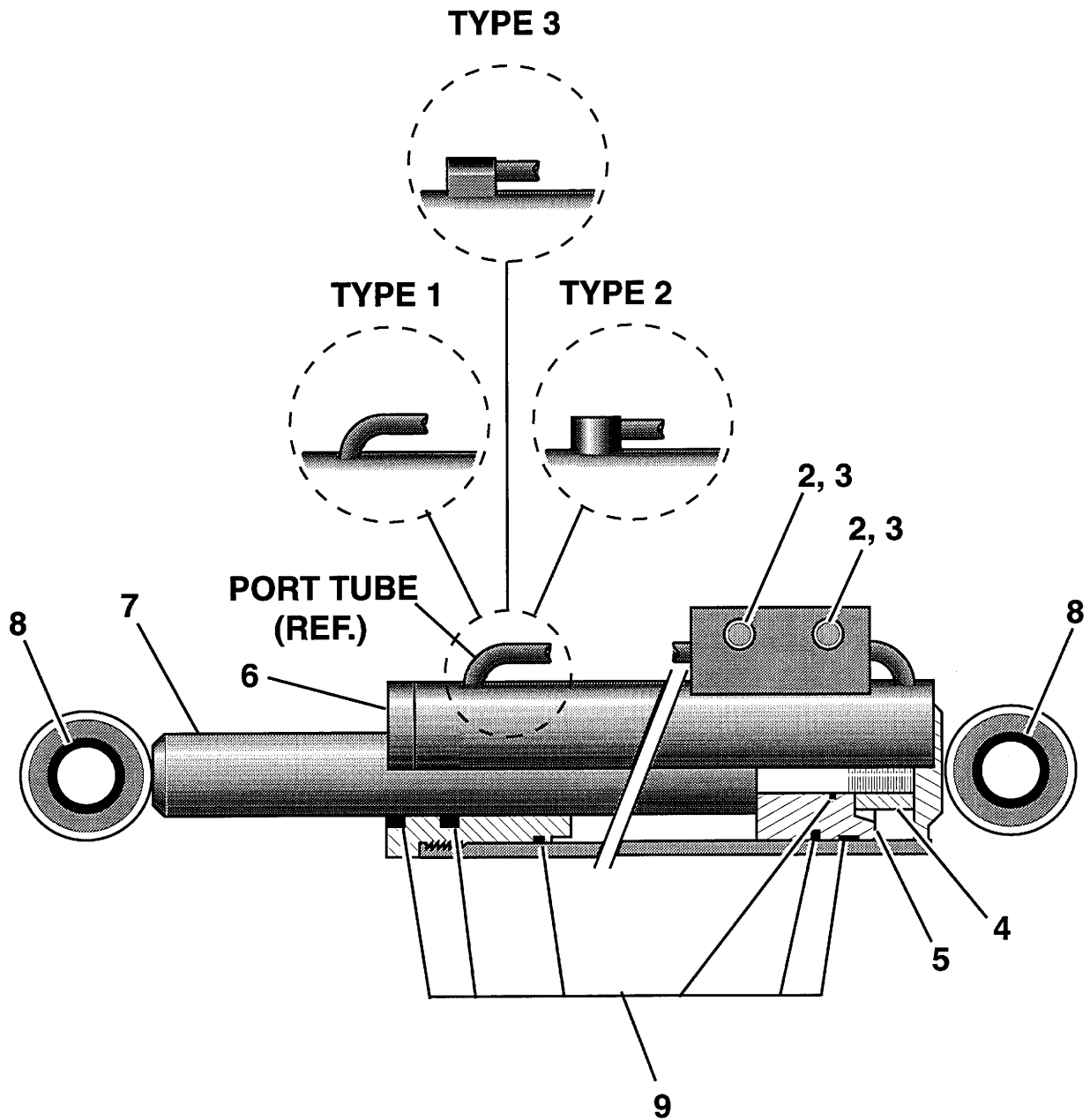
PLATE NO.

11.06

**SIMON AERIALS INC.**

REV. 24 MAR., 1995

PART NO.



TITLE

MASTER CYLINDER

**SIMON AERIALS INC.**

REV. 24 MAR., 1995

PART  
NO.

PLATE  
NO. 11.06



## PARTS LIST

ITEM	PART NO	SEE SECTION	DESCRIPTION	QTY.
1	04-028300		CYLINDER, SLAVE (Type 1) <b>Note:</b> On a "Type 1" Cylinder, the port tube has a <b>bend at the end, and enters the cylinder side wall directly.</b>	1
	04-030500		The cylinder serial number, which is stamped on the cylinder side wall, has an "A" prefix. CYLINDER, SLAVE (Type 2) <b>Note:</b> On a "Type 2" Cylinder, the port tube <b>has no bend</b> at the end, and enters a <b>cylindrical boss</b> welded to the cylinder side wall. The six-digit cylinder serial number stamped on the cylinder side wall has <b>no "A" prefix.</b>	1
	04-032700		CYLINDER, SLAVE (Type 3) <b>Note:</b> On a "Type 3" Cylinder, the port tube <b>has no bend</b> at the end, and enters a <b>round top boss</b> welded to the cylinder side wall. The cylinder can also be identified by the Part Number "04032700SH" on a nameplate located on the valve block, along with the serial number.	1
			<b>Note:</b> When ordering a <b>REPLACEMENT CYLINDER</b> , "Type 3" will be supplied.	
2			CARTRIDGE, HOLDING VALVE (Counterbalance Valve)	
	04-028302		for "Type 1" Cylinder	2
	04-030502		for "Type 2" Cylinder	2
			for "Type 3" Cylinder	2
	04-028302		Type 3a (Valve is stamped "CB-CG-LJN")	2
	01-227200		Type 3b [Valve is stamped "CB-CB-LHN", and set at 3,000 PSI (207 Bar) (211 Kg/ cm <sup>2</sup> )]	2
			<b>Note:</b> "Type 1" and "Type 2" holding valves are directly interchangeable, but <b>must be replaced in pairs.</b> When ordering a replacement holding valve, <b>(2) of "Type 3b"</b> will be supplied unless otherwise specified.	
3			SEAL KIT, COUNTERBALANCE VALVE	
	04-028303		(for Holding Valve for "Type 1" Cylinder)	1
	04-028303		(for "Type 3a" Holding Valve)	1
	01-227201		(for "Type 3b" Holding Valve)	1
4	04-032602		NUT, LOCK (for "Type 3" Cylinder)	1
5	04-032603		PISTON (for "Type 3" Cylinder)	1
6	04-032605		ROD (for "Type 3" Cylinder)	1
7	04-028301		BUSHING (for "Type 1" Cylinder)	4
	04-030504		BUSHING (for "Type 2" Cylinder)	4
	04-032606		BUSHING (for "Type 3" Cylinder)	4

TITLE

SLAVE CYLINDER (PLATE 1 OF 2)

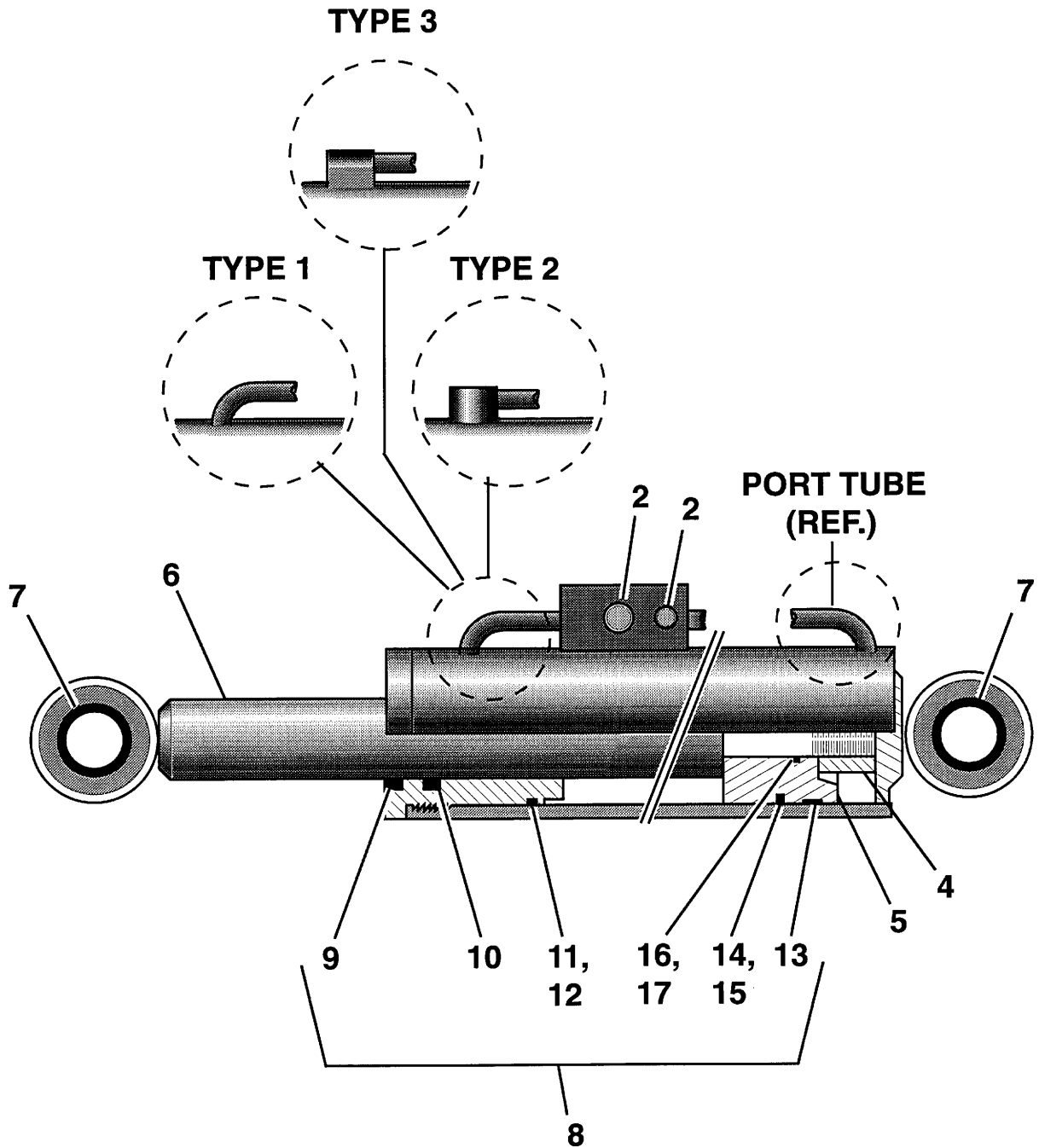
PLATE NO.

11.07

**SIMON AERIALS INC.**

REV. 15 OCT., 1993

PART NO.



TITLE

SLAVE CYLINDER (PLATE 1 OF 2)

**SIMON AERIALS INC.**

REV. 15 OCT., 1993

PART  
NO.

PLATE  
NO.

11.07

## PARTS LIST

ITEM	PART NO	SEE SECTION	DESCRIPTION	QTY.
8	04-028201		SEAL KIT (for "Type 1" Cylinder)	1
	04-030401		SEAL KIT (for "Type 2" Cylinder)	1
	04-032701		SEAL KIT (for "Type 3" Cylinder)	1
9			WIPER, ROD	1
10			SEAL, ROD	1
11			"O"-RING	1
12			RING, BACKUP	1
13			RING, PISTON WEAR	1
14			"O"-RING	1
15			SEAL, PISTON	1
16			"O"-RING	1
17			WASHER, BACKUP	1
			The following items are not included as part of the Slave Cylinder Assembly:	
18	06-044400		ELBOW, STRAIGHT THREAD (4-6 C50X)	2
19	08-051300		FITTING, GREASE (1/8" x 90°)	2
20	08-066300		CAP, GREASE FITTING (white plastic)	2

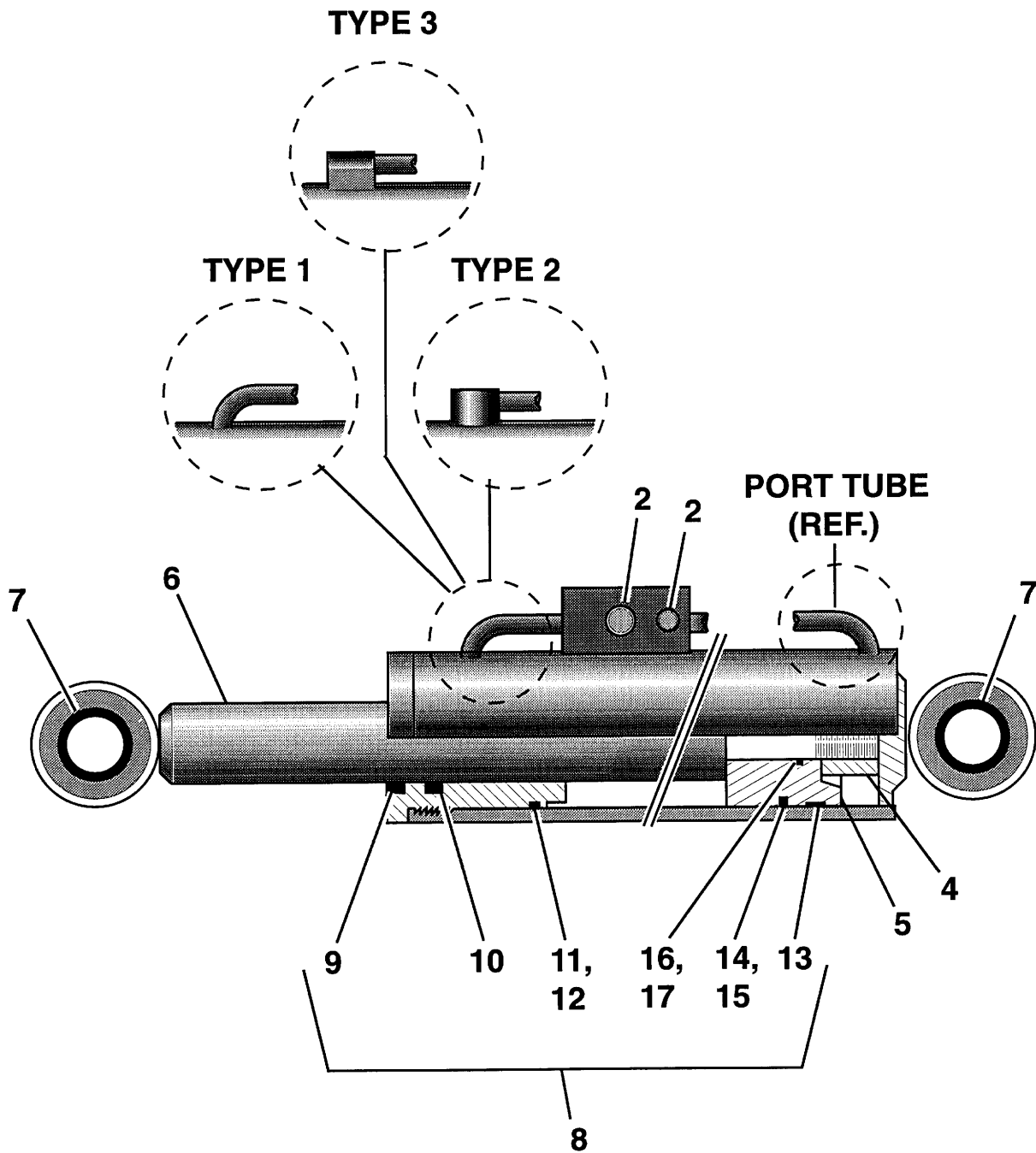
TITLE SLAVE CYLINDER (PLATE 2 OF 2)

PLATE NO. 11.07

**SIMON AERIALS INC.**

REV. 15 OCT., 1993

PART NO.



TITLE

SLAVE CYLINDER (PLATE 2 OF 2)

**SIMON AERIALS INC.**

REV. 15 OCT., 1993

PART  
NO.

PLATE  
NO.

11.07

# PARTS LIST

ITEM	PART NO	SEE SECTION	DESCRIPTION	QTY.
1	07-090121		CAP SCREW, SOCKET HEAD (M6-1 x 50 mm)	1
2			RING, RETAINING	2
3	2129010		CLEVIS	1
4	08-062000		BUSHING (8 mm O.D.)	1
5	01-063101		SEAL KIT	1

TITLE

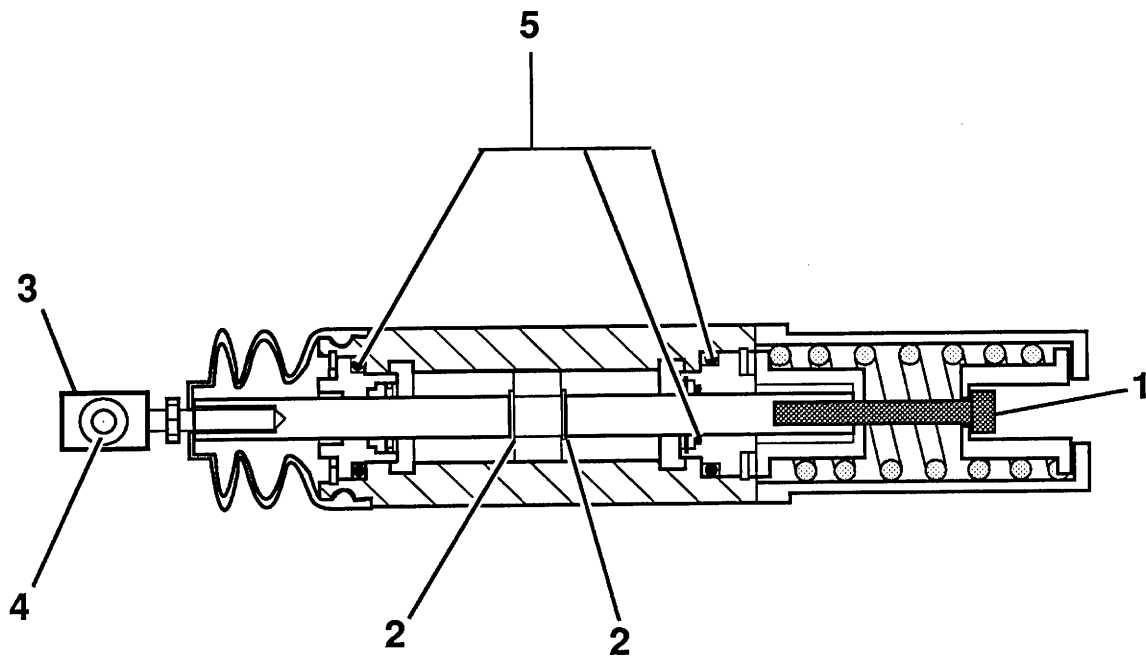
ACTUATOR CYLINDER (TYPE 1)

PLATE NO. 11.09

SIMON AERIALS INC.

REV. 19 FEB., 1992

PART NO. 01-063100



TITLE

ACTUATOR CYLINDER (TYPE 1)

**SIMON AERIALS INC.**

REV. 19 FEB., 1992

PART  
NO.

01-063100

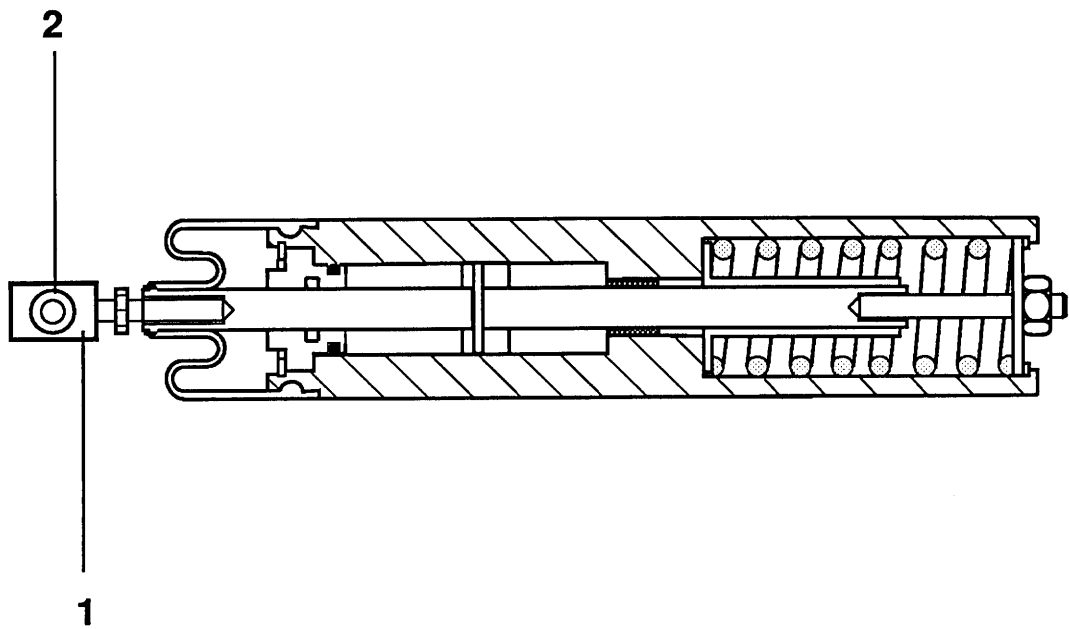
PLATE  
NO.

11.09

## PARTS LIST

ITEM	PART NO	SEE SECT.	DESCRIPTION	QTY.
1	2149310		CLEVIS [with 8 mm (.315") hole for bushing or master link]	1
			CLEVIS [with 1/4" (6.4 mm) hole for bushing or master link]	1
2	08-062000		BUSHING [8 mm (.315") O.D.]	1
	08-066000		BUSHING [1/4" (6.4 mm) O.D.]	1
3	04-030001		SEAL KIT	1

TITLE ACTUATOR CYLINDER



TITLE

ACTUATOR CYLINDER

**SIMON AERIALS INC.**

REV.05/01/90

PART  
NO.

04-030000

PLATE  
NO.

11.10



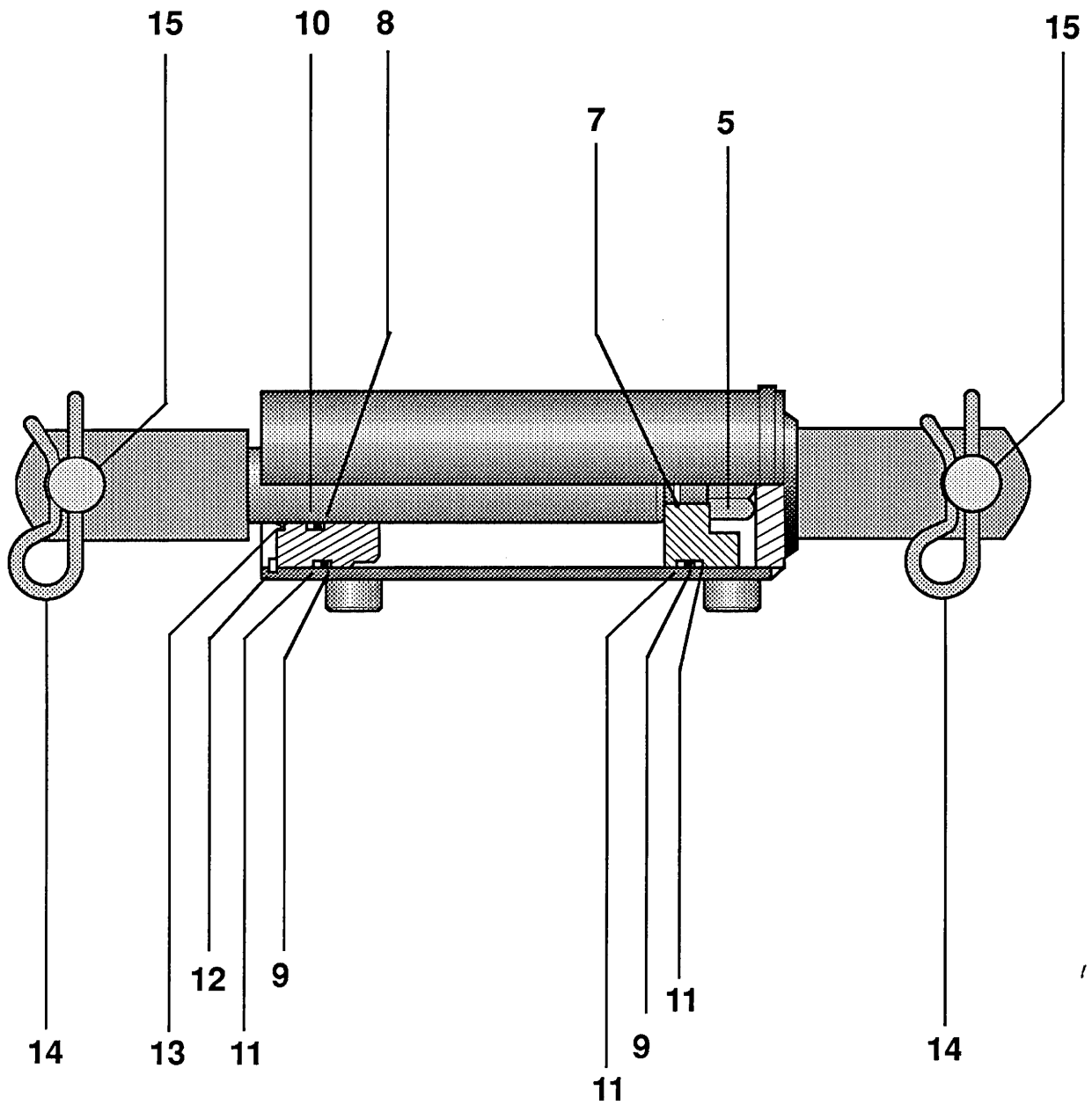
## PARTS LIST

ITEM	PART NO	SEE SECT.	DESCRIPTION	QTY.
1			CYLINDER BODY	1
2			ROD ASSEMBLY, PISTON (INCLUDES CLEVIS)	1
3			PISTON	1
4			GUIDE, PISTON ROD	1
5			NUT, LOCK	1
6	04-030201		SEAL KIT	1
7			O-RING (3/4" I.D.)	1
8			O-RING (1-1/8" I.D.)	1
9			O-RING (2-1/2" O.D.)	1
10			WASHER, BACKUP (1-1/8" I.D.)	1
11			WASHER, BACKUP (2-1/2" O.D.)	3
12			RING, RETAINING	1
13			WIPER, ROD	1
THE FOLLOWING PARTS ARE <b>NOT INCLUDED</b> AS PART OF THE CYLINDER ASSEMBLY:				
14			CLIP, HAIRPIN	4
15			PIN, CLEVIS	2

TITLE STEER CYLINDER

PLATE NO. 11.11 **SIMON AERIALS INC.**

PART NO. 04-030200



TITLE

STEER CYLINDER

**SIMON AERIALS INC.**

PART NO.

04-030200

PLATE NO.

11.11

## PARTS LIST

ITEM	PART NO	SEE SECTION	DESCRIPTION	QTY.
	3516300 3516330		PUMP ASSEMBLY, HYDRAULIC with Onan engine with Deutz, Isuzu, Kubota, or Perkins engine with Wisconsin engine	
1	01-079300	12.02	PUMP, HYDRAULIC	1
2	07-008087		CAP SCREW, SOCKET HEAD (1/2"-13 x 1-1/2", Grade 8)	2
3	07-065018		WASHER, HELICAL LOCK (1/2")	2
4	2164080		ARM, STROKE (later type, with no microswitch actuator) [w/ 1/4" (6.4 mm) dia. hole for master link bushing]	1
	2128870		ARM, STROKE (earlier type, with microswitch actuator) [w/ 1/4" (6.4 mm) dia. hole for master link bushing]	1
5	08-066000		[w/ 8 mm (.315") dia. hole for master link bushing] BUSHING, BRONZE [1/4" (6.4 mm) O.D.]	2
	08-062000		BUSHING, BRONZE [8 mm (.315") O.D.]	2
6	02-020600		LINK, MASTER (Type 4, supercedes three earlier types) <b>Note:</b> Assembled with cotter pins. Stroke arm and actuator cylinder clevis <b>must have bushings (Item 5).</b>	1
			LINK, MASTER (Type 1) <b>Note:</b> Assembled with a "hairpin" clip. Stroke arm and actuator cylinder clevis <b>have bushings.</b>	
			LINK, MASTER (Type 2) <b>Note:</b> Assembled with (2) .25" dia. shoulder bolts. <b>1/4" bushings have been removed</b> from clevises.	
			LINK, MASTER (Type 3) <b>Note:</b> Assembled with (2) 8 mm dia. shoulder bolts. <b>8mm bushings have been removed</b> from clevises.	
7	01-063100	11.09	CYLINDER, ACTUATOR Type 1, spring is in round housing	1
	04-030000	11.10	Type 2, spring is in square barrel	1
8	2149310		CLEVIS, ACTUATOR CYLINDER [w/ 1/4" (6.4 mm) dia. hole for master link bushing] [w/ 8 mm (.315") dia. hole for master link bushing]	1
9	07-008356		CAP SCREW, SOCKET HEAD (#10-24 x 1-3/4", Grade 8)	2
10	01-013800		VALVE, SHUTTLE	1
11	06-039500		ADAPTER, "O"-RING TO 37° (4-6 F50X-S)	2
12	2133030		TUBE ASSEMBLY	2
13	2173740		RUN TEE, ORIFICED (modified 4 R50X-S)	2
14	06-044400		ELBOW, STRAIGHT THREAD (4-6 C50X-S)	1
15	2175730		ADAPTER, ORIFICED (modified 4 F50X-S)	1

TITLE

PUMP ASSEMBLY, HYDRAULIC (PLATE 1 OF 2)

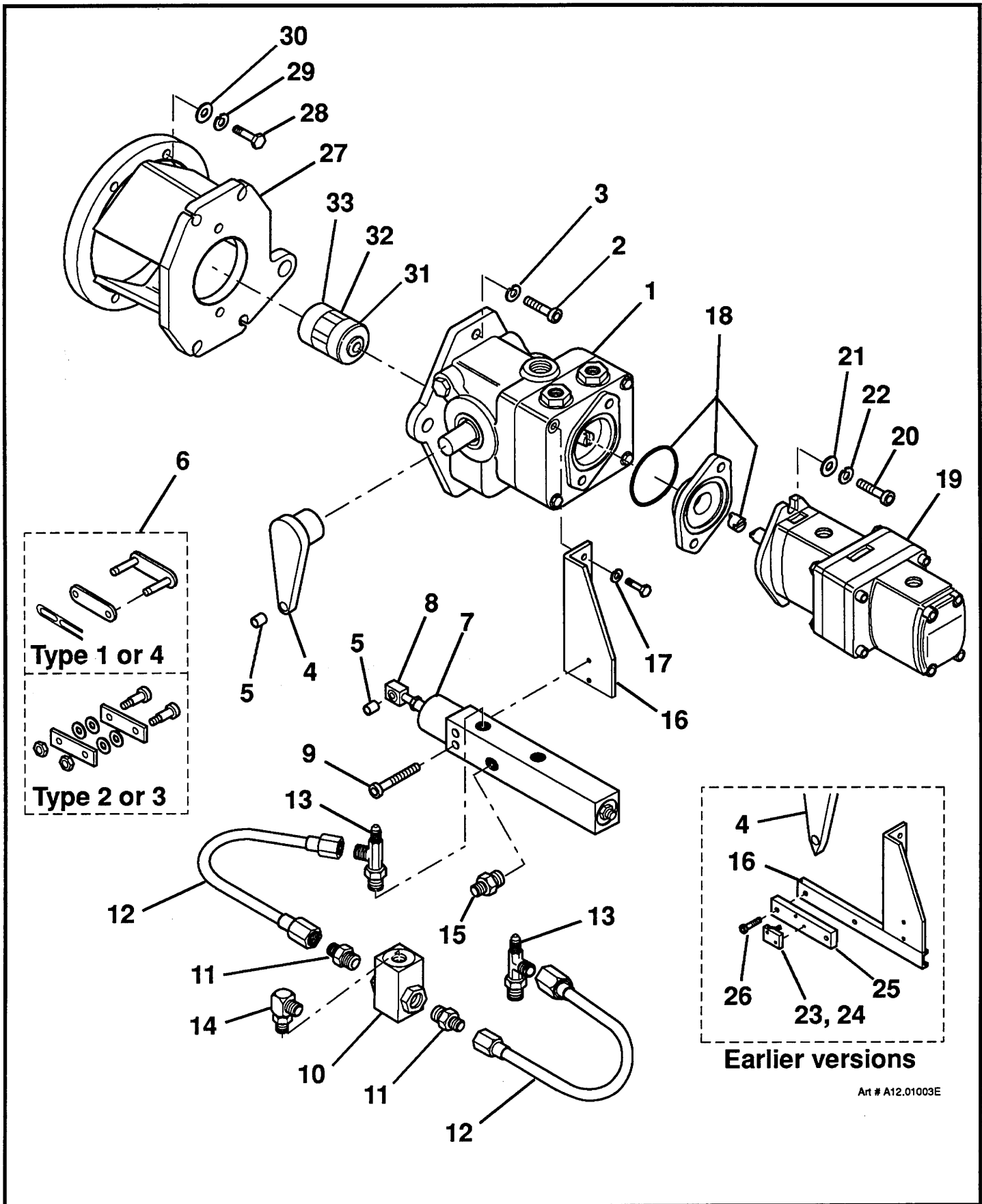
PLATE NO.

12.01

**SIMON AERIALS INC.**

REV. 16 AUG., 1993

PART NO.



Art # A12.01003E

TITLE

PUMP ASSEMBLY, HYDRAULIC (PLATE 1 OF 2)

**SIMON AERIALS INC.**

REV. 16 AUG., 1993

PART NO.

PLATE NO.

12.01

## PARTS LIST

ITEM	PART NO	SEE SECTION	DESCRIPTION	QTY.
16	2133290		BRACKET ASSEMBLY, STROKE CYLINDER MOUNTING Later type, used without microswitch	1
	2133270		Earlier type, with bracket for neutral start microswitch	1
17	07-065016		WASHER, HELICAL LOCK (3/8")	2
18	01-079800		ADAPTER KIT, TANG DRIVE	1
19	01-080300		PUMP, HYDRAULIC TANDEM	1
20	07-003047		CAP SCREW, HEX HEAD (3/8"-16 x 1-1/2", Grade 5)	2
21	07-062016		WASHER, FLAT (3/8")	2
22	07-065016		WASHER, HELICAL LOCK (3/8")	2
23	03-065000		MICROSWITCH (Neutral start) (earlier models)	1
24	03-026500		ACTUATOR, SWITCH (bolt on) (earlier models)	1
25	2134040		BLOCK, MICROSWITCH MOUNTING (earlier models)	1
26	07-013383		MACHINE SCREW, ROUND HEAD (#4-40 x 3/4", Grade 2)	2
27			ADAPTER, DRIVE PUMP	
	02-022600		with Deutz, Isuzu, Kubota, or Perkins engines	1
	02-022700		with Onan engine	1
	2169570		with Wisconsin engine	1
28			CAP SCREW	
	07-003069		with Wisconsin engine (7/16"-14 x 2" Hex head, Grade 5)	4
	07-008049		except Wisconsin engine (3/8"-16 x 2" Socket head, Gr. 8)	4
29	07-065017		WASHER, HELICAL LOCK (7/16")	4
	07-065016		WASHER, HELICAL LOCK (3/8")	4
30	07-062017		WASHER, FLAT (7/16")	4
31	02-022300		COUPLING ASSEMBLY	
			(with Deutz, Isuzu, Kubota, or Perkins engines)	1
	02-018000		COUPLING HALF (Pump side) (3/4" bore)	
			(with Onan or Wisconsin engines)	1
32	02-018200		INSERT, COUPLING (urethane)	
			(with Onan or Wisconsin engines)	1
33			COUPLING HALF (Engine side) (1-1/8" bore)	
	02-018800		(with Onan engine)	1
	02-031100		(with Wisconsin engine)	1

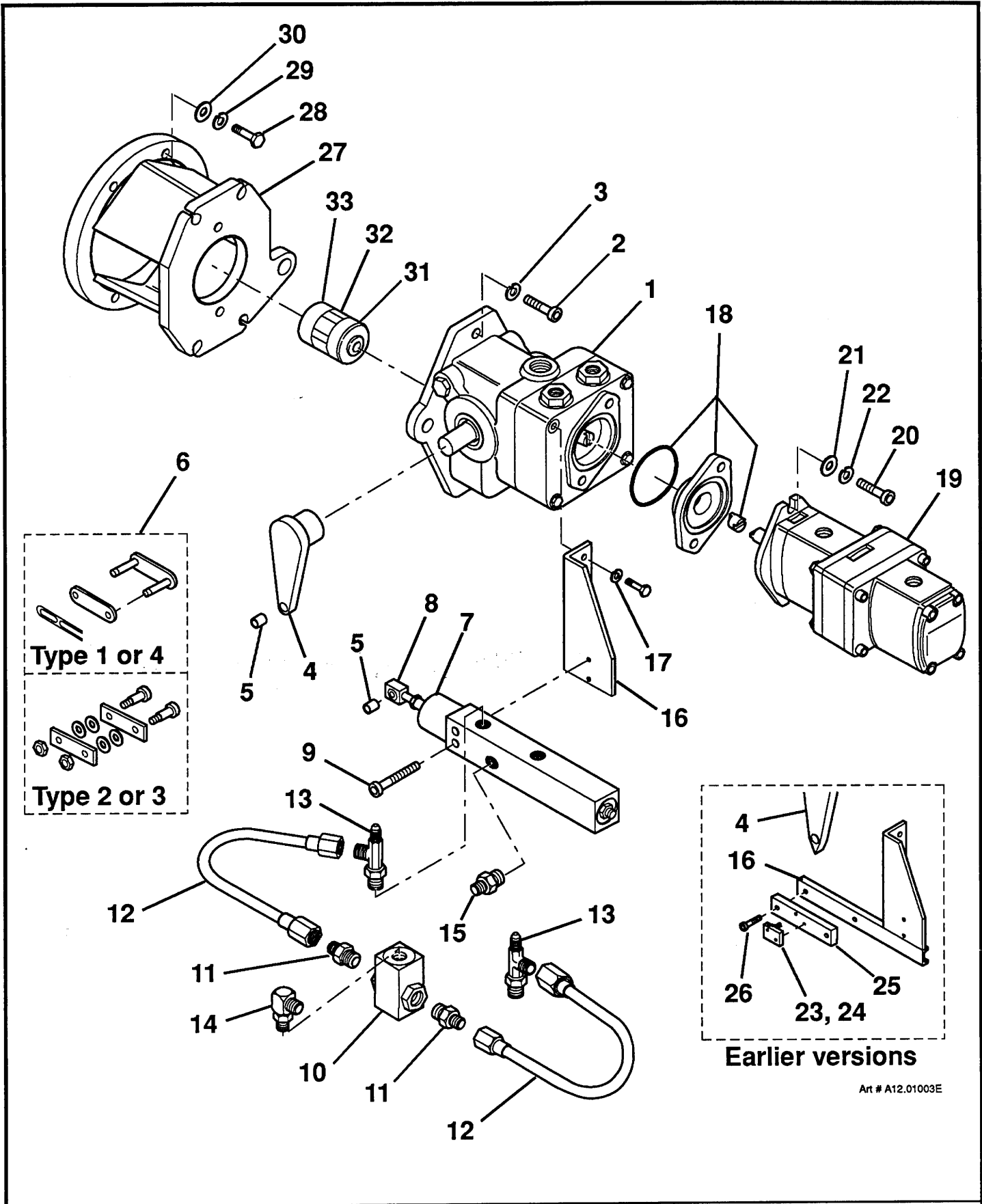
TITLE PUMP ASSEMBLY, HYDRAULIC (PLATE 2 OF 2)

PLATE NO. 12.01

**SIMON AERIALS INC.**

REV. 16 AUG., 1993

PART NO.



Art # A12.01003E

TITLE

PUMP ASSEMBLY, HYDRAULIC (PLATE 2 OF 2)

**SIMON AERIALS INC.**

REV. 16 AUG., 1993

PART NO.

PLATE NO.

12.01

## PARTS LIST

ITEM	PART NO	SEE SECTION	DESCRIPTION	QTY.
1	01-079301		SEAL KIT <b>Note:</b> Items in seal kit are identified by asterisk (*).	1
2			HOUSING ASSEMBLY	1
3			HOUSING, PUMP	1
4			BEARING, NEEDLE	2
5		*	SEAL, LIP	2
6		*	WASHER	2
7			SHAFT, TRUNNION	2
8			RING, RETAINING	2
9			CHARGE PUMP ASSEMBLY	1
10	01-079302		CHARGE PUMP (Gerotor Assembly)	1
11			HOUSING, CHARGE PUMP	1
12			BEARING, NEEDLE	1
13	01-079303	*	SEAL, LIP	1
14	01-079304	*	"O"-RING	1
15			SCREW, HEX HEAD	4
16	01-079305		PIN, STRAIGHT	1
17			RELIEF VALVE KIT	1
18			CONE, IMPLEMENT RELIEF VALVE	1
19			SPRING, IMPLEMENT RELIEF VALVE	1
20			SHIM	A.R.
21		*	"O"-RING	1
22			PLUG, HEX HEAD	1
23			BEARING	1
24			RING, RETAINING	1
25			RING, RETAINING	1
26			SWASHPLATE	1
27	01-079309		PIN, SPRING	3
28	01-079310		PLATE, THRUST	1
29	01-079308		SHAFT, PUMP	1
30	01-079311		CYLINDER BLOCK	1
31	01-079312		PLATE	1
32		*	GASKET	1
33			PIN, STRAIGHT (Headless)	1
34			CAP, PUMP END	1
35			BEARING, ROLLER	1
36			SCREW, HEX HEAD	4
37			CHECK VALVE KIT	2
38			BALL	1
39			SPRING	1
40		*	"O"-RING	1
41			PLUG	1
42	06-006300		LONG 90° ELBOW, MALE 37° TO NPT (4 CCTX-S)	1

TITLE

HYDRAULIC PUMP

PLATE NO.

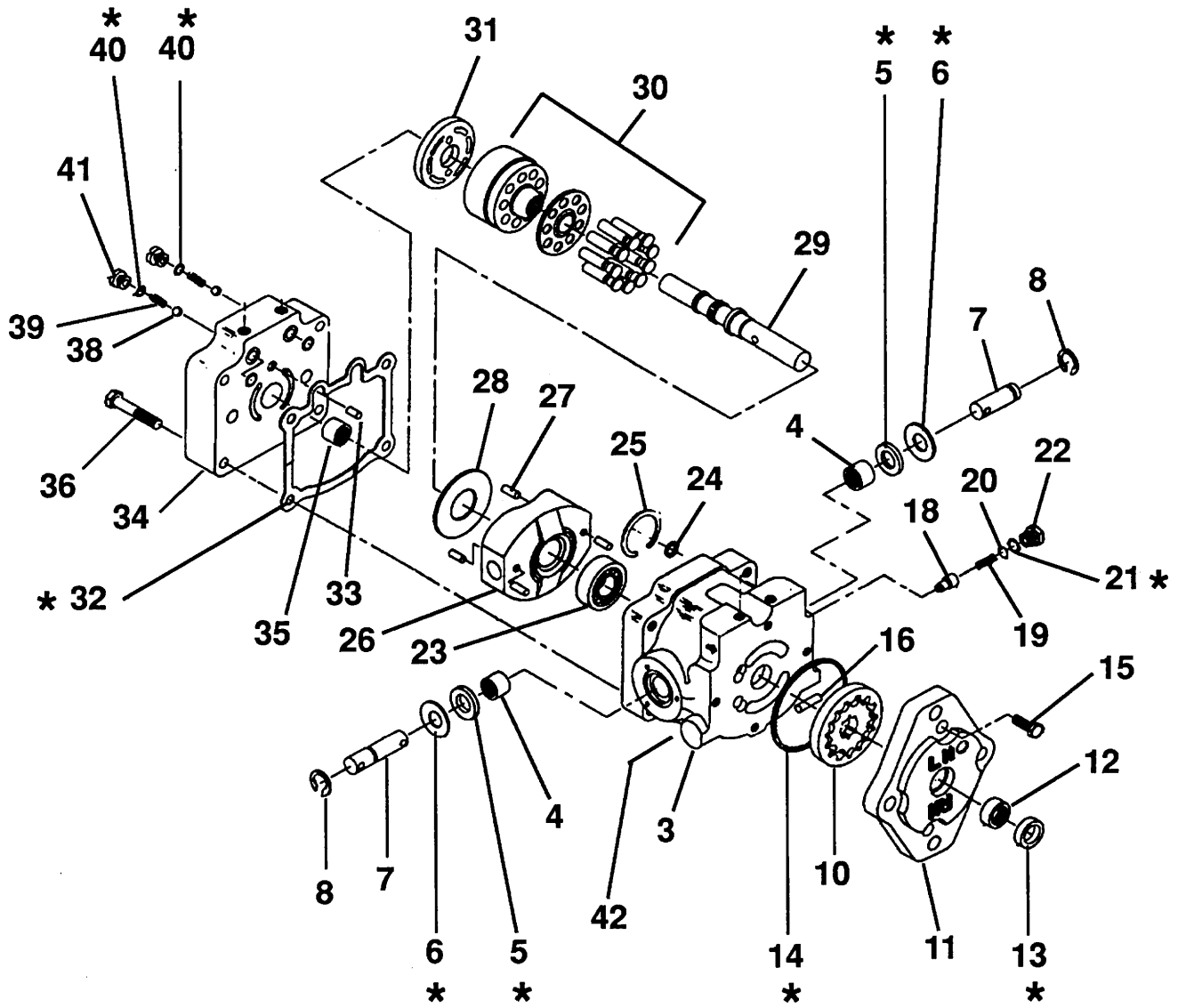
12.02

**SIMON AERIALS INC.**

REV. 09 SEP., 1993

PART NO.

01-079300



TITLE

HYDRAULIC PUMP

**SIMON AERIALS INC.**

REV. 09 SEP., 1993

PART NO.

01-079300

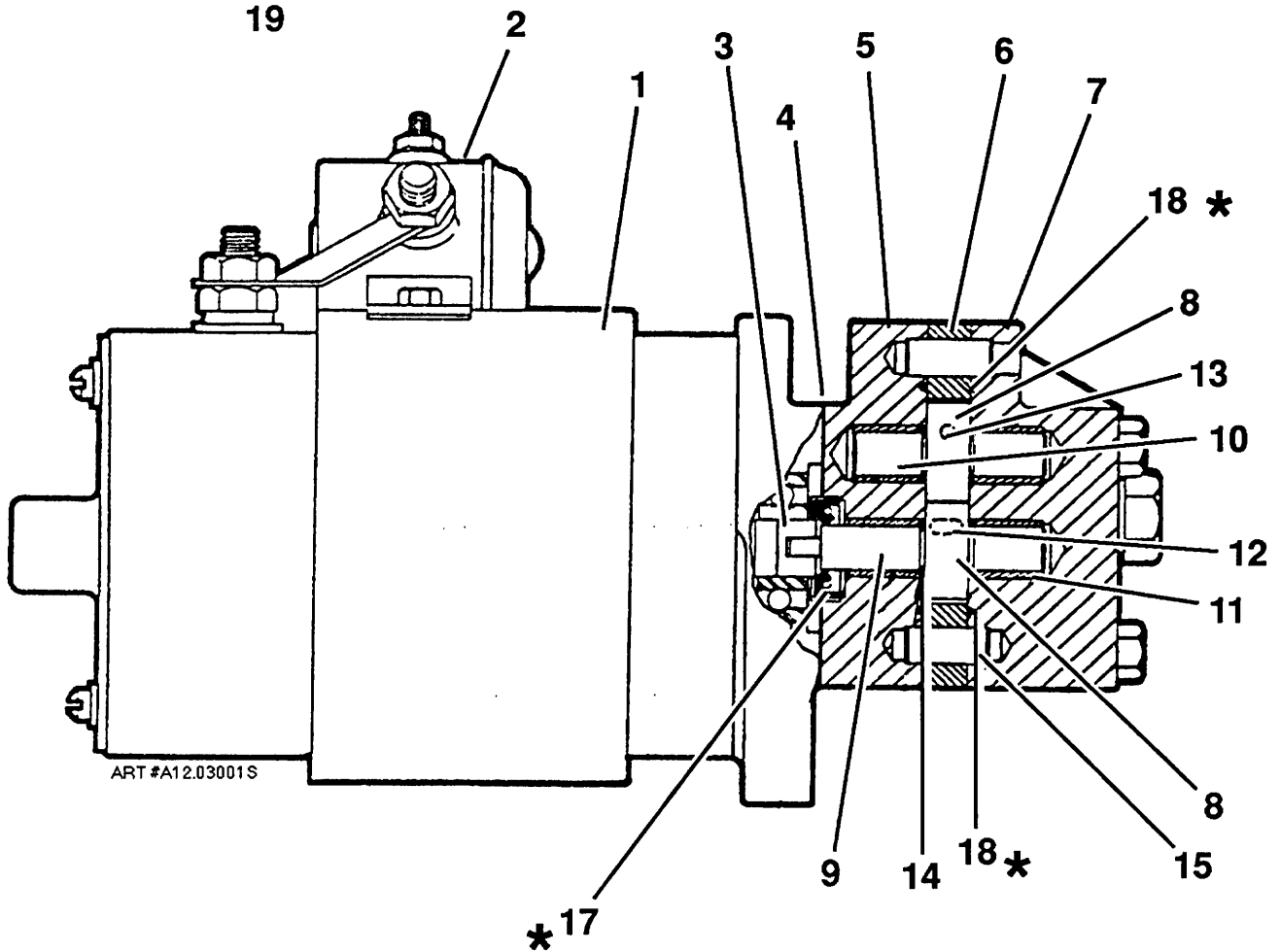
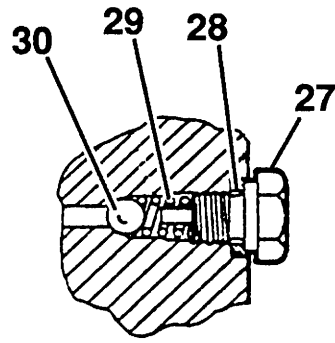
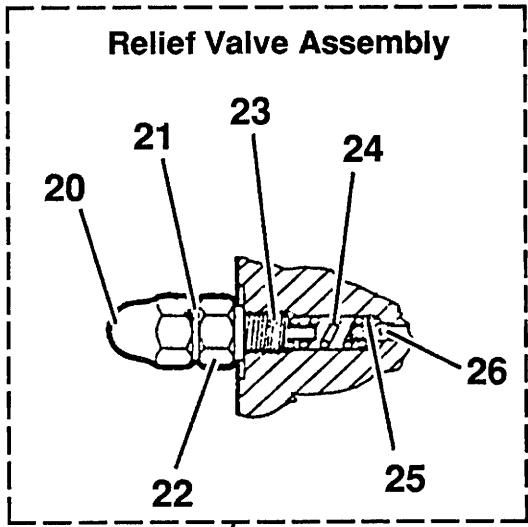
PLATE NO.

12.02



## PARTS LIST

ITEM	PART NO	SEE SECTION	DESCRIPTION	QTY.
1	01-027204		MOTOR, ELECTRIC PUMP	1
2	01-027203		RELAY, SOLENOID (for all models <b>except RZB</b> ) <b>Note:</b> Relay has <b>three</b> posts.	1
	03-465200		RELAY, SOLENOID (for model RZB) <b>Note:</b> Relay has <b>four</b> posts.	1
			<b>Note:</b> When replacing Emergency Pump 01-027200 on a model <b>RZB</b> Aerial Platform, Relay <b>01-027203</b> must be <b>removed</b> , and <b>replaced</b> with Relay <b>03-465200</b> .	
3	01-027205		COUPLING, PUMP	1
4	01-027202		GASKET, PUMP	1
5			PLATE, DRIVE	1
6			CASE	1
7			PLATE, END	1
8			GEAR	2
9			SHAFT, DRIVE	1
10			SHAFT, IDLER	1
11			BEARING	4
12			KEY, DOWEL	1
13			BALL	1
14			RING, RETAINING	4
15			PIN, DOWEL	2
16	01-027201		SEAL KIT	1
17	*		<b>Note:</b> Items in seal kit are identified by asterisk (*). SEAL, SHAFT	1
18	*		O-RING	2
19	01-027206		RELIEF VALVE ASSEMBLY	1
20			NUT, ACORN	1
21			GASKET, METAL	1
22			NUT, HEX JAM	1
23			SCREW, ADJUSTING	1
24			SPRING	1
25			GUIDE, SPRING	1
26			BALL	1
27			CAP, VALVE	1
28			WASHER, SEALING	1
29			SPRING	1
30			BALL	1



TITLE

EMERGENCY PUMP

**SIMON AERIALS INC.**

REV. 08 OCT., 1993

PART NO.

01-027200

PLATE NO.

12.03

### PARTS LIST

ITEM	PART NO	SEE SECTION	DESCRIPTION	QTY.
1	2136450	20.10	DRIVE SHAFT ASSEMBLY, REAR	1
2	2136410		YOKE, THROWOUT BEARING	1
3	07-002042		BOLT, SHOULDER	2
4	08-063300		BUSHING (Bronze)	2
5	07-047122		NUT, JAM (3/4"-16, Grade 5, R.H. Thread)	2
6	2136420		LEVER, DRIVE SHAFT DISENGAGEMENT	1
7	11-079800		KNOB, BALL	1
8	2163030		PIVOT, LEVER	1
9	2163130		EXTENSION, LEVER PIVOT	1
10	08-007100		END, TIE ROD (R.H. Thread)	1
11	2137240		PLATE, LOCK	1
12	2163330		RETAINER, LOCK PLATE	1
13	2098450		BAR, TOW	1
14	2108970		PIN (1-1/4" x 9")	1
15	2014357		BRACKET, TOW BAR MOUNTING (Eye end)	1
16	2014368		BRACKET, TOW BAR MOUNTING (Pin end)	2
17	01-010900		VALVE, STEERING DISCONNECT	1
18	07-003029		SCREW, HEX HEAD (5/16"-18 x 2", Grade 5)	2
19	07-050015		NUT, HEX (5/16"-18)	2
20	07-062015		WASHER, FLAT (5/16")	2

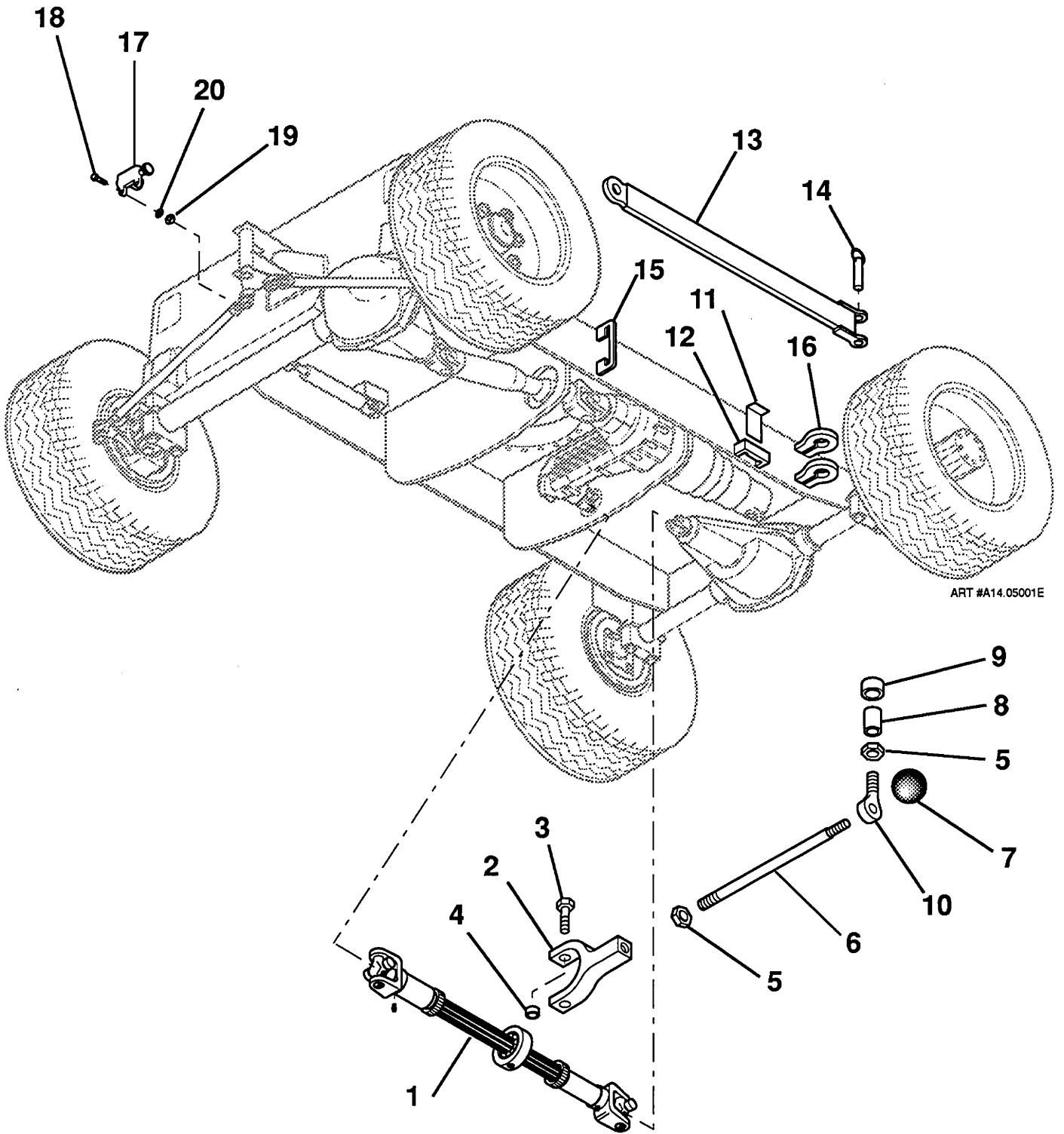
TITLE TOW PACKAGE . . . AT30C, AT40C

PLATE NO. 14.05

**SIMON AERIALS INC.**

NEW 10/01/90

PART NO.



ART #A14.05001E

TITLE

TOW PACKAGE . . . AT30C, AT40C

**SIMON AERIALS INC.**

NEW 10/01/90

PART  
NO.

PLATE  
NO.

14.05

## PARTS LIST

ITEM	PART NO	SEE SECTION	DESCRIPTION	QTY.
1	02-017711		SHAFT, MAIN DRIVE (used with yoke connection to front drive shaft)	1
			SHAFT, MAIN DRIVE (used with flange connection to front drive shaft)	1
2	02-017741		PIN, OIL PUMP PLUNGER	2
3	02-017720		HUB, PLANETARY SHIFT	1
4	02-017724		RING, RETAINING (188 mm O.D., 3.2 mm thk.)	1
5	02-017730		GEAR, RING (Annulus) (98 internal teeth)	1
6	02-017714		BUSHING, INPUT SHAFT (1-1/4" I.D., 1-1/2" O.D., 1/2" lg.)	1
7	02-017723		BEARING, NEEDLE (Input shaft)	1
8	02-017746		PLANETARY ASSEMBLY	1
9	02-017752		BEARING, INPUT (84 mm O.D., 1.55 mm thk.)	1
10	02-017753		BEARING, INPUT (46 mm I.D., 2.31 mm thk.)	1
11	02-017727		HOUSING, OIL PUMP	1
12	02-017729		COVER, OIL PUMP FRONT (Input side)	1
13	02-017728		COVER, OIL PUMP REAR (Output side)	1
14	02-017736		RETAINER, OIL PUMP	1
15	02-017745		SCREW, CAP (Oil pump) (M5-0.8 x 20 mm)	4
16	02-017718		CLAMP, HOSE (13/32" free I.D.)	1
17	02-017735		COUPLING, HOSE (7 mm I.D. x 220 mm long)	1
18	02-017717		STRAINER, OIL	1
19	02-017732		SPROCKET, DRIVE (34 and 9 external teeth)	1
20	02-017721		COLLAR, SHIFT LOCKUP (9 internal teeth)	1
21	02-017725		SPRING, LOCKUP	1
22	02-017731		HUB, LOCKUP (9 internal teeth)	1
23	02-017750		RING, RETAINING (83 mm O.D., 1.3 mm thk.)	1
24	02-017719		HUB, SHIFT COLLAR (9 external, 48 internal teeth)	1
25	02-017707		CHAIN, DRIVE (endless, 1-1/4" wide, 84 links)	1
26	02-017712		SHAFT, OUTPUT (to rear axle. Exits same side as input shaft)	1
27	02-017733		SPROCKET, DRIVEN (31 internal, 34 external teeth)	1
28	02-017722		WASHER, THRUST (1-5/8" O.D., 1-17/64" I.D., 3/32" thk.)	1
29	02-017748		RING, RETAINING (1-11/64" I.D. x 3/64" thk.)	1
30	02-017726		BEARING, OUTPUT SHAFT (1-1/4" I.D., 1-1/2" O.D., 3/4" wide)	1
31	02-017749		RING, RETAINING (2-31/32" O.D. x 5/64" thk.)	1
32	02-017756		YOKE, OUTPUT (to rear drive shaft)	1
33	02-017704		SLINGER, YOKE GUARD	1

TITLE

TRANSFER CASE (PLATE 1 OF 2)

PLATE NO.

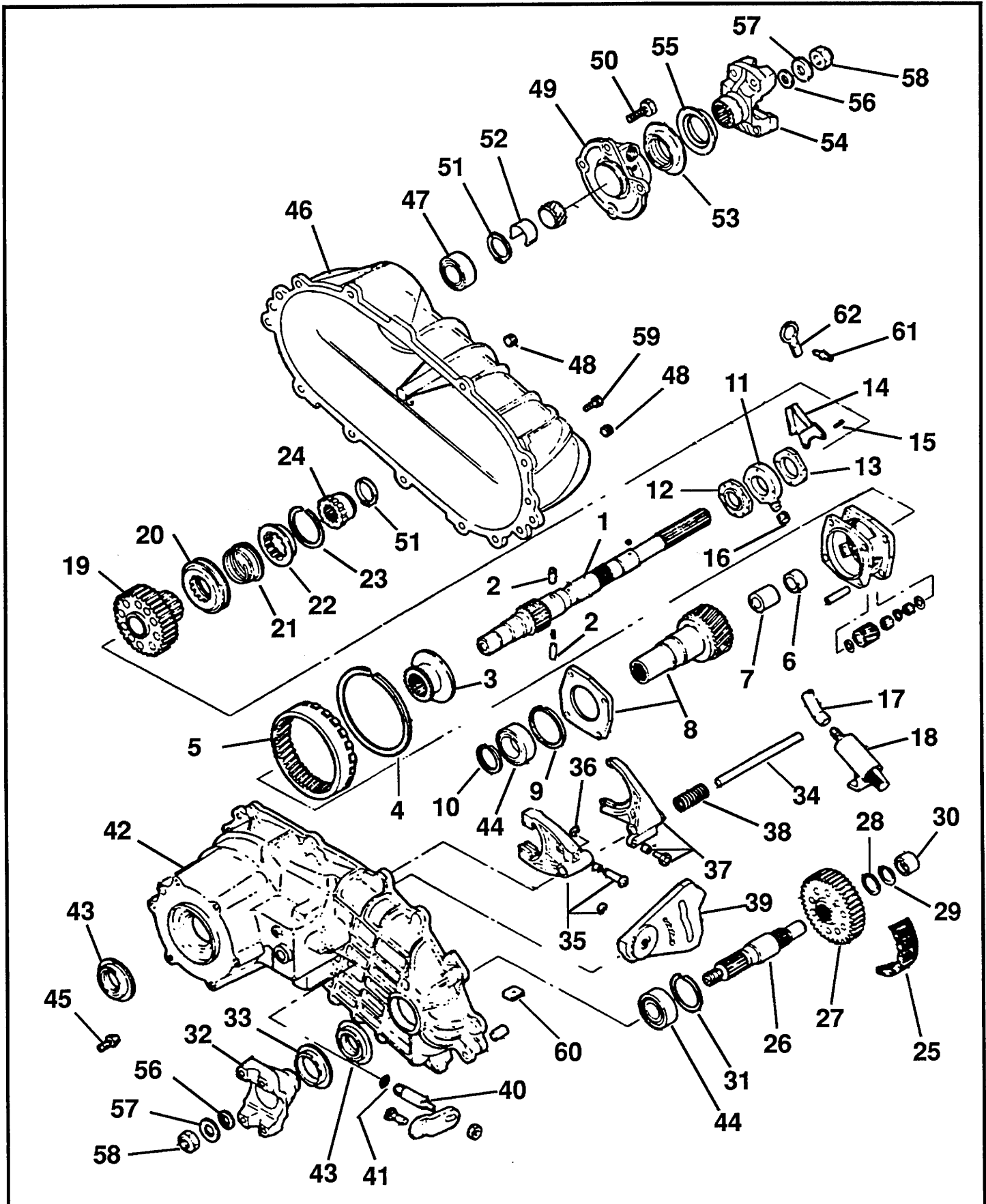
17.01

**SIMON AERIALS INC.**

REV. 12/10/90

PART NO.

02-017700



TITLE

TRANSFER CASE (PLATE 1 OF 2)

**SIMON AERIALS INC.**

REV. 12/10/90

PART NO.

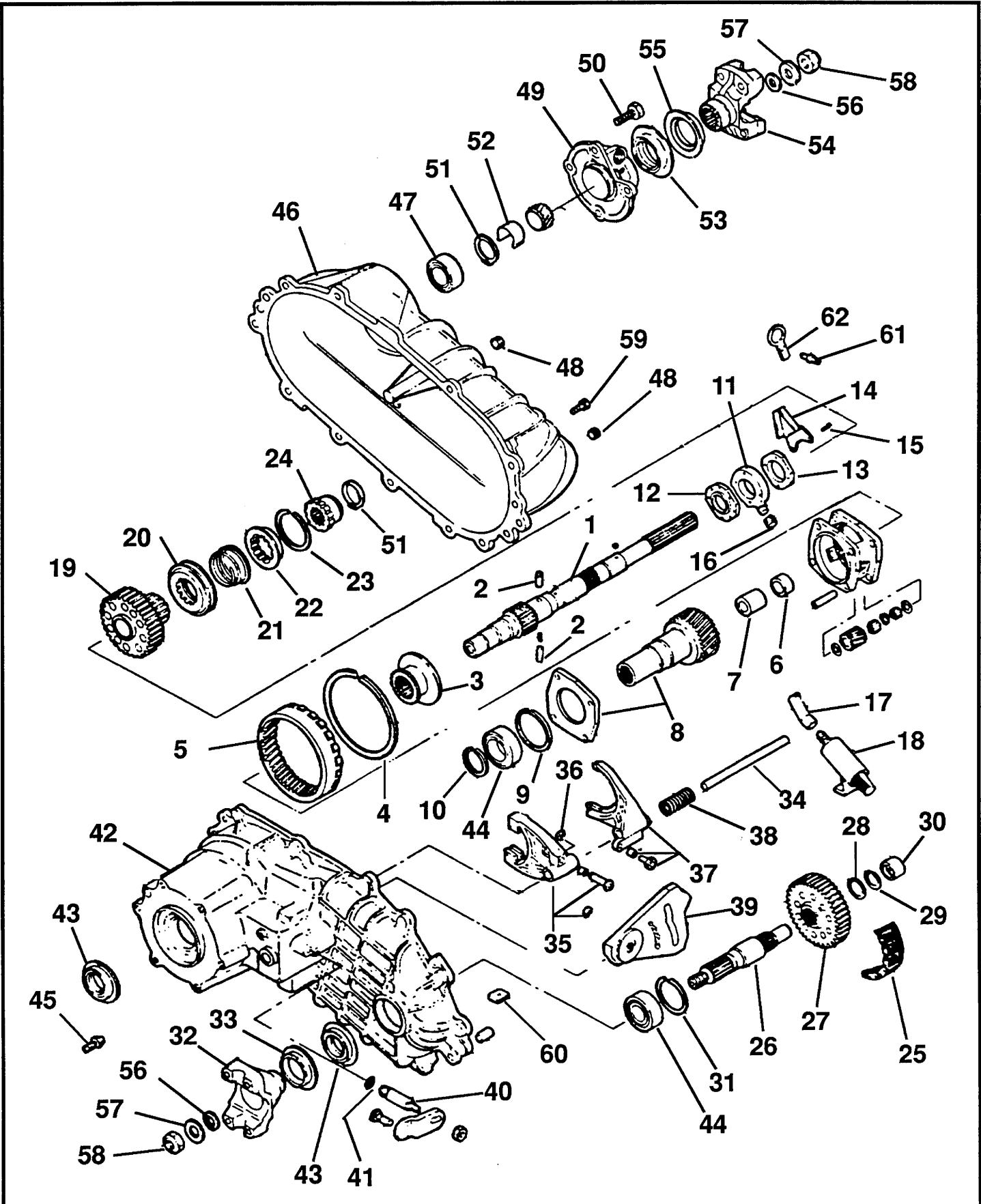
02-017700

PLATE NO.

17.01

## PARTS LIST

ITEM	PART NO	SEE SECTION	DESCRIPTION	QTY.
34	02-017740		RAIL, SHIFT	1
35	02-017738		FORK, MODE SHIFT (2 Wheel/ 4Wheel Drive)	1
36	02-017739		CLIP, RETAINER	1
37	02-017743		FORK, RANGE SHIFT (High/ Low reduction)	1
38	02-017737		SPRING, SHIFT FORK	1
39	02-017713		SECTOR, SHIFT	1
40	02-017716		SHAFT, SHIFT	1
41	02-017742		O-RING	1
42	02-017702		CASE HALF (input/ output shaft side)	1
43	02-017758		SEAL, OIL	2
44	02-017705		BEARING, OUTPUT SHAFT	1
45	02-017708		STUD, MOUNTING	1
46	02-017701		CASE HALF (output shaft side)	1
47	02-017705		BEARING, OUTPUT SHAFT	1
48	02-017703		PLUG, FILL/ DRAIN	2
49	02-017715		RETAINER, OUTPUT SHAFT BEARING	1
50	02-017747		BOLT, BEARING RETAINER (M10-1.5 x 35 mm)	4
51	02-017751		RING, RETAINING (output bearing)	2
52	02-017755		SPACER, OUTPUT BEARING	1
53	02-017758		SEAL, OIL	1
54	02-017757		YOKE, OUTPUT (to front drive shaft)	1
	* 02-029802		FLANGE, OUTPUT (to front drive shaft)	1
55	02-017704		SLINGER, YOKE GUARD	1
56	02-017710		NUT, OUTPUT SHAFT FLANGE	2
57	02-017759		WASHER	2
58	02-017709		NUT, OUTPUT SHAFT (M22-1.5)	2
59	02-017747		BOLT, CASE (M10-1.5 x 35 mm)	12
60	02-017744		MAGNET	1
61	02-017734		STUD, CASE	1
62	02-017754		PLATE, ISOLATOR	1
63	02-017760		MOTOR ASSEMBLY, CASE (not shown)	1



TITLE

TRANSFER CASE (PLATE 2 OF 2)

**SIMON AERIALS INC.**

REV. 12/10/90

PART NO.

02-017700

PLATE NO.

17.01



**PARTS LIST**

ITEM	PART NO	SEE SECTION	DESCRIPTION	QTY.
1	2174540		LINK WELDMENT, DRIVE	1
2	07-062020		WASHER, FLAT (9/16" USS)	1
3	2174430		PLATE, ADAPTER	1
4	2174330		PLATE, RETAINER	1
5	07-090165		CAP SCREW, HEX HEAD (M6-1 x 20 mm, Grade 8.8)	2
6	07-102500		SCREW, SOCKET HEAD (M6-1 x 50 mm, Grade 8.8)	1
7	07-066004		WASHER, LOCK (6 mm)	2
8	07-039004		NUT, HEX (M6-1)	1
9	07-003025		CAP SCREW, HEX HEAD (5/16"-18 x 1", Grade 5)	1
10	07-040015		NUT, HEX (5/16"-18)	1
11	11-082200		SPRING, EXTENSION	1
12	07-090176		PIN, CLEVIS (1/4" x 1-1/2")	1
13	07-070305		PIN, COTTER (1/16" x 1")	1
14	02-034000		COUPLING, RUBBER (3/8") (includes two 1/4" long set screws, which can be discarded)	1
15	07-023019		SET SCREW, CUP POINT (1/4"-20 x 3/8") (to replace set screws that come with coupling, item 14)	2
16	2174470		LEVER	1
17	11-079800		KNOB	1
18	10-116200		DECAL, "DRIVE DISENGAGEMENT INSTRUCTIONS"	1

**TITLE** DRIVE LINE DISCONNECT (OPTION) . . . AT30C, AT40C

**PLATE NO.** 17.49 **SIMON AERIALS INC.** REV.01/30/91 **PART NO.** 3522260

**DRIVE DISENGAGEMENT INSTRUCTIONS**

DRIVE MUST BE DISENGAGED FOR TOWING, WINCHING OR MOVING DISABLED MACHINE.

**TO DISENGAGE DRIVE:**

1. MOVE MACHINE BY ATTACHING TOWBAR OR WINCH CABLE OR BY BLOCKING TIRES.
2. TURN HANDLE CLOCKWISE AND MOVE HANDLE UPWARD UNTIL HANDLE LOCKS INTO DISENGAGED POSITION.

**TO RE-ENGAGE DRIVE:**

1. TURN HANDLE COUNTERCLOCKWISE AND MOVE HANDLE DOWN UNTIL HANDLE LOCKS INTO ENGAAGED POSITION.

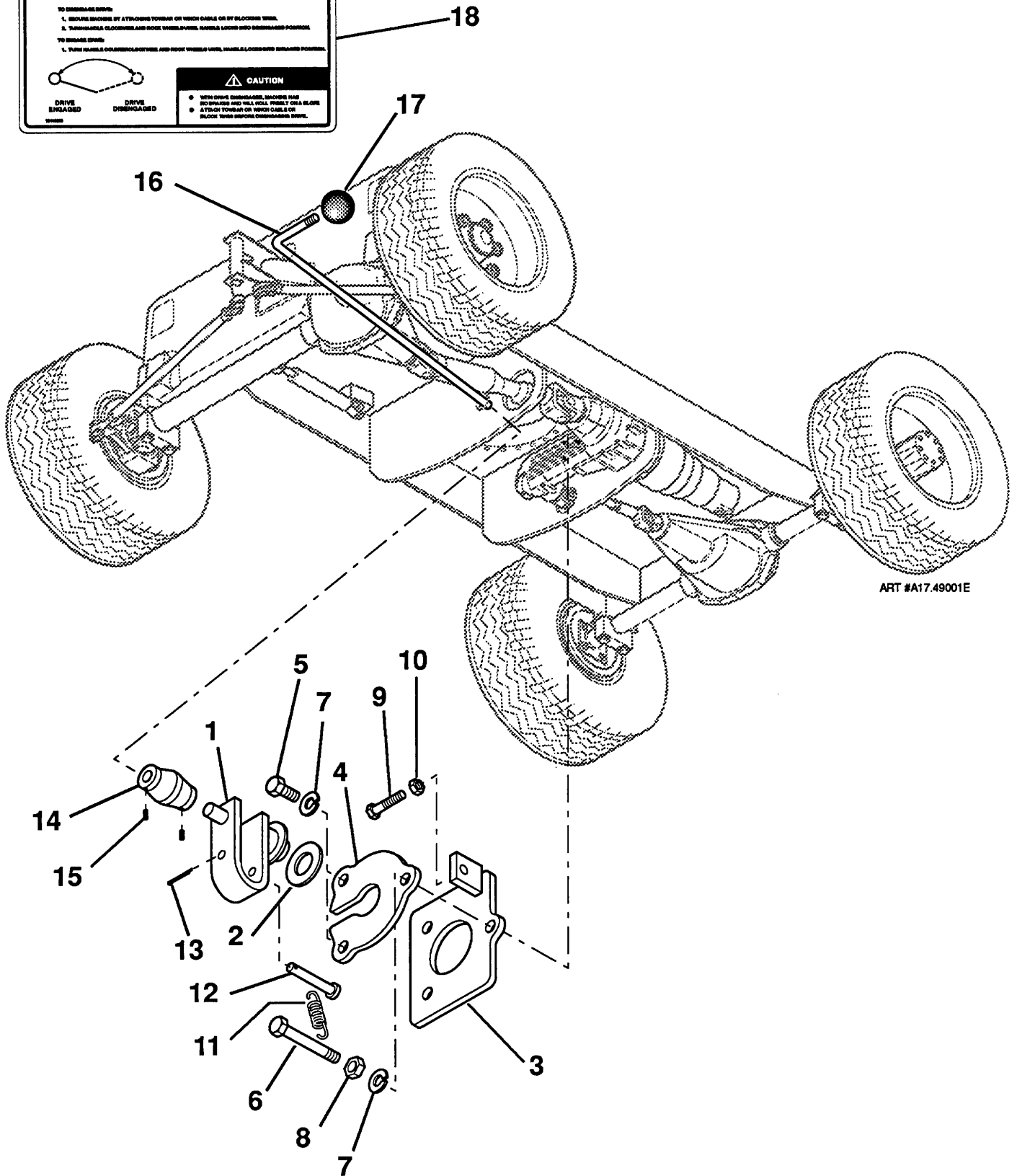


DRIVE  
ENGAAGED

DRIVE  
DISENGAGED

**CAUTION**

- WITH DRIVE DISENGAGED, MACHINE HAS NO BRAKES AND WILL ROLL FREELY ON A SLOPE.
- ATTACH TOWBAR OR WINCH CABLE OR BLOCK TIRES BEFORE OPERATING DRIVE.



TITLE DRIVE LINE DISCONNECT (OPTION) . . . AT30C, AT40C

**SIMON AERIALS INC.**

REV.01/30/91

PART NO. 3522260

PLATE NO. 17.49

## PARTS LIST

ITEM	PART NO	SEE SECTION	DESCRIPTION	QTY.
1	02-033200		CALIPER ASSEMBLY, DISC BRAKE (Right)	1
	02-033300		CALIPER ASSEMBLY, DISC BRAKE (Left)	1
2	02-033201		HOUSING, DISC BRAKE CALIPER	1
3			SCREW, BLEEDER	1
4	02-033203		PISTON	2
5	01-202600		SEAL	2
6	02-033204		SPRING	1
7	02-033202		PAD SET (includes two pads for one caliper assembly)	1
8	02-033400		PIN, CALIPER MOUNTING	4
9	06-206400		FITTING, BRAKE CALIPER	2
10	06-206500		ADAPTER, BRAKE CALIPER	2
11	05-104800		HOSE ASSEMBLY (Caliper to tee) [40" (1.016 M) long]	2
12	06-036300		TEE, BULKHEAD (4 WJTX)	1
13	05-104900		HOSE ASSEMBLY (Front to rear brakes) [83" (2.108 M) long]	1
14	06-054300		RUN TEE, SWIVEL NUT (4 R6X)	1
15	10-060800		CLAMP	3
16	07-040014		NUT, HEX (1/4"-20, Grade 5)	3
17	07-031001		STUD, WELDING (1/4"-20 x 3/4" long) (not shown)	3

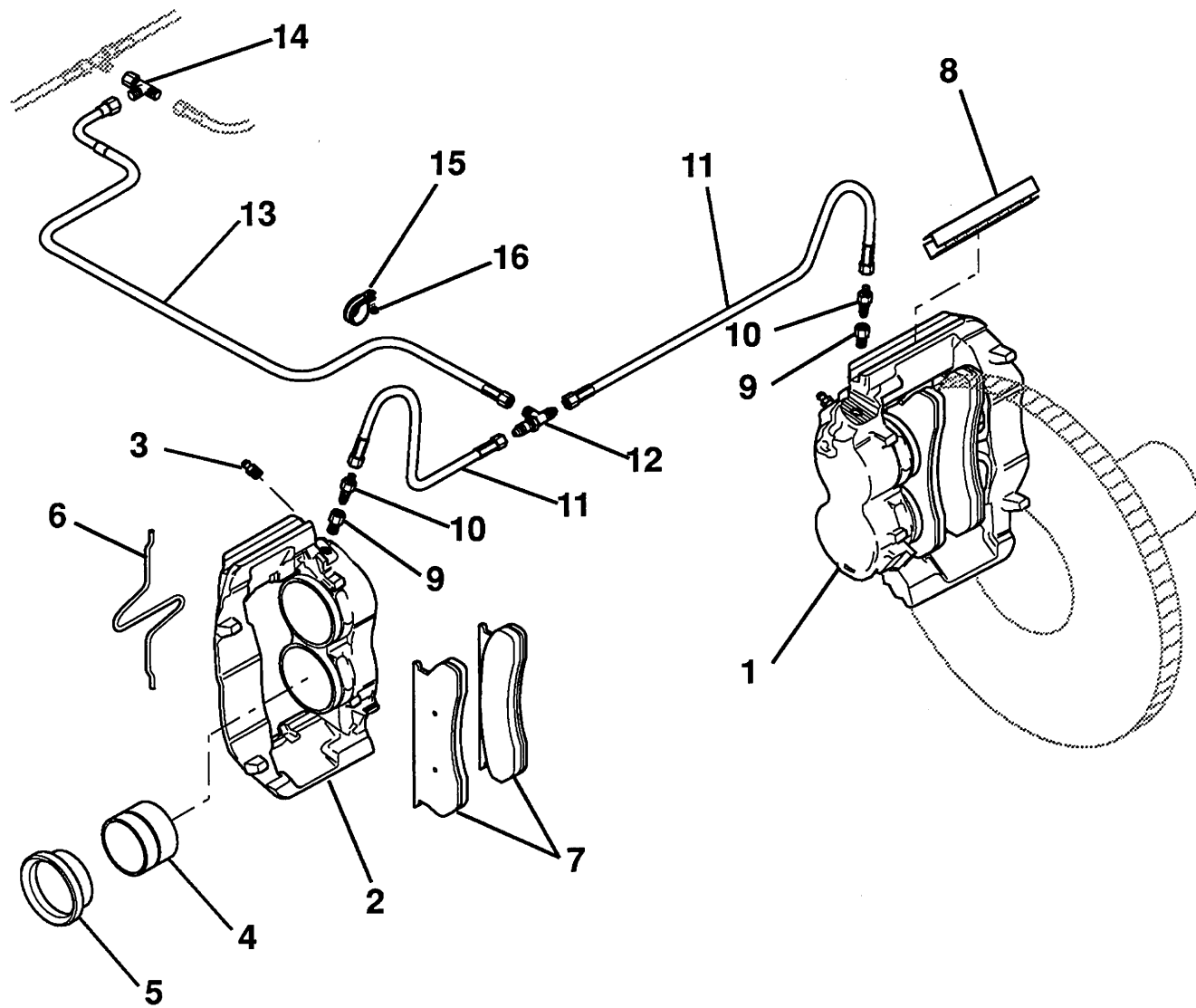
TITLE CALIPER FRONT DISC BRAKES . . . AT30C, AT40C (ABOVE S/N 5000)

PLATE NO. 18.02

**SIMON AERIALS INC.**

NEW 10/01/90

PART NO. 3522200



TITLE CALIPER FRONT DISC BRAKES . . . AT30C, AT40C (ABOVE S/N 5000)

**SIMON AERIALS INC.**

NEW 10/01/90

PART NO. 3522200

PLATE NO. 18.02

## PARTS LIST

ITEM	PART NO	SEE SECTION	DESCRIPTION	QTY.
			<b>Note:</b> This Rear Brake Drum for: AT 30C Constructor AT 40C Constructor Silver Eagle 32/21 (Fuel), S/N <b>VG</b> 1001 and up Silver Eagle 41/24 (Fuel), S/N <b>W</b> or <b>WG</b> 5101 and up	
1	02-020027 02-020028		BRAKE ASSEMBLY, REAR DRUM (For reference only. Assembly not available. Order individual components.) Right hand Left hand	1
2			PLATE, BRAKE BACKING	1
	02-020009 02-020010		Right hand Left hand	
3	02-020004		SHOE AND LINING SET, BRAKE (Primary and secondary shoes and linings for <b>one side</b> )	1
4	02-020011		PIN, SHOE HOLD DOWN	2
5	02-020025		SPRING, SHOE HOLD DOWN	2
6	02-020026		SPRING, SHOE RETRACTING (upper)	1
7	02-020018		SPRING, SHOE RETRACTING (lower)	1
8			CYLINDER ASSEMBLY, WHEEL	1
	55-000212 55-000213		Right hand Left hand	
9	01-096000		CUP, WHEEL CYLINDER (1.188" [30.2 mm] dia.) (Special, for use with <b>hydraulic fluid</b> . Simon part number is molded into cup)	2
<div style="border: 1px solid black; padding: 5px; display: inline-block;"> <b>WARNING</b> </div> <p style="text-align: center; margin-top: 10px;"> <b>USE OF WHEEL CYLINDER CUPS MADE FOR USE WITH DOT-3 BRAKE FLUID ON A SYSTEM USING HYDRAULIC FLUID WILL CAUSE RAPID SYSTEM CONTAMINATION AND FAILURE.</b> </p>				
10	-----		BOLT, BRAKE CYLINDER RETAINING	2
11	-----		WASHER, BRAKE CYLINDER RETAINING	2
12	02-020005		LINK, WHEEL CYLINDER	2

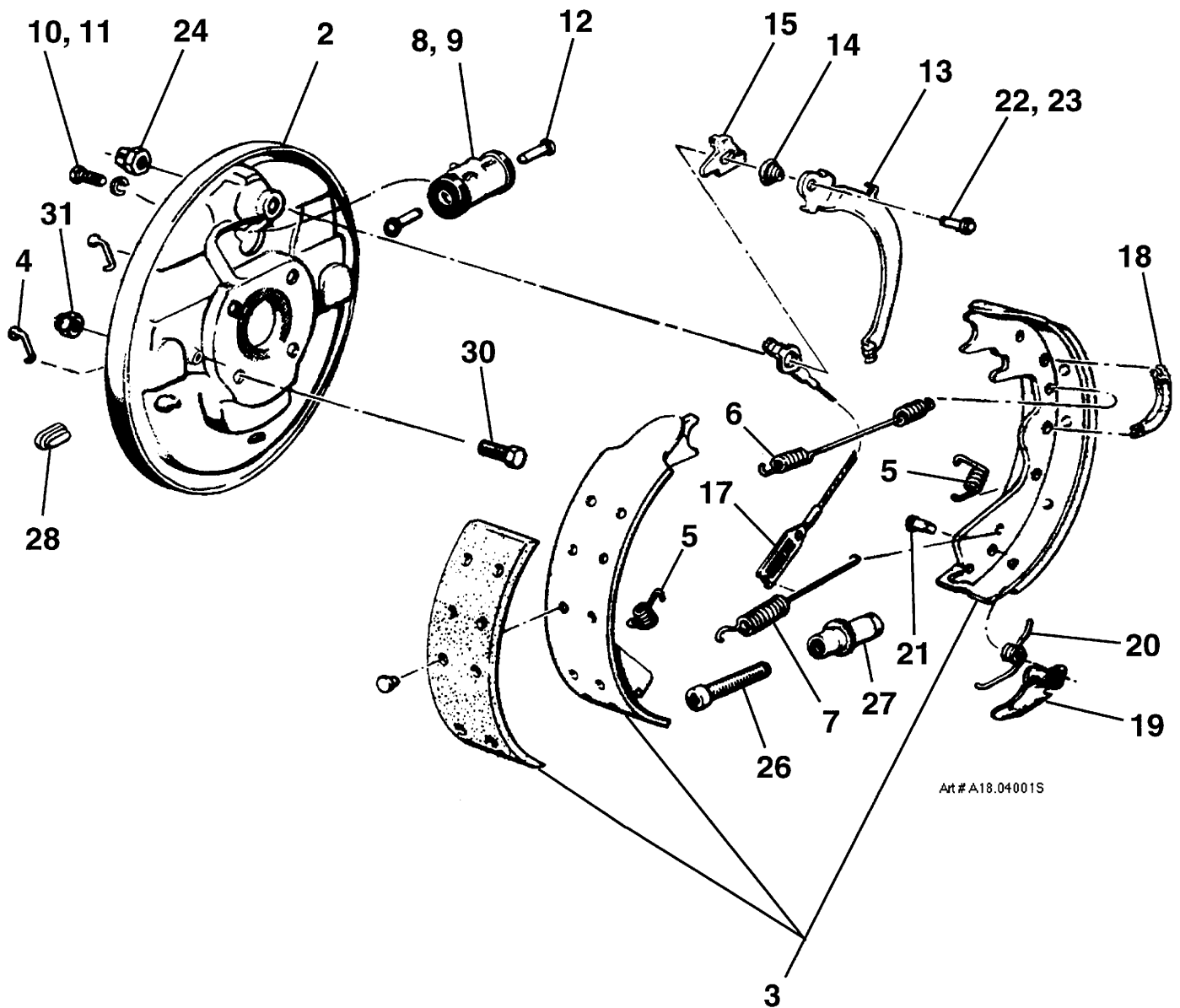
**TITLE** REAR DRUM BRAKE ASSEMBLY (PLATE 1 OF 2)

**PLATE NO.** 18.04

**SIMON AERIALS INC.**

REV. 04 JAN., 1996

**PART NO.**



Art # A18.04001S

TITLE

REAR DRUM BRAKE ASSEMBLY (PLATE 1 OF 2)

**SIMON AERIALS INC.**

REV. 04 JAN., 1996

PART  
NO.

PLATE  
NO.

18.04

**PARTS LIST**

ITEM	PART NO	SEE SECTION	DESCRIPTION	QTY.
13	02-020020 02-020021		LEVER Right hand Left hand	1
14	02-020022		SPRING	2
15	02-020023		PLATE, CAM Right hand	1
16	02-020024 02-020013 02-020014		Left hand LEVER KIT Right hand Left hand	1
17	-----		CABLE ASSEMBLY (must be discarded)	1
18	-----		GUIDE, CABLE	1
19	-----		LEVER	1
20	-----		SPRING, RETURN	1
21	02-020015		PIN, LEVER	1
22	02-020008		BOLT	1
23	02-020019		RETAINER	1
24	-----		NUT, LOCK	1
25	02-020016 02-020017		SCREW KIT Right hand Left hand	1
26	-----		SCREW	1
27	-----		SOCKET	1
28	02-020012		COVER	1
29	02-022819		DRUM, REAR BRAKE (not shown)	2
30	-----		BOLT, BACKING PLATE TO AXLE HOUSING FLANGE	4
31	-----		NUT, BACKING PLATE TO AXLE HOUSING FLANGE	4

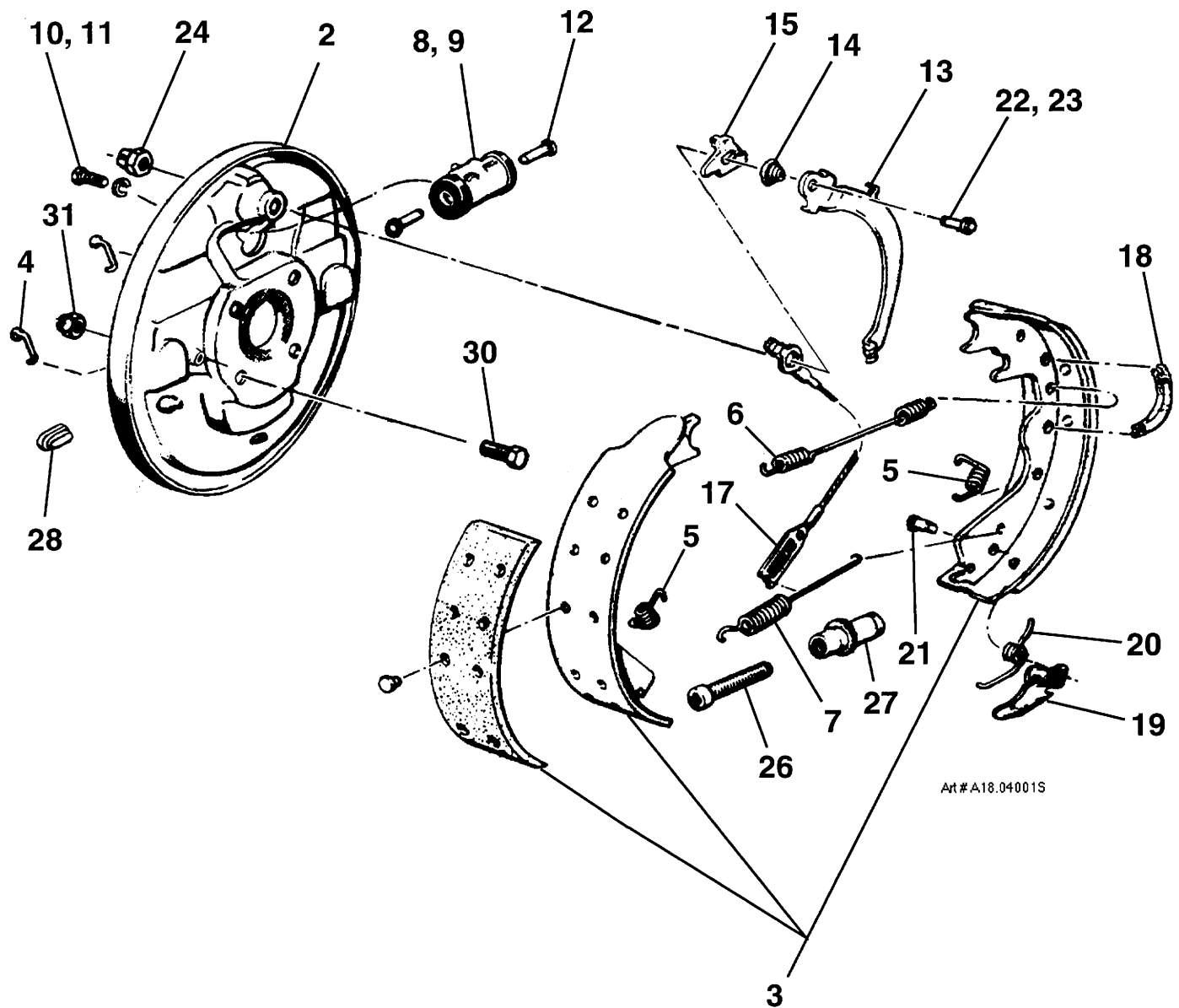
TITLE REAR DRUM BRAKE ASSEMBLY (PLATE 2 OF 2)

PLATE NO. 18.04

**SIMON AERIALS INC.**

REV. 04 JAN., 1996

PART NO.



Art #A18.040015

TITLE REAR DRUM BRAKE ASSEMBLY (PLATE 2 OF 2)

**SIMON AERIALS INC.**

REV. 04 JAN., 1996

PART NO.

PLATE NO. 18.04



## PARTS LIST

ITEM	PART NO	SEE SECTION	DESCRIPTION	QTY.
1	02-022800		AXLE ASSEMBLY, REAR	1
2	02-022820		HOUSING ASSEMBLY, AXLE	1
3	02-022817		COVER, DIFFERENTIAL HOUSING	1
4	02-022229		SEALANT, RTV (Ford #D6AZ 19562 ba or equivalent)	A.R.
5	02-022821		BOLT, SELF LOCKING	12
6	02-022802		HUB ASSEMBLY, REAR WHEEL	2
7			HUB, REAR WHEEL	1
8	02-022807		SEAL, WHEEL BEARING OIL	1
9	02-022811		CONE AND ROLLER, WHEEL BEARING (Inner)	1
10	02-022810		CUP, WHEEL BEARING (Inner)	1
11	02-022808		CUP, WHEEL BEARING (Outer)	1
12	02-022809		CONE AND ROLLER, WHEEL BEARING (Outer)	2
13	02-022806		BOLT, WHEEL LUG	16
14	02-022814		NUT, SPINDLE (Right hand)	1
	02-022815		NUT, SPINDLE (Left hand)	1
15	02-022804		SHAFT ASSEMBLY, AXLE (Right)	1
	02-022803		SHAFT ASSEMBLY, AXLE (Left)	1
16	07-090152		BOLT, AXLE SHAFT	16
17	02-022813		GEAR SET, AXLE RING AND PINION (4.10:1)	1
18	02-022822		SPACER, PINION BEARING	1
19	02-022818		LOCKNUT ASSEMBLY	1
20	02-022823		CONE AND ROLLER, PINION BEARING (Rear)	1
21	02-022825		CUP, PINION BEARING (Rear)	1
22	02-022826		CUP, PINION BEARING (Front)	1
23	02-022827		CONE AND ROLLER, PINION BEARING (Front)	1
24	02-022828		SLINGER, PINION SHAFT OIL	1
25	02-022824		SEAL, PINION SHAFT OIL	1
26	02-020006		FLANGE ASSEMBLY, YOKE	1
27	02-022829		DEFLECTOR, OIL SEAL	1
28	02-023000		DIFFERENTIAL ASSEMBLY (Detroit Locker)	1
29	02-022830		BOLT, SELF LOCKING	10
30	02-022811		CONE AND ROLLER, DIFFERENTIAL BEARING	2
31	02-022810		CUP, DIFFERENTIAL BEARING	2
32			SHIM, DIFFERENTIAL BEARING ADJUSTMENT	A.R.
33	02-022816		O-RING, AXLE SHAFT (not shown)	2
34	02-020027	18.04	BRAKE ASSEMBLY, REAR DRUM (Right hand)	1
	02-020028	18.04	BRAKE ASSEMBLY, REAR DRUM (Left hand)	1
35	02-022812		BRAKE SHOE AND LINING KIT (Axle set. Primary and secondary shoes and linings for two wheels)	1
36	07-058500		NUT, LUG (9/16"-18, Grade 5)	16

TITLE

REAR AXLE ASSEMBLY

PLATE NO.

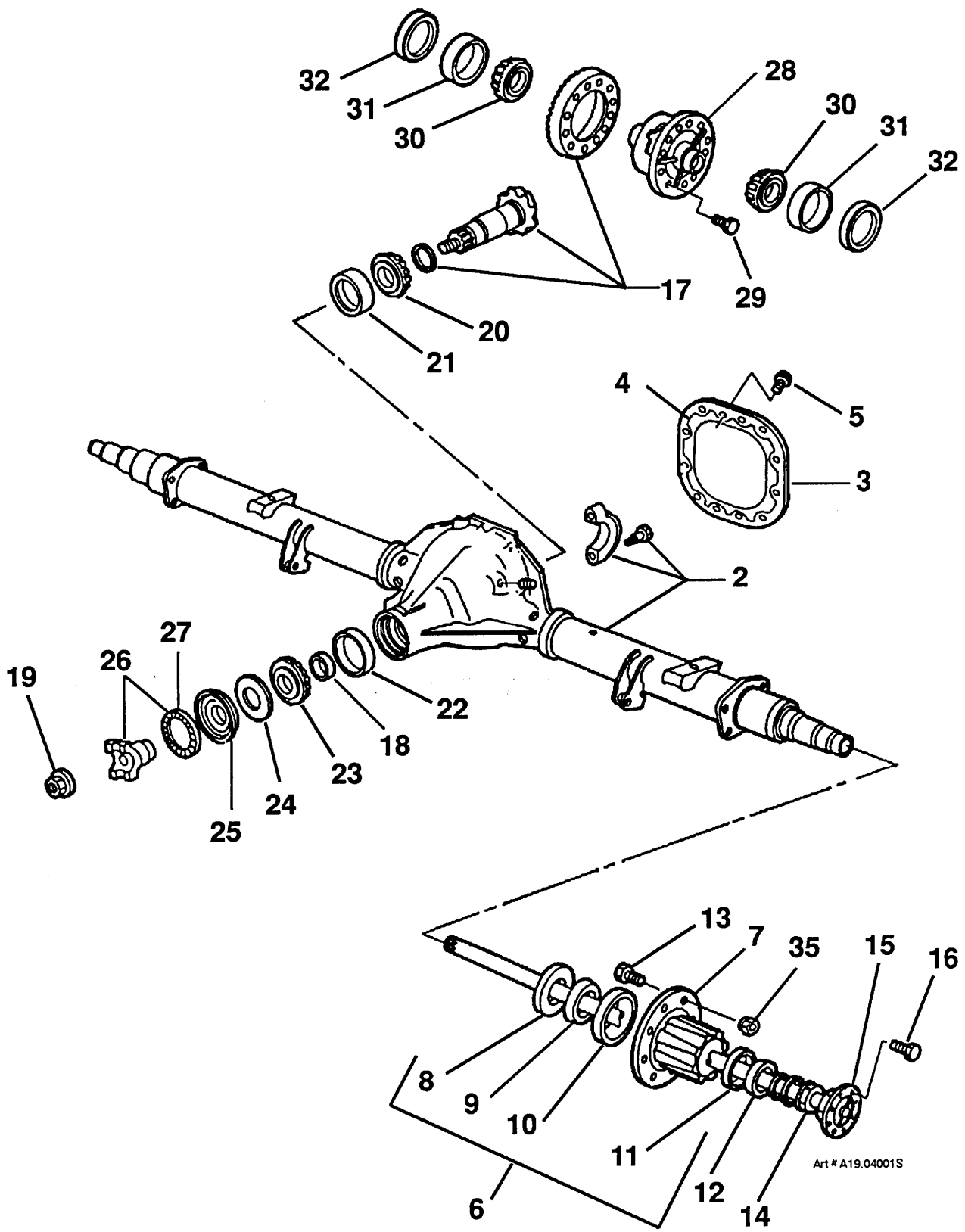
19.04

**SIMON AERIALS INC.**

REV. 25 FEB., 1992

PART NO.

02-022800



TITLE

REAR AXLE ASSEMBLY

**SIMON AERIALS INC.**

REV. 25 FEB., 1992

PART NO.

02-022800

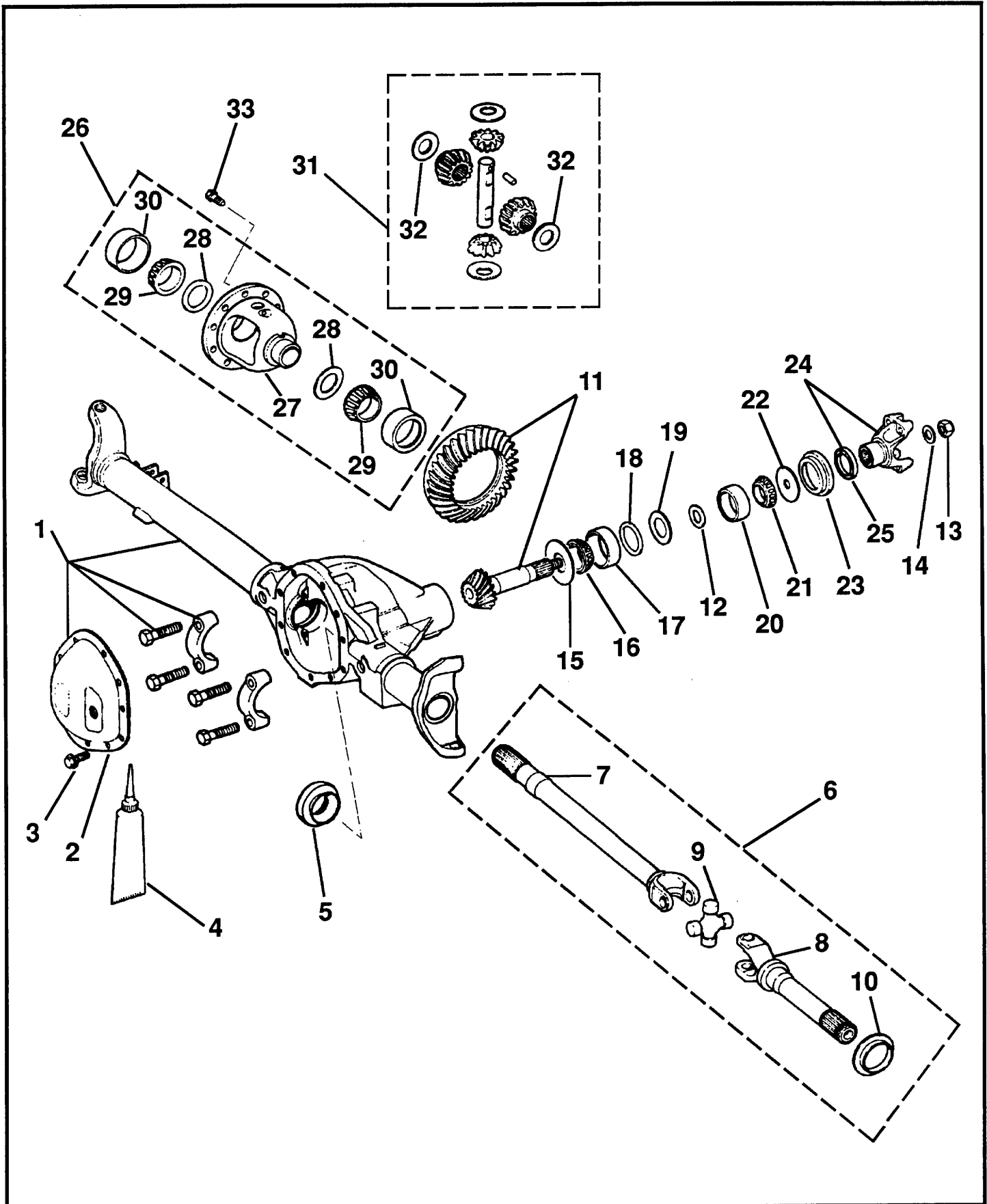
PLATE NO.

19.04

## PARTS LIST

ITEM	PART NO	SEE SECTION	DESCRIPTION	QTY.
1	02-019959		HOUSING ASSEMBLY, AXLE	1
2	02-019958		COVER, DIFFERENTIAL HOUSING	1
3	02-019957		BOLT	A.R.
4	02-022229		SEALANT, RTV (Ford #D6AZ 19562-ba or equivalent)	A.R.
5	02-019911		SEAL	2
6	02-019905		SHAFT ASSEMBLY, AXLE [Right (long side)]	1
	02-019901		SHAFT ASSEMBLY, AXLE [Left (short side)]	1
7	02-019912		SHAFT, AXLE (Inner)	1
8			SHAFT, AXLE (Outer)	1
9	02-019922		JOINT, UNIVERSAL	1
10	02-019906		SLINGER	1
11			GEAR SET, AXLE RING AND PINION	1
12			SHIM (SPACER, PINION BEARING)	A.R.
13	02-019961		NUT	1
14	02-019962		WASHER	1
15	02-019951		SLINGER, OIL	1
16	02-019950		CONE AND ROLLER, PINION BEARING (Front)	1
17	02-019949		CUP, PINION BEARING (Front)	1
18			SHIM, DIFFERENTIAL BEARING ADJUSTMENT	A.R.
19	02-019948		SLINGER	1
20	02-019947		CUP, PINION BEARING (Rear)	1
21	02-019946		CONE AND ROLLER, PINION BEARING (Rear)	1
22	02-019945		SLINGER, OIL	1
23	02-019944		SEAL, PINION SHAFT OIL	1
24	02-019914		FLANGE ASSEMBLY, YOKE	1
25			DEFLECTOR, DUST	1
26	02-019952		CASE KIT, DIFFERENTIAL	1
27			CASE, DIFFERENTIAL	1
28			SHIM SET	1
29	02-019919		CONE AND ROLLER, DIFFERENTIAL BEARING	2
30	02-019954		CUP, DIFFERENTIAL BEARING	2
31	02-019956		GEAR KIT, DIFFERENTIAL	1
32	02-019955		WASHER, THRUST	2
33			BOLT	A.R.

TITLE		FRONT AXLE ASSEMBLY (PLATE 1 OF 2)		
PLATE NO.	19.06	<b>SIMON AERIALS INC.</b>	REV. 05 MAR., 1992	PART NO. 02-019900



TITLE

FRONT AXLE ASSEMBLY (PLATE 1 OF 2)

**SIMON AERIALS INC.**

REV. 05 MAR., 1992

PART NO. 02-019900

PLATE NO. 19.06

## PARTS LIST

ITEM	PART NO	SEE SECTION	DESCRIPTION	QTY.
34	02-019908		KNUCKLE, STEERING (Right) (includes item 35)	1
	02-019931		KNUCKLE, STEERING (Left) (includes item 35)	1
35	02-019965		BOLT	A.R.
36	02-019966		BRACKET, BRAKE CALIPER MOUNTING (Right)	1
	02-019967		BRACKET, BRAKE CALIPER MOUNTING (Left)	1
37			SHIELD, BRAKE ROTOR SPLASH	2
38	02-019921		PIN, FRONT AXLE SPINDLE	2
39	02-019916		BUSHING, SPINDLE PIN	2
40	02-019930		SPRING, UPPER ARM BALL JOINT	2
41	02-019929		SPRING, FRONT AXLE SPINDLE	2
42	02-019928		PLUG, UPPER BALL JOINT	2
43	02-019923		PLUG, LOWER BALL JOINT	2
44	02-019960		GASKET, SPINDLE PIN	4
45	07-004586		CAP SCREW, HEX HEAD (1/2"-20 x 1-1/4", Grade 8)	8
46	02-019964		WASHER	8
47	02-019924		SEAL, BALL STUD	2
48	02-019907		CONE AND ROLLER, BEARING	2
49	02-019915		CUP, BEARING	2
50	02-019926		CAP, GREASE	2
51	02-019927		SEAL, KING PIN	2
52	02-019934		SPINDLE ASSEMBLY	2
53			SPINDLE	1
54	02-019925		BEARING, FRONT AXLE SPINDLE PIN	1
55	02-019918		SEAL, SPINDLE (Outer)	2
56	02-019933		SPACER	2
57	02-019932		SEAL, SPINDLE (Inner)	2
58	02-019935		NUT, LOCK	12
59	02-019917		SEAL, HUB	2
60	02-019936		CONE AND ROLLER, WHEEL BEARING (Inner)	2
61	02-019938		HUB AND ROTOR ASSEMBLY	2
62			ROTOR, DISC BRAKE	1
63			HUB, FRONT WHEEL	1
64	02-019963		BOLT	A.R.
65	02-019920		CUP, WHEEL BEARING (Inner)	1
66	02-019939		CUP, WHEEL BEARING (Outer)	1
67	02-019940		CONE AND ROLLER, WHEEL BEARING (Outer)	2
68	02-019941		NUT, LOCK (Inner)	2
69	02-019942		WASHER, LOCK	2
70	02-019943		NUT, WHEEL BEARING ADJUSTING (Outer)	2
71	02-019903		CAP KIT, LOCKING HUB	2
72	02-019904		BODY KIT, LOCKING HUB	2
73	02-019902		SERVICE KIT, LOCKING HUB	2
74	02-019913		BOLT	16

TITLE

FRONT AXLE ASSEMBLY (PLATE 2 OF 2)

PLATE NO.

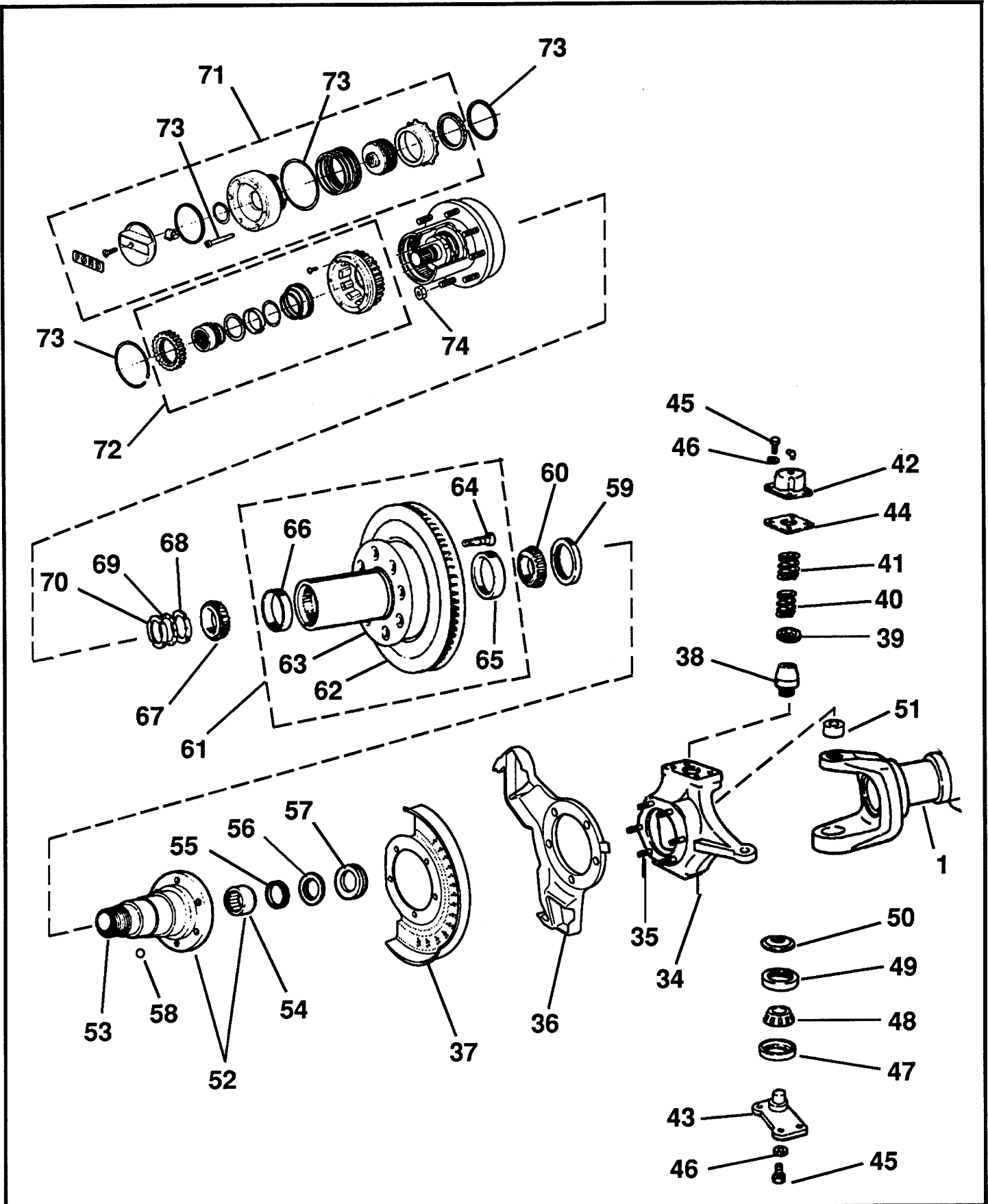
19.06

**SIMON AERIALS INC.**

REV. 05 MAR., 1992

PART NO.

02-019900



TITLE

FRONT AXLE ASSEMBLY (PLATE 2 OF 2)

**SIMON AERIALS INC.**

REV. 05 MAR., 1992

PART NO. 02-019900

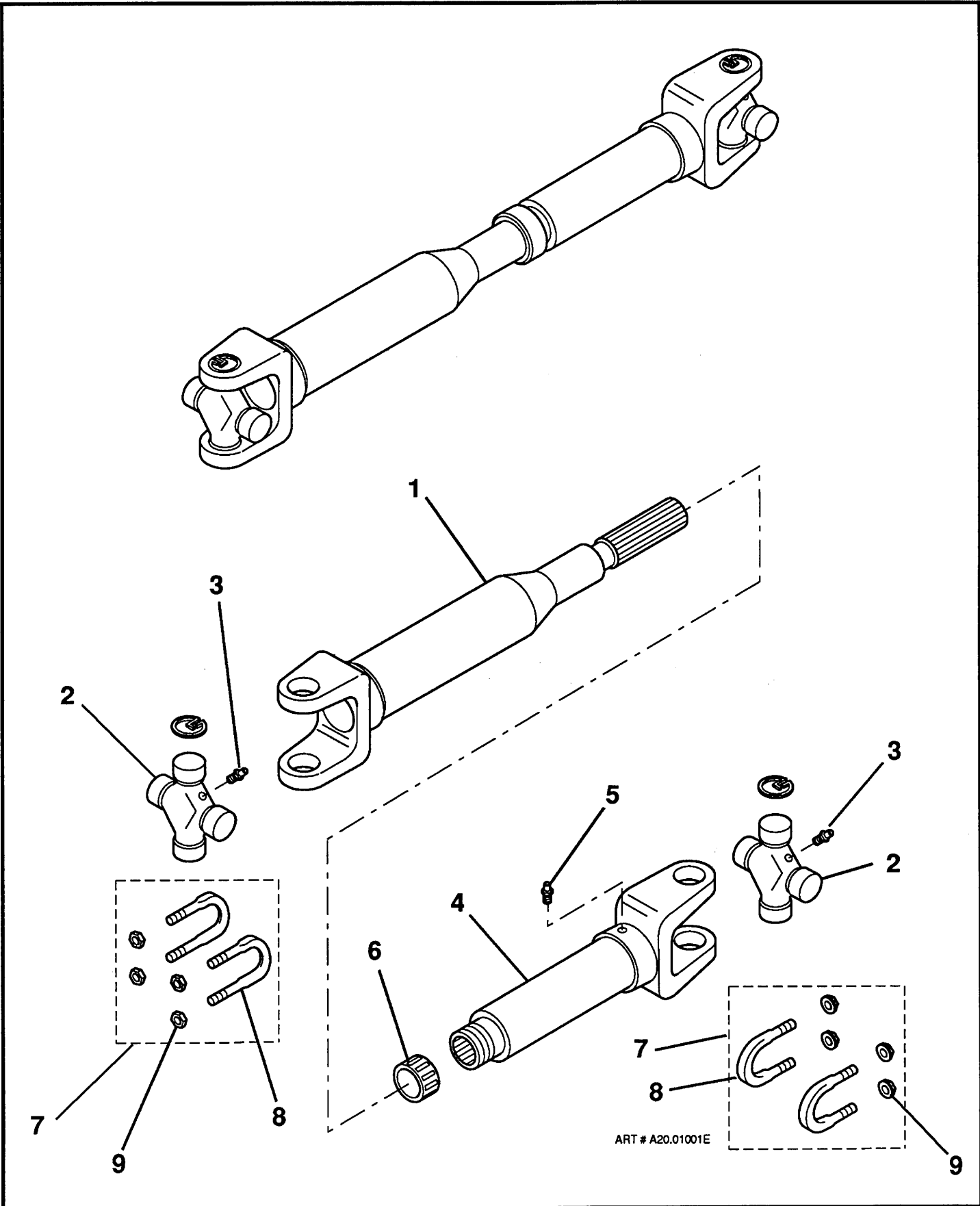
PLATE NO. 19.06

PA

ITEM	PART NO	SEE SECTION	
1	02-021704		YOKE, DRIVE
2	02-021703		JOINT, UNIVE
			[(2) 1-1/8" (2
3			FITTING, (
4	• 02-021708		YOKE, SLIP
5			FITTING, (
6	• 02-021709		SEAL, GREAS
			The following
			Shaft Assemb
7	02-026900		U-BOLT KIT (
8	02-021801		U-BOLT (1
9	07-050015		NUT, STO

TITLE FRONT

PLATE NO. 20.01 SIMON AERIAL



TITLE

FRONT DRIVE SHAFT

**SIMON AERIALS INC.**

REV. 17 AUG., 1993

PART NO.

02-021800

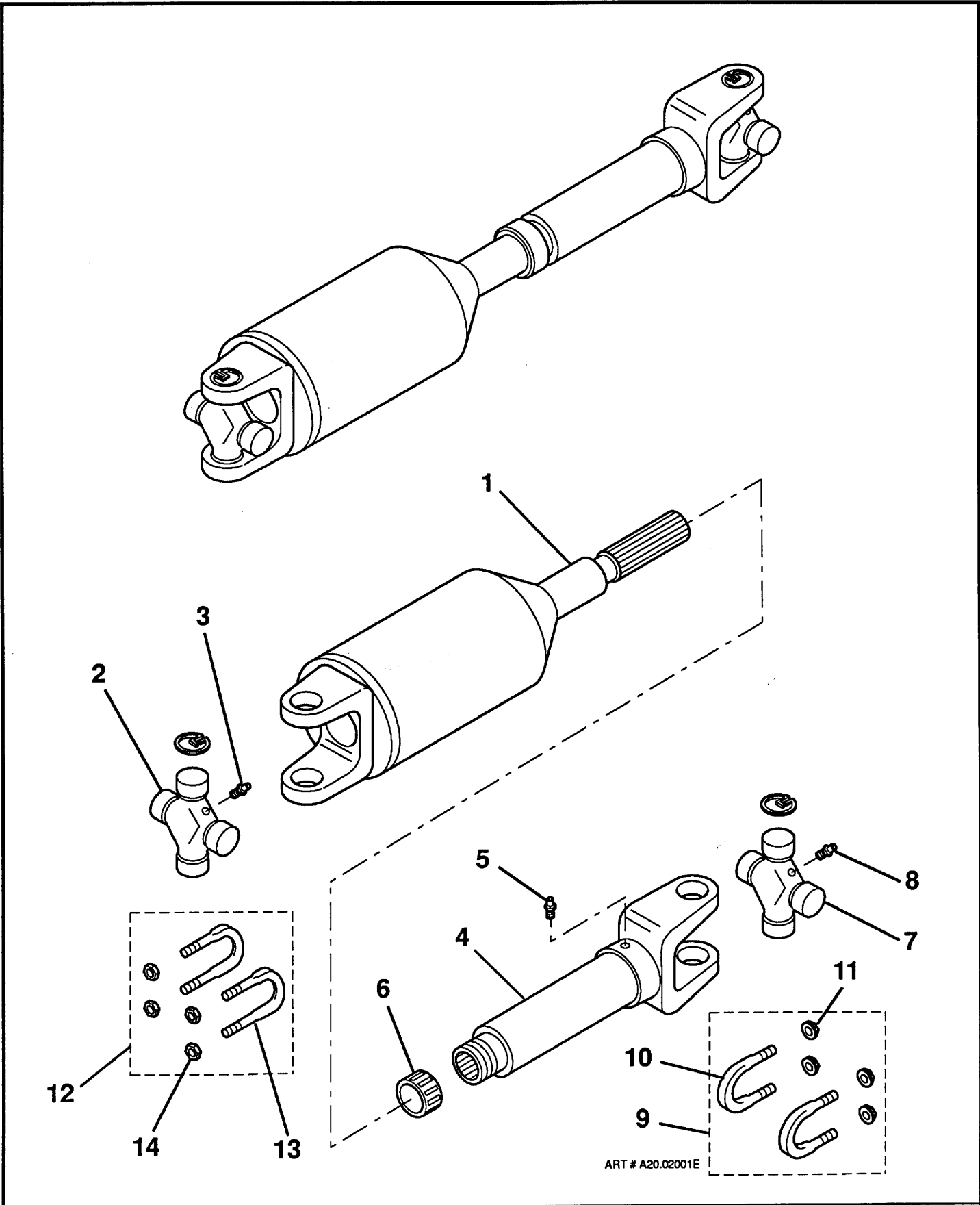
PLATE NO.

20.01



## PARTS LIST

ITEM	PART NO	SEE SECTION	DESCRIPTION	QTY.
1	02-021704		YOKE, DRIVE SHAFT	1
2	02-021703		JOINT, UNIVERSAL [(2) 1-1/16" (27 mm) and (2) 1-1/8" (28.5 mm) end caps]	1
3			FITTING, GREASE	1
4	02-021708		YOKE, SLIP	1
5			FITTING, GREASE	1
6	• 02-021709		SEAL, GREASE	1
7	02-021802		JOINT, UNIVERSAL [has (4) 1-1/16" (27 mm) dia. end caps]	1
8			FITTING, GREASE	1
The following parts are <b>not included</b> as part of the Drive Shaft Assembly:				
9	02-026900		U-BOLT KIT [1-1/8" (28.5 mm) dia.]	1
10	02-021801		U-BOLT [1-1/8" (28.5 mm)]	2
11	07-050015		NUT, STOP (5/16"-18, Grade 5)	4
12	02-026800		U-BOLT KIT [1-1/16" (27 mm) dia.]	1
13	02-021701		U-BOLT [1-1/16" (27 mm)]	2
14	07-050015		NUT, STOP (5/16"-18, Grade 5)	4



TITLE

REAR DRIVE SHAFT

**SIMON AERIALS INC.**

REV. 17 AUG., 1993

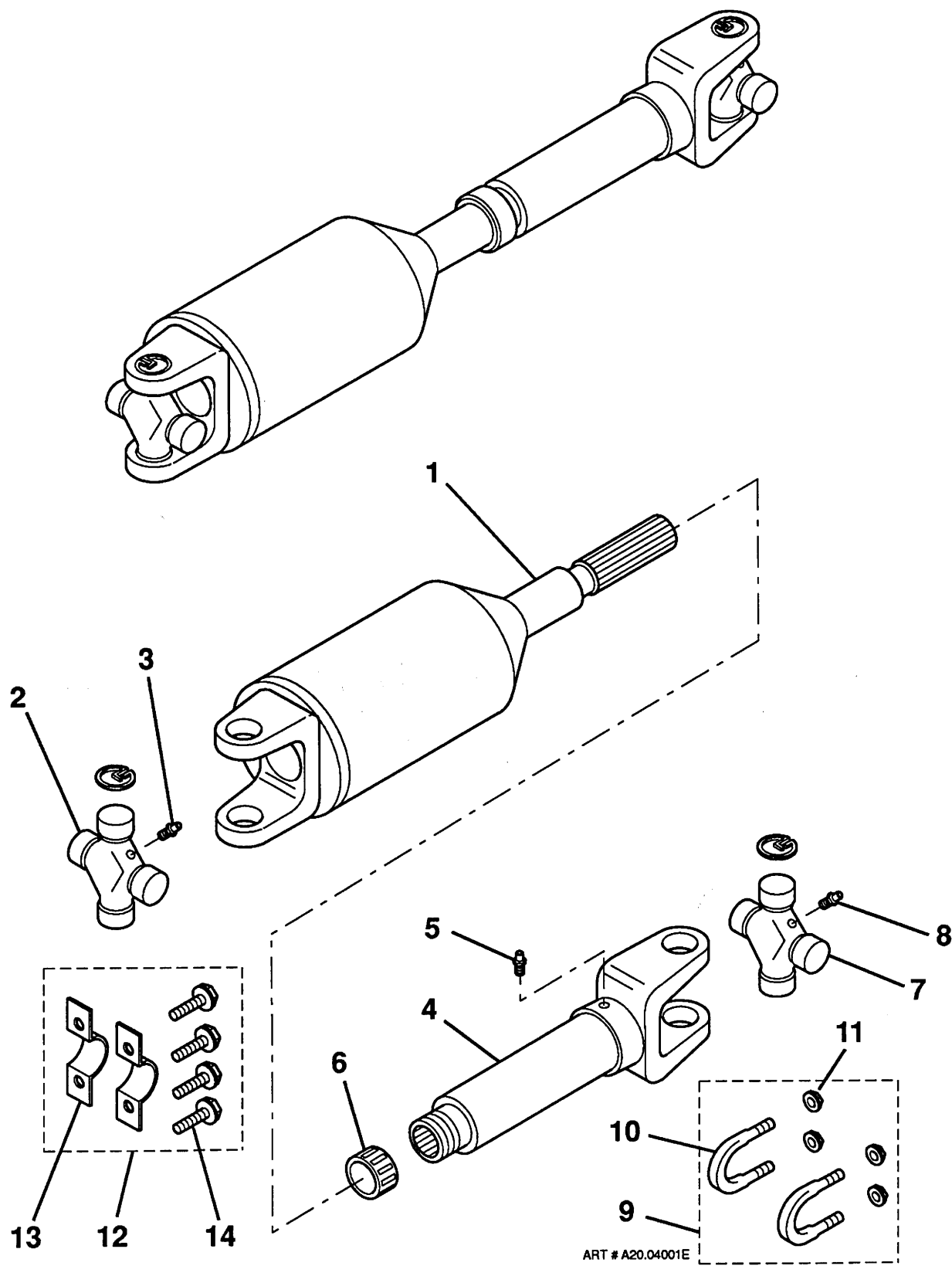
PART NO. 02-021700

PLATE NO. 20.02

# PARTS LIST

ITEM	PART NO	SEE SECTION	DESCRIPTION	QTY.
1	02-021704		YOKE, DRIVE SHAFT	1
2	• 02-026002		JOINT, UNIVERSAL [has (2) 1-1/6" (27 mm) and (2) 1-3/16" (30 mm) end caps]	1
3			FITTING, GREASE	1
4	02-021708		YOKE SLIP	1
5			FITTING, GREASE	1
6	• 02-021709		SEAL, GREASE	1
7	02-021703		JOINT, UNIVERSAL [(2) 1-1/8" (28.5 mm) and (2) 1-1/16" (27 mm) end caps]	1
8			FITTING, GREASE	1
The following parts are <b>not included</b> as part of the Drive Shaft Assembly:				
9	02-026900		U-BOLT KIT [1-1/8" (28.5 mm) dia.]	1
10	02-021801		U-BOLT [1-1/8" (28.5 mm)]	2
11	07-050015		NUT, STOP (5/16"-18, Grade 5)	4
12	02-026001		CLAMP KIT [1-3/16" (30 mm) dia.]	1
13			CLAMP	2
14			BOLT, HEX HEAD	4

TITLE REAR DRIVE SHAFT



TITLE

REAR DRIVE SHAFT

**SIMON AERIALS INC.**

REV. 17 AUG., 1993

PART NO.

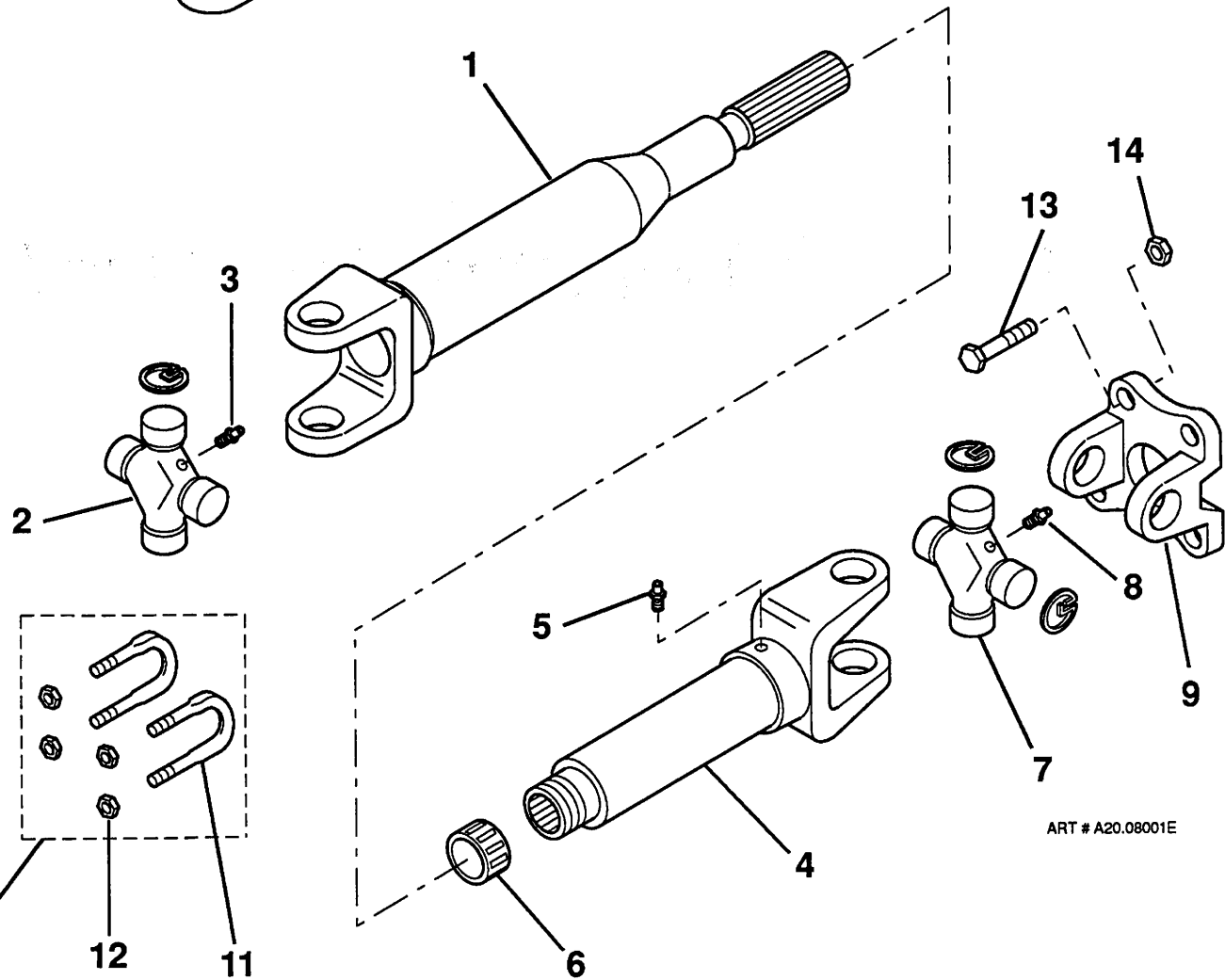
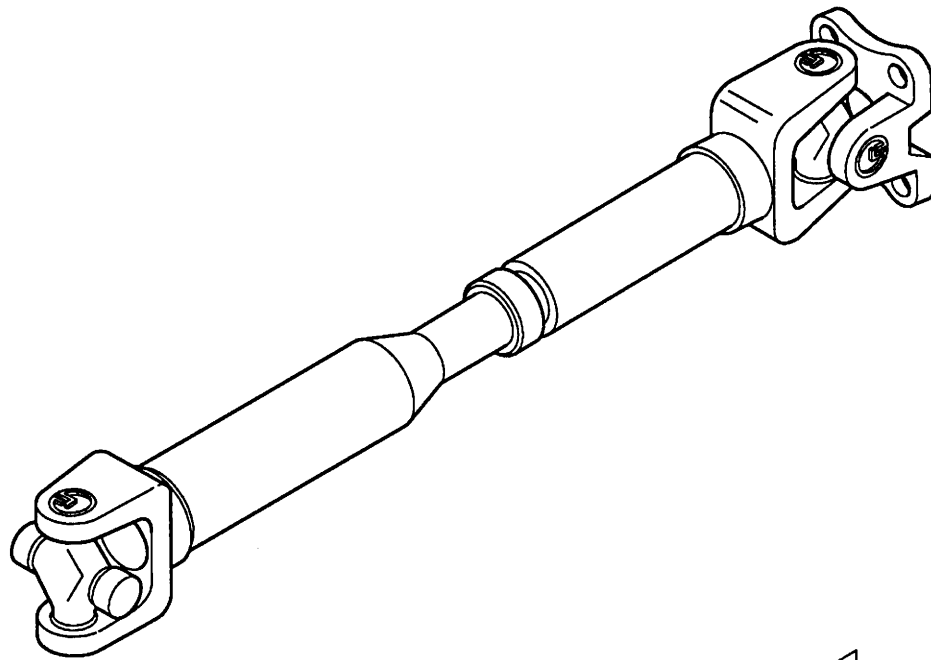
02-026000

PLATE NO.

20.04

## PARTS LIST

ITEM	PART NO	SEE SECTION	DESCRIPTION	QTY.
1	02-021704		YOKE, DRIVE SHAFT	1
2	02-021703		JOINT, UNIVERSAL [has (2) 1-1/8" and (2) 1-1/16" end caps]	1
3			FITTING, GREASE	1
4			YOKE, SLIP	1
5			FITTING, GREASE	1
6	02-021709		SEAL, GREASE	1
7	02-021802		JOINT, UNIVERSAL [has (4) 1-1/16" end caps]	1
8			FITTING, GREASE	1
9	02-031700		YOKE, FLANGE	1
The following parts are <b>not included</b> as part of the Drive Shaft Assembly:				
10	02-026900		U-BOLT KIT (1-1/8")	1
11	02-021801		U-BOLT (1-1/8")	2
12	07-050015		NUT, STOP (5/16"-18, Grade 5)	4
13	07-012100		CAP SCREW, HEX HEAD (M12-1.75 x 40 mm, Class 8.8)	4
14	07-039007		NUT, HEX (M12-1.75, Class 10.9)	4



ART # A20.08001E

TITLE FRONT DRIVE SHAFT

<b>SIMON AERIALS INC.</b>	<small>REV. 28 FEB., 1992</small>	<b>PART NO. 02-030100</b>	<b>PLATE NO. 20.08</b>
---------------------------	-----------------------------------	---------------------------	------------------------

## PARTS LIST

ITEM	PART NO	SEE SECTION	DESCRIPTION	QTY.
1	02-021702		YOKE, SLIP (includes universal joint)	2
2	02-021703		JOINT, UNIVERSAL [(2) 1-1/8" (28.5 mm) and (2) 1-1/16" (27 mm) end caps]	1
3	02-021709		SEAL, GREASE	1
4			FITTING, GREASE	1
5	2136220		SHAFT, SPLINED	1
6	2136390		COLLAR, THROWOUT BEARING (inner)	1
7	08-062900		RING, RETAINING	2
8	08-062800		BEARING, BALL	1
9	08-063100		RING, RETAINING	1
10	2136400		COLLAR, THROWOUT BEARING (outer)	1
11	08-063200		RING, RETAINING	1
12	2136230		SHAFT, IDLER	1
13	08-062700		BEARING, NEEDLE	2
14	08-063400		BEARING, THRUST (bronze)	2
15	07-060020		WASHER, FLAT (9/16")	1
16	08-063000		RING, RETAINING	1
The following parts are <b>not included</b> as part of the drive shaft assembly:				
17	02-026900		U-BOLT KIT [1-1/8" (28.5 mm) dia.]	1
18	02-021801		U-BOLT [1-1/8" (28.5 mm)]	2
19	07-050015		NUT, STOP (5/16"-18, Grade 5)	4
20	02-026800		U-BOLT KIT [1-1/16" (27 mm) dia.] (for models with two wheel drive)	1
21	02-021701		U-BOLT [1-1/16" (27 mm)]	2
22	07-050015		NUT, STOP (5/16"-18, Grade 5)	4
23	02-026001		CLAMP KIT [1-3/16" dia.] (for models with four wheel drive)	1
24			CLAMP	2
25			BOLT, HEX HEAD	4

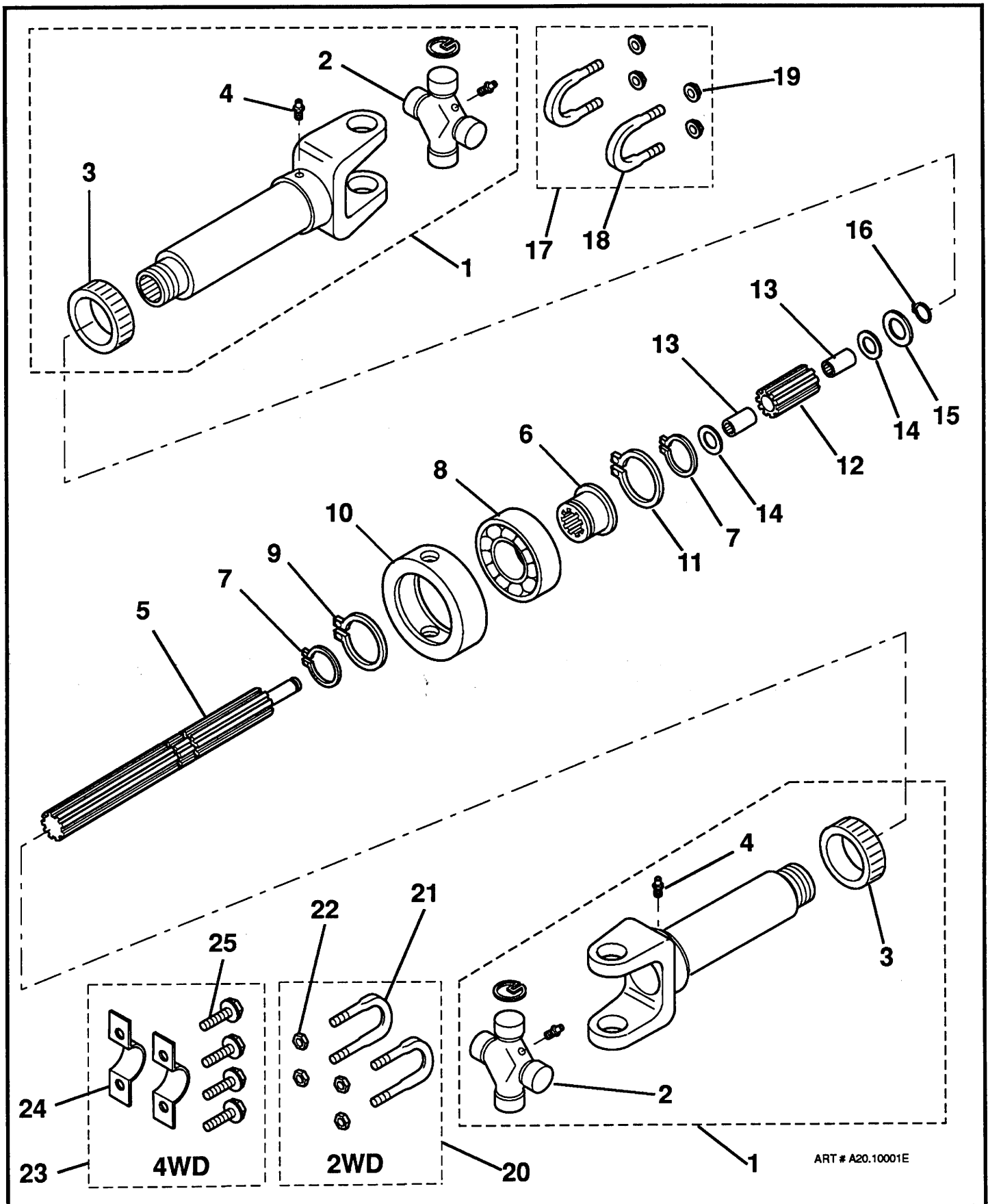
TITLE DRIVE SHAFT, REAR (DISENGAGEABLE) . . . WITH TOW PACKAGE

PLATE NO. 20.10

**SIMON AERIALS INC.**

REV. 17 AUG., 1993

PART NO. 2136450



ART # A20.10001E

TITLE DRIVE SHAFT, REAR (DISENGAGEABLE) ... WITH TOW PACKAGE

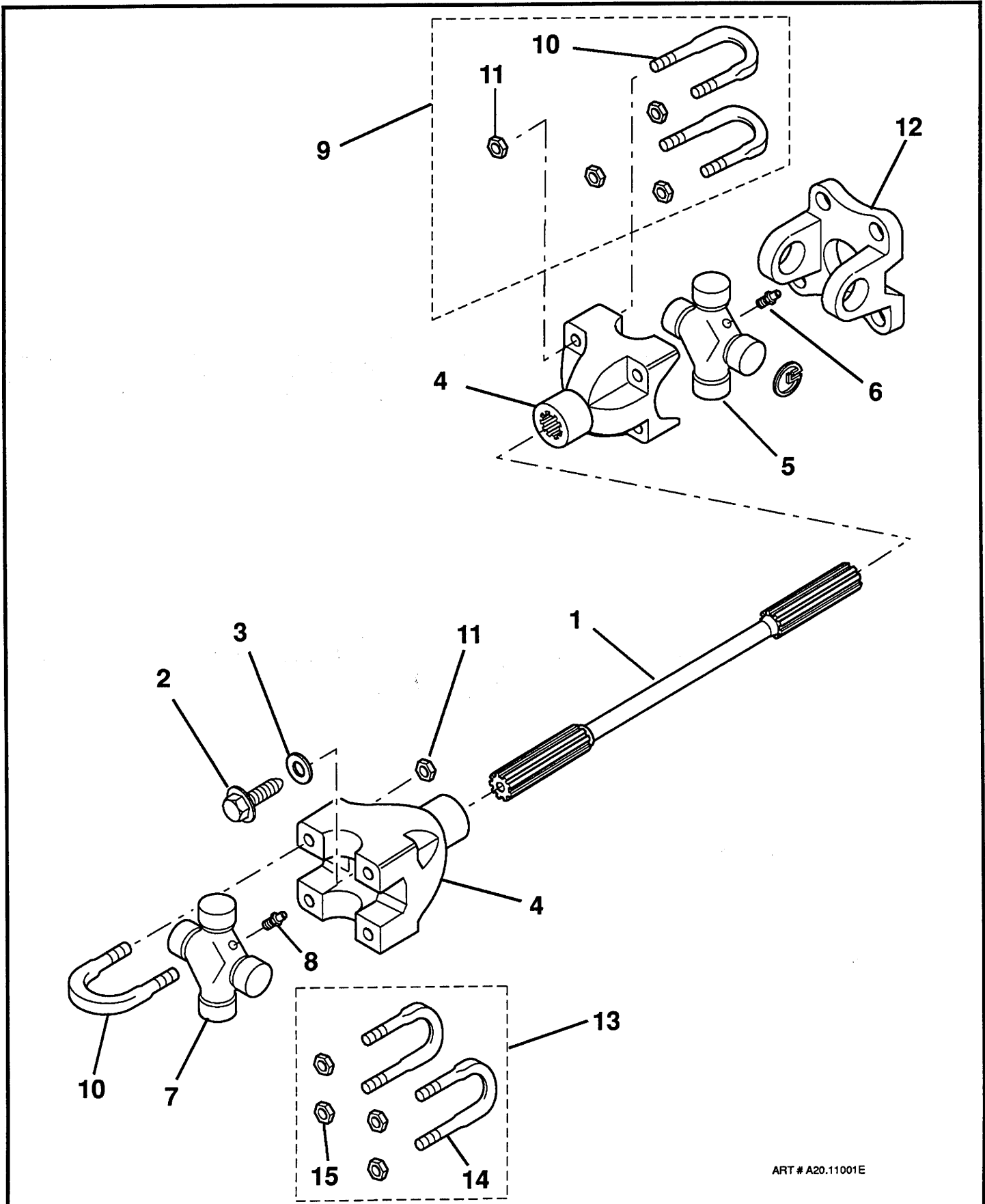
<b>SIMON AERIALS INC.</b>	REV. 17 AUG., 1993	<b>PART NO. 2136450</b>	<b>PLATE NO. 20.10</b>
---------------------------	--------------------	-------------------------	------------------------



# PARTS LIST

ITEM	PART NO	SEE SECTION	DESCRIPTION	QTY.
1	2146160		SHAFT , AXLE (1" Dia.)	1
2	07-003041		CAP SCREW, HEX HEAD (3/8"-16 x 1/2", Grade 5)	2
3	07-062018		WASHER, FLAT (1/2")	2
4	02-026500		YOKE, SLIP	2
5	02-026600		JOINT, UNIVERSAL [has (4) 1-1/16" dia. End Caps]	1
6			FITTING, GREASE	1
7	02-026700		JOINT, UNIVERSAL [(2) 1-1/16" & (2) 1-1/8" dia. End Caps]	1
8			FITTING, GREASE	1
9	02-026800		U-BOLT KIT (1-1/16" dia.)	2
10	02-021701		U-BOLT (1-1/16")	2
11	07-050015		NUT, STOP (5/16"-18, Grade 5)	4
12	02-031700		YOKE, FLANGE	1
The following parts are <b>not included</b> as part of the Drive Shaft Assembly:				
13	02-026900		U-BOLT KIT (1-1/8" dia.)	1
14	02-021801		U-BOLT (1-1/8")	2
15	07-050015		NUT, STOP (5/16"-18, Grade 5)	4

TITLE FRONT DRIVE SHAFT



ART # A20.11001E

TITLE

FRONT DRIVE SHAFT

**SIMON AERIALS INC.**

REV. 10/26/90

PART NO. 3521150

PLATE NO. 20.11

## PARTS LIST

ITEM	PART NO	SEE SECTION	DESCRIPTION	QTY.
1	02-023700		ACTUATOR, ROTARY	1
2			HOUSING	1
3	02-023703		SHAFT	1
4			SLEEVE	1
5			PISTON	1
6			CAP, END	1
7	02-023704		NUT	1
8	02-023705		NUT, LOCK	1
9	02-023706		CAP SCREW	4
10			SET SCREW	2
11			PLUG, PORT	2
12	02-023701		SEAL KIT	1
13			SEAL, PISTON	1
14			SEAL, CAP	1
15			RING, BACKUP	1
16			SEAL, EXCLUSION	2
17			PACKING, ROD	2
18			PACKING, PISTON	2
19			PACKING, BEARING	2
20	02-023702		BEARING KIT	1
21			BEARING	3
22			WASHER, THRUST	2
The following items are not part of Rotary Actuator 02-023700:				
23	01-202000		CHECK VALVE, PILOT OPERATED	1
24	2144710		TUBE ASSEMBLY, HYDRAULIC ROTATOR	2

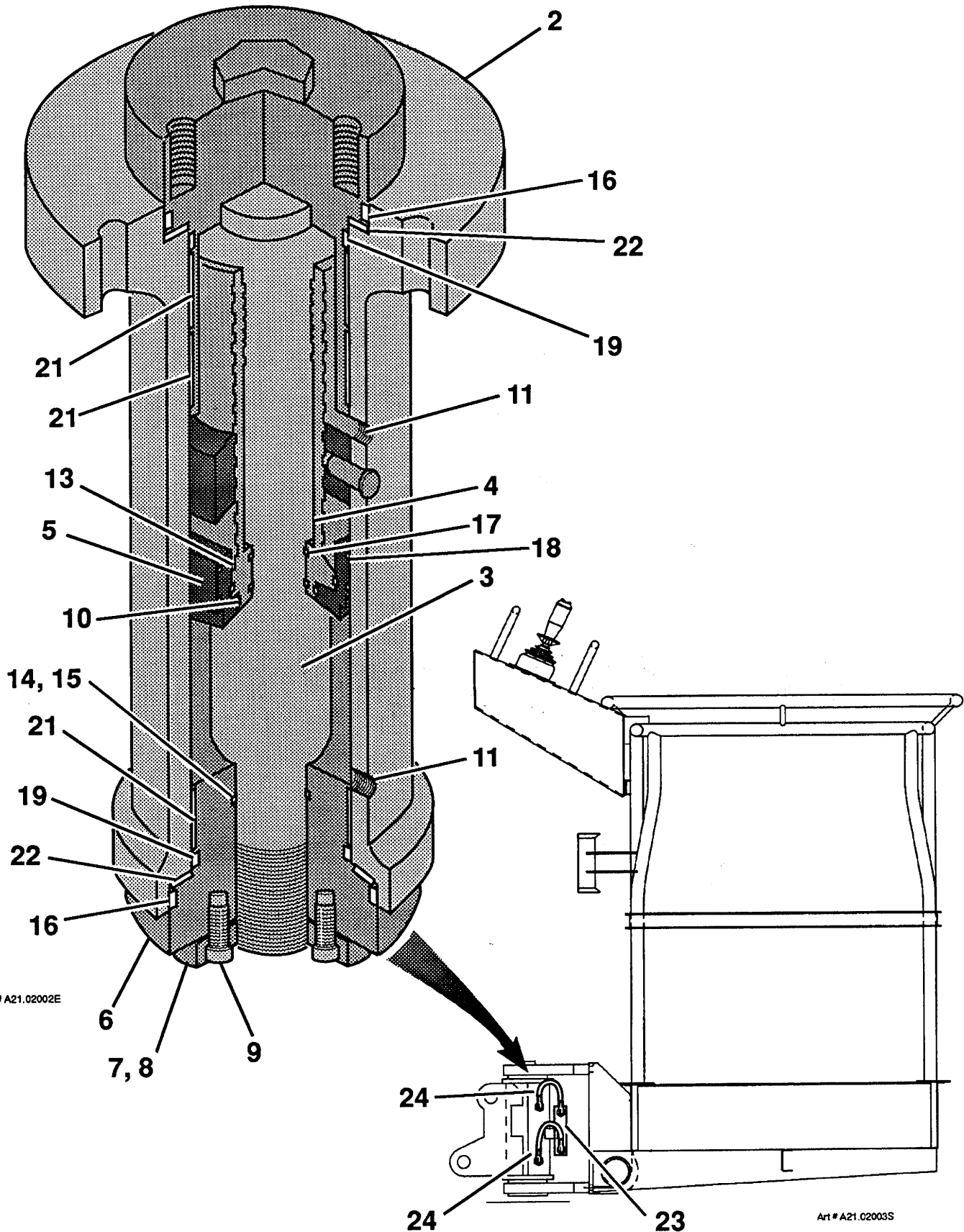
TITLE ROTARY ACTUATOR

PLATE NO. 21.02

**SIMON AERIALS INC.**

REV. 17 AUG., 1993

PART NO. 02-023700

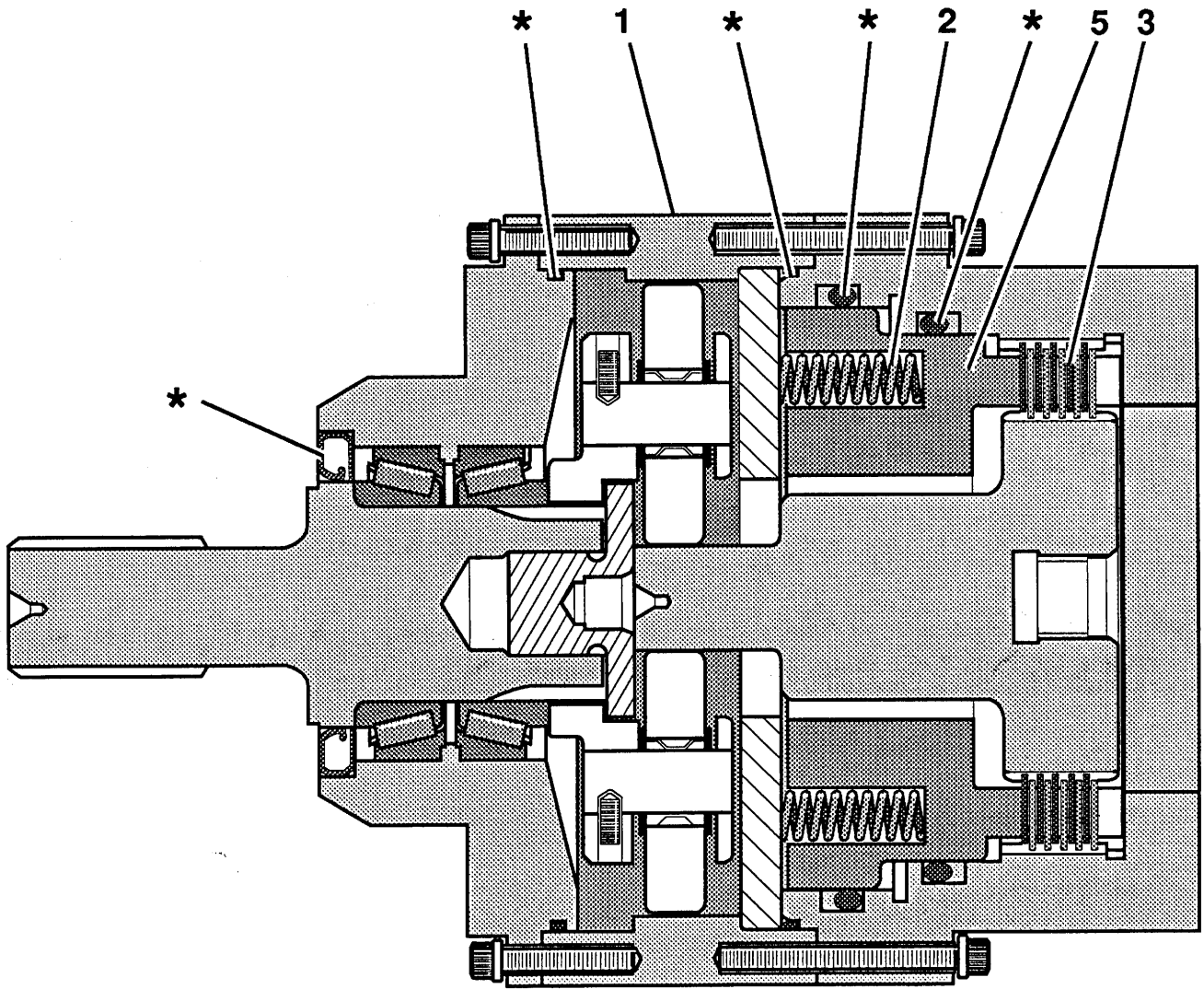


TITLE		ROTARY ACTUATOR		
SIMON AERIALS INC.	REV. 17 AUG., 1993	PART NO.	02-023700	PLATE NO. 21.02

## PARTS LIST

ITEM	PART NO	SEE SECTION	DESCRIPTION	QTY.
1	02-023800		SPEED REDUCER WITH BRAKE <b>Note:</b> This Speed Reducer can be identified by the number "103-0011-1" appearing on the nameplate.	1
2	02-023801		SPRING KIT	1
3	02-023802		PAD KIT	1
4	02-023803		SEAL KIT	1
5	02-023804		<b>Note:</b> kit items identified on illustration by asterisk (*) PISTON, BRAKE	1

TITLE	SPEED REDUCER WITH BRAKE		
PLATE NO.	22.03	<b>SIMON AERIALS INC.</b>	REV. 17 AUG., 1993
PART NO.	02-023800		



TITLE

SPEED REDUCER WITH BRAKE

**SIMON AERIALS INC.**

REV. 17 AUG., 1993

PART  
NO.

02-023800

PLATE  
NO.

22.03

# PARTS LIST

ITEM	PART NO	SEE SECTION	DESCRIPTION	QTY.
1	02-025400		SPEED REDUCER WITH BRAKE Type 1 (can be identified by the number "103-0013-1" appearing on the nameplate)	1
	02-028900		Type 2 (can be identified by the number "103-0013-2" appearing on the nameplate)	1
2			SPRING KIT	
	02-023801		for "Type 1" Reducer	1
	---		for "Type 2" Reducer	1
3			PAD KIT	
	02-023802		for "Type 1" Reducer	1
	---		for "Type 2" Reducer	1
4	02-023803		SEAL KIT (for "Type 1" or "Type 2" Reducer)	1
			<b>Note:</b> kit items identified on illustration by asterisk (*).	
5			SHAFT, OUTPUT	
	---		for "Type 1" Reducer	1
	02-028901		for "Type 2" Reducer	1

TITLE SPEED REDUCER WITH BRAKE

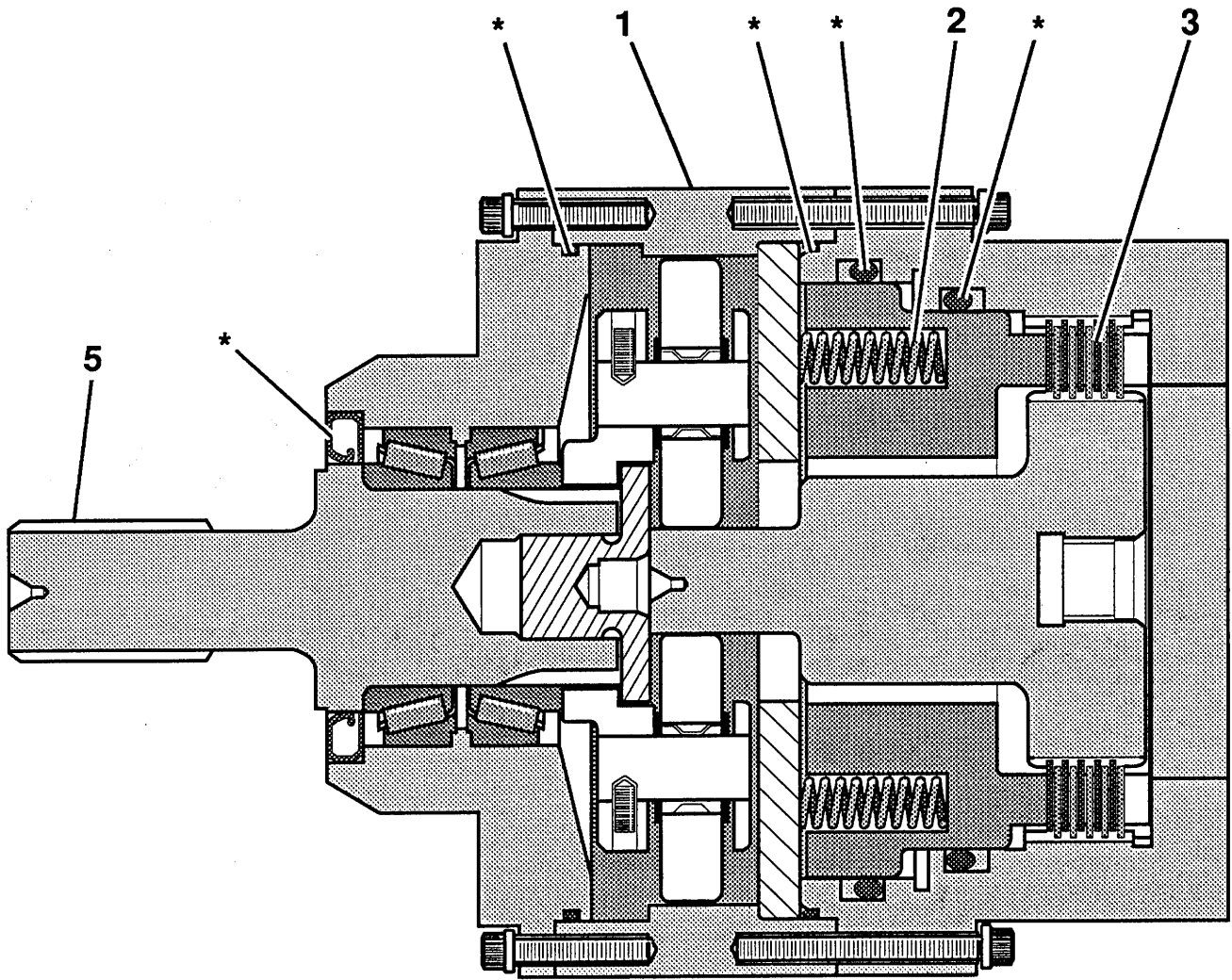
PLATE NO.

22.04

**SIMON AERIALS INC.**

REV. 17 AUG., 1993

PART NO.



TITLE

SPEED REDUCER WITH BRAKE

**SIMON AERIALS INC.**

REV. 17 AUG., 1993

PART  
NO.

PLATE  
NO.

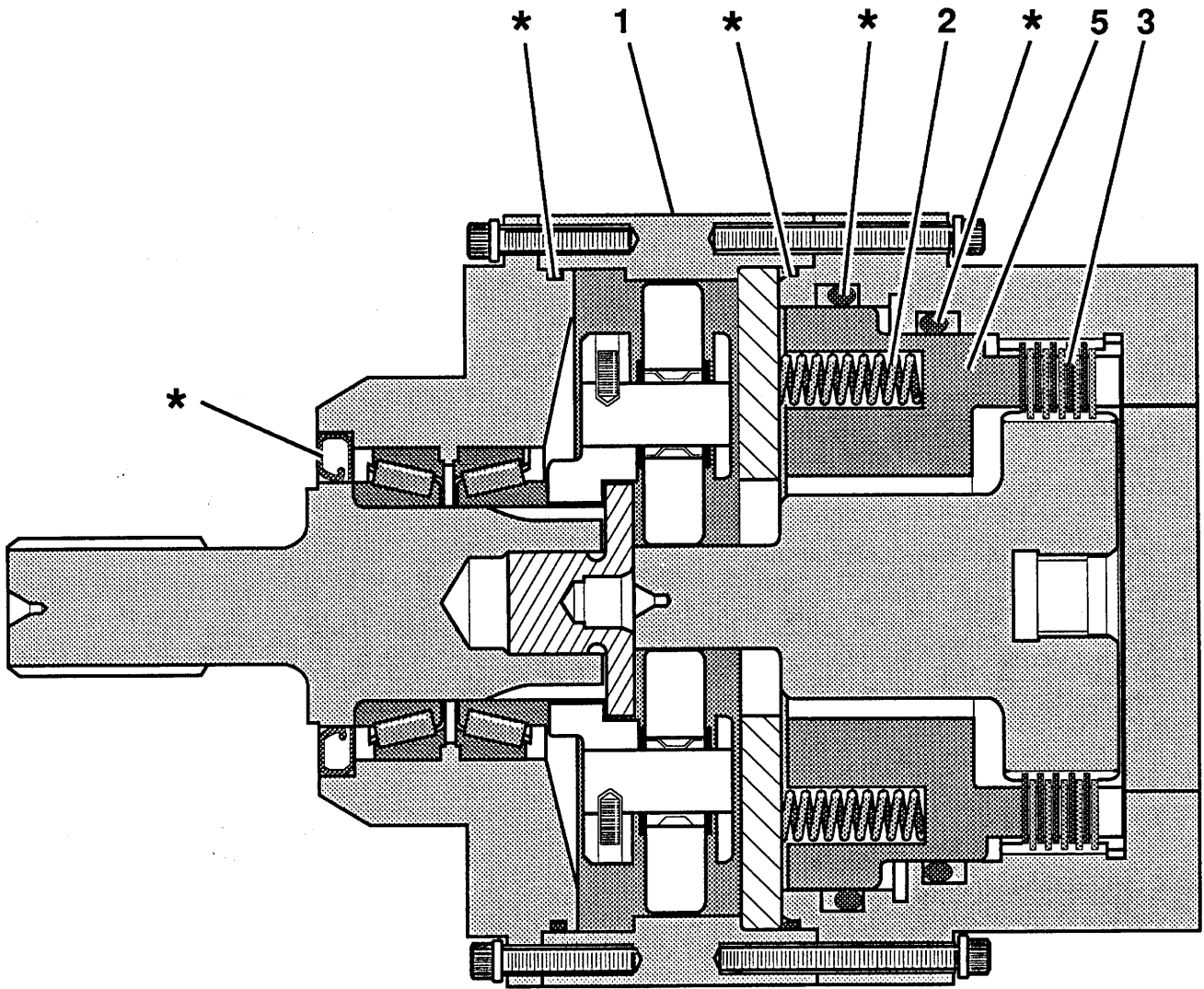
22.04



## PARTS LIST

ITEM	PART NO	SEE SECTION	DESCRIPTION	QTY.
1	02-029000		SPEED REDUCER WITH BRAKE <b>Note:</b> This Speed Reducer can be identified by the number "103-0011-2" appearing on the nameplate.	1
2	02-023801		SPRING KIT	1
3	02-023802		PAD KIT	1
4	02-023803		SEAL KIT	1
5	02-023804		<b>Note:</b> kit items identified on illustration by asterisk (*) PISTON, BRAKE	1

TITLE		SPEED REDUCER WITH BRAKE		
PLATE NO.	22.05	<b>SIMON AERIALS INC.</b>	<small>REV. 17 AUG., 1993</small>	PART NO. 02-029000



TITLE

SPEED REDUCER WITH BRAKE

**SIMON AERIALS INC.**

REV. 17 AUG., 1993

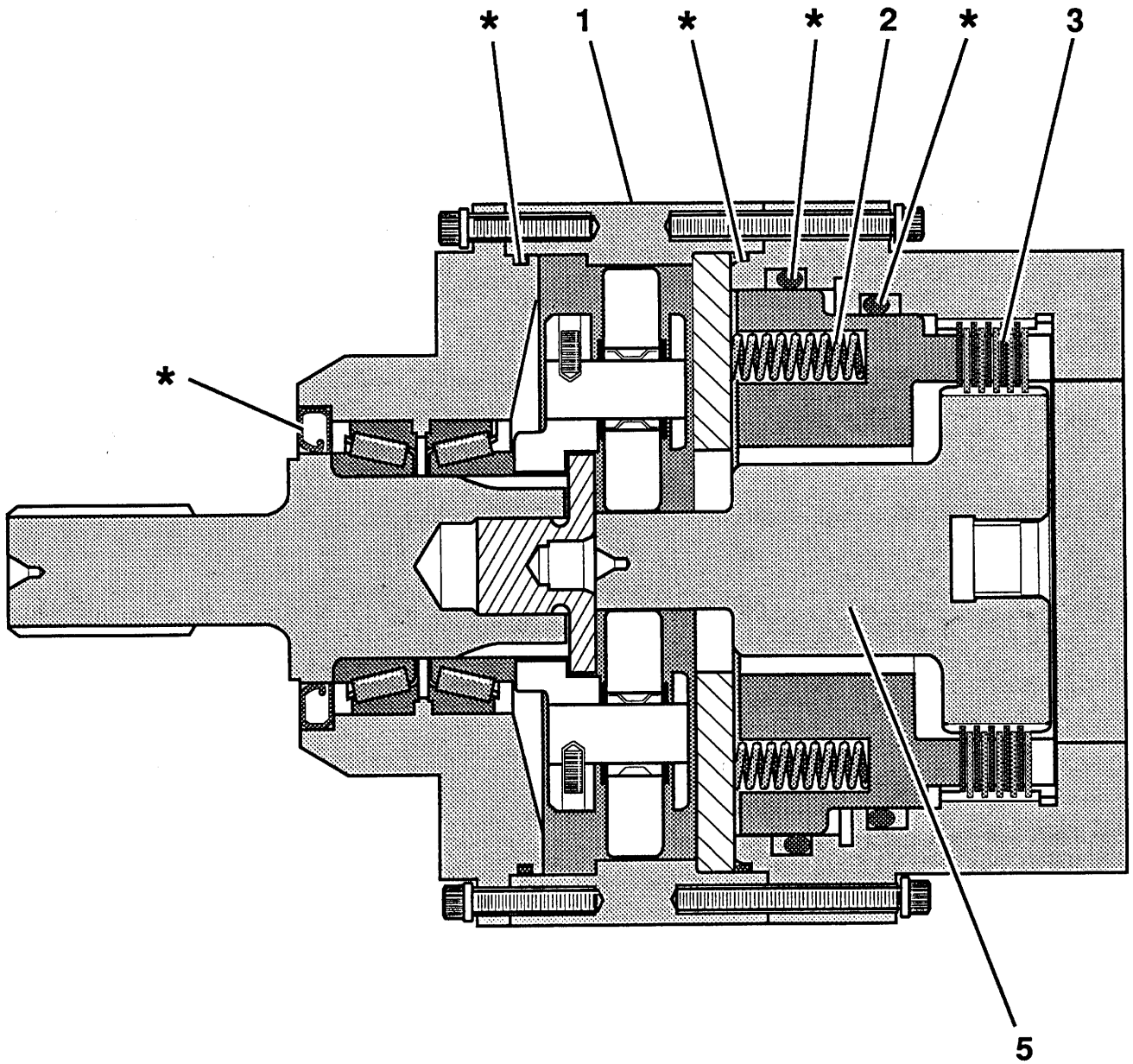
PART  
NO.

02-029000

PLATE  
NO.

22.05





TITLE

SPEED REDUCER WITH BRAKE

**SIMON AERIALS INC.**

REV. 17 AUG., 1993

PART  
NO.

02-025300

PLATE  
NO.

22.06

## PARTS LIST

ITEM	PART NO	SEE SECTION	DESCRIPTION	QTY.
1	01-086801		VALVE, STEER (S1 and S2) (Superceded by 01-207600)	2
	01-207600		VALVE, STEER (S1 and S2) (Incl. coil, replaces 01-086801)	2
2	01-086803		SEAL KIT, STEER VALVE	
			(Used for 01-086801 only. Not for valve 01-207600.)	2
3	01-086802		COIL, STEER VALVE SOLENOID	
			(Used for 01-086801 only. Not for valve 01-207600.)	2
4	01-086804		VALVE, LIFT (S3)	1
5	01-086806		SEAL KIT, LIFT VALVE	1
6	01-086805		COIL, LIFT VALVE SOLENOID	1
7	01-086814		VALVE, BRAKE NEEDLE (N1)	1
8	01-086808		SEAL KIT, BRAKE NEEDLE VALVE	1
9	01-086807		VALVE, LOW SPEED (S7)	1
			SEAL KIT, LOW SPEED VALVE	1
10	01-086808		COIL, LOW SPEED VALVE SOLENOID	1
11	01-086805		VALVE, DRIVE RELIEF (R2)	1
12	01-086813		SEAL KIT, DRIVE RELIEF VALVE	1
13	01-086812		VALVE, DRIVE POWER SWITCH CONTROL (S4)	1
14	01-086807		SEAL KIT, DRIVE POWER SWITCH CONTROL VALVE	1
15	01-086808		COIL, DRIVE POWER SWITCH CNTRL.VALVE SOLENOID	1
16	01-086805		VALVE, BRAKE (S6)	1
17	01-086809		SEAL KIT, BRAKE VALVE	1
18	01-086810		COIL, BRAKE VALVE SOLENOID	1
19	01-086805		VALVE, HIGH SPEED (S5)	1
20	01-086809		SEAL KIT, HIGH SPEED VALVE	1
21	01-086810		COIL, HIGH SPEED VALVE SOLENOID	1
22	01-086805		VALVE, SYSTEM RELIEF (R1)	1
23	01-086811		SEAL KIT, SYSTEM RELIEF VALVE	1
24	01-086812		VALVE, CHECK (C1)	1
25	01-086815		SEAL KIT, CHECK VALVE	1
26	01-086806			

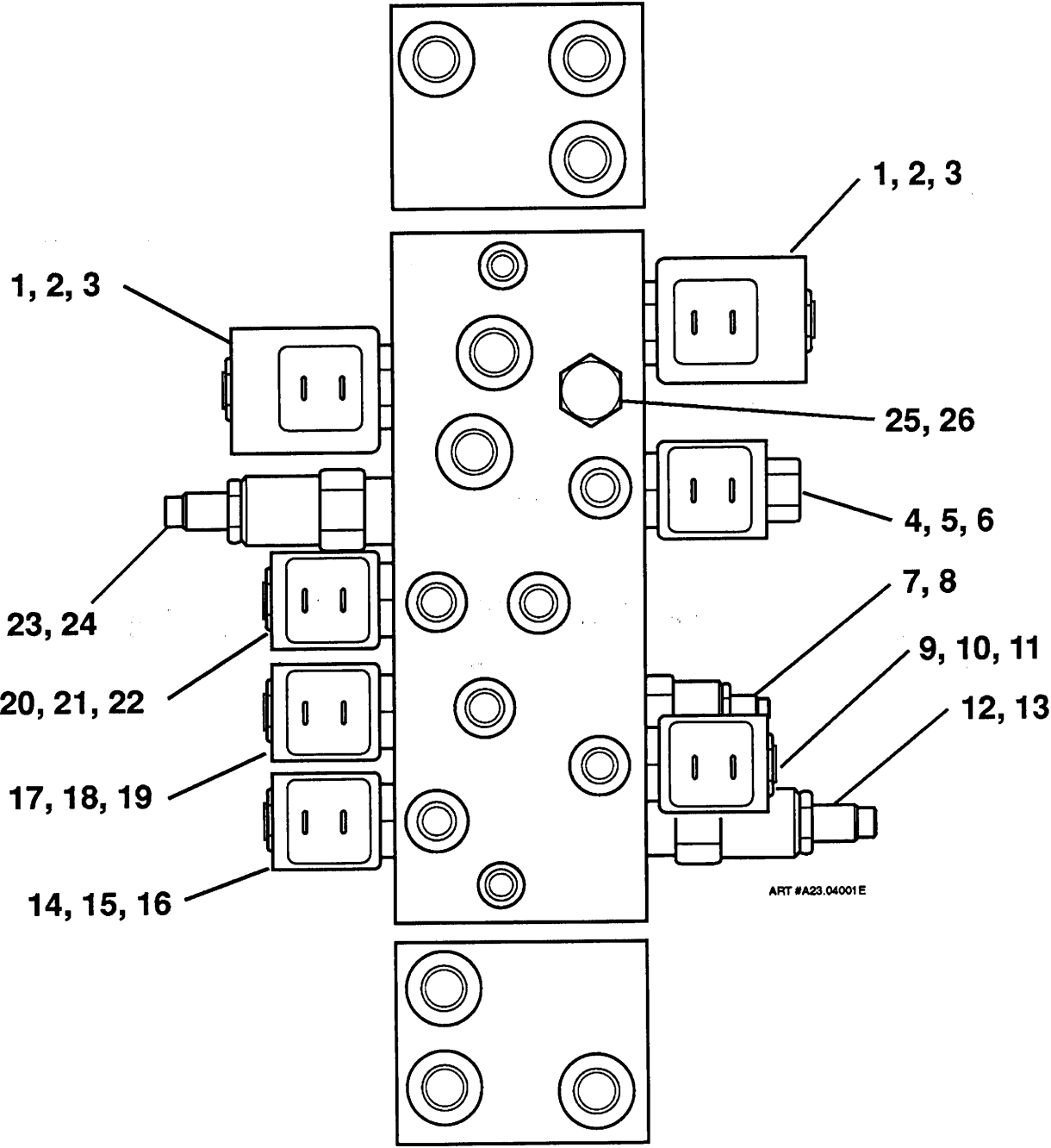
TITLE HYDRAULIC MANIFOLD ASSEMBLY

PLATE NO. **23.04**

**SIMON AERIALS INC.**

REV. 12 DEC., 1991

PART NO. **01-086800**



ART #A23.04001 E

TITLE

HYDRAULIC MANIFOLD ASSEMBLY

**SIMON AERIALS INC.**

REV. 12 DEC., 1991

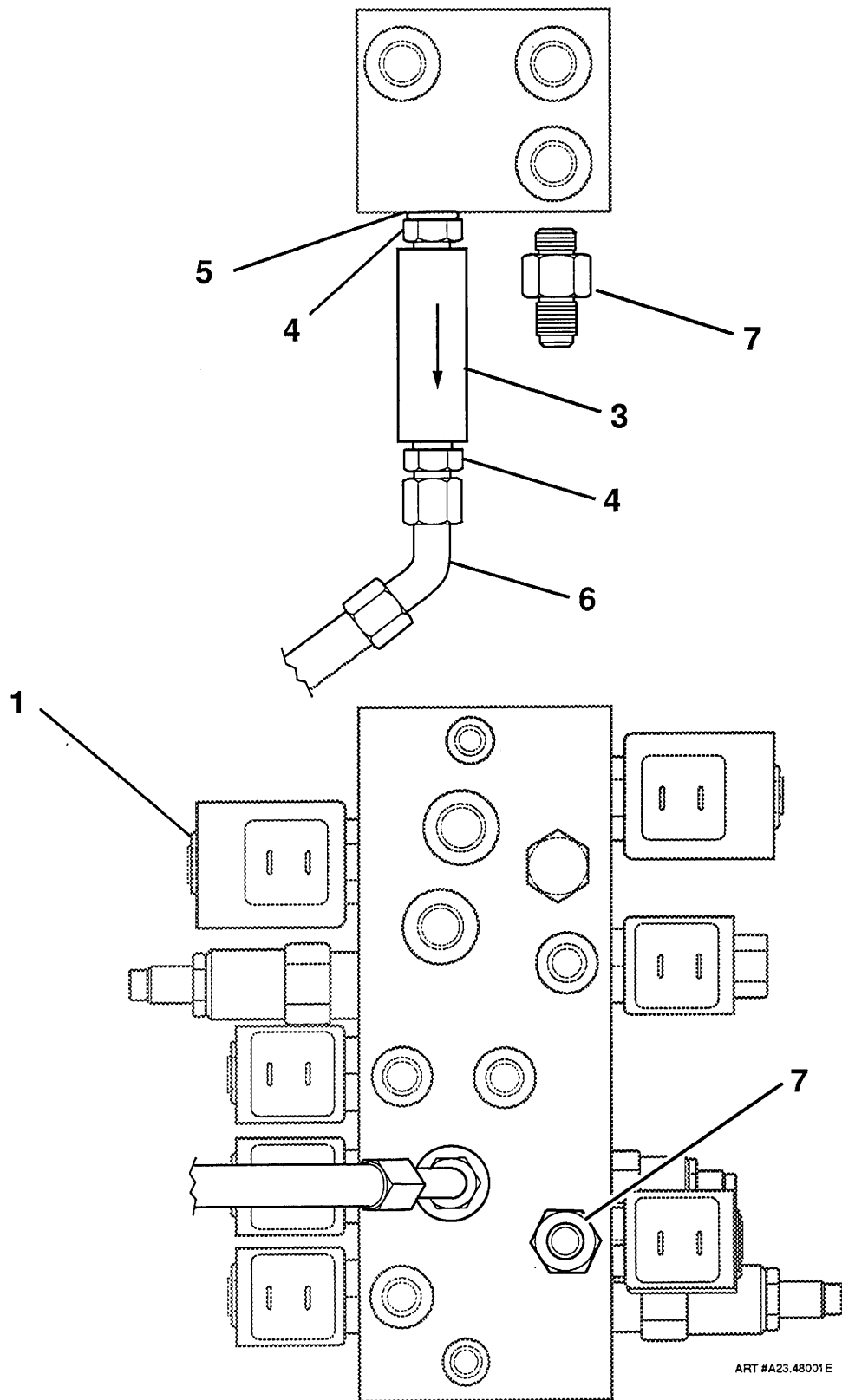
PART NO.

01-086800

PLATE NO.

23.04





TITLE

HYDRAULIC MANIFOLD ASSEMBLY, AT30C, AT40C

**SIMON AERIALS INC.**

REV. 17 AUG., 1993

PART  
NO.

PLATE  
NO. 23.48



## PARTS LIST

ITEM	PART NO	SEE SECTION	DESCRIPTION	QTY.
1	2139290		TANK WELDMENT, HYDRAULIC ( <b>First type:</b> Both filters are on engine side of tank) TANK WELDMENT, HYDRAULIC ( <b>Second type:</b> One filter is at rear of machine, other on engine side of tank)	1
	2171370		without heater orifice	1
	2187010		with heater orifice	1
2	2142090		COVER, HYDRAULIC TANK CLEANOUT	1
3	01-087600		O-RING, COVER	1
4	07-003086		CAP SCREW, HEX HEAD (1/2"-13 x 1-1/4", Grade 5)	1
5	01-087700		WASHER, FLAT (with "O"-ring seal)	1
6	10-001800		CAP, HYDRAULIC TANK	1
7	2144600		STRAINER	1
8	10-032500		GAUGE, SIGHT (7")	1
9			FILTER ASSEMBLY, SUCTION LINE	
	01-082000		Obsolete. Use 01-201900.	1
	01-201900		With gauge. Replaces obsolete filter 01-082000.	1
10	01-082001		ELEMENT, SUCTION LINE FILTER	1
11			FILTER ASSEMBLY, RETURN LINE	
	01-080500		Obsolete. Use 01-201800.	1
	01-201800		Replaces obsolete filter 01-080500.	1
12	01-080501		INDICATOR, FILTER	1
13	01-080502		ELEMENT, RETURN LINE FILTER	1
14	2143340		MANIFOLD, RETURN LINE	1
15	06-000900		CONNECTOR, MALE (6-6 FTX-S)	4
16	06-079000		ADAPTER, SWIVEL NUT (6 F65X-S)	1
17	01-202100		VALVE, BRAKE SYSTEM DUMP (includes cartridge & coil)	1
			<b>Note:</b> Cartridge is stamped <b>SV08-24</b> . Earlier valves, with cartridges stamped <b>SV08-21</b> or <b>SV08-20</b> will be replaced with this latest type.	1
18	01-202101		CARTRIDGE (stamped <b>SV08-24</b> ) <b>Note:</b> Earlier cartridges, stamped <b>SV08-21</b> or <b>SV08-20</b> will be replaced with this latest type.	1
19	01-086805		COIL, BRAKE DUMP VALVE SOLENOID <b>Note:</b> Replacement coil may have terminals or leads. Modify as required for proper installation.	1
20			WASHER, FLAT	1
21			NUT	1
22	06-044600		90° ELBOW, STRAIGHT THREAD (6 C50X-S)	1
23	3515560		PUMP ASSEMBLY, EMERGENCY HYDRAULIC	1
24	01-027200	12.03	PUMP, EMERGENCY HYDRAULIC	1
25	06-044800		90° ELBOW, STRAIGHT THREAD (8 C50X-S)	1
26	06-048500		RUN TEE, MALE "O"-RING (6 R50X-S)	1

TITLE

HYDRAULIC TANK ASSEMBLY (PLATE 1 OF 2)

PLATE NO.

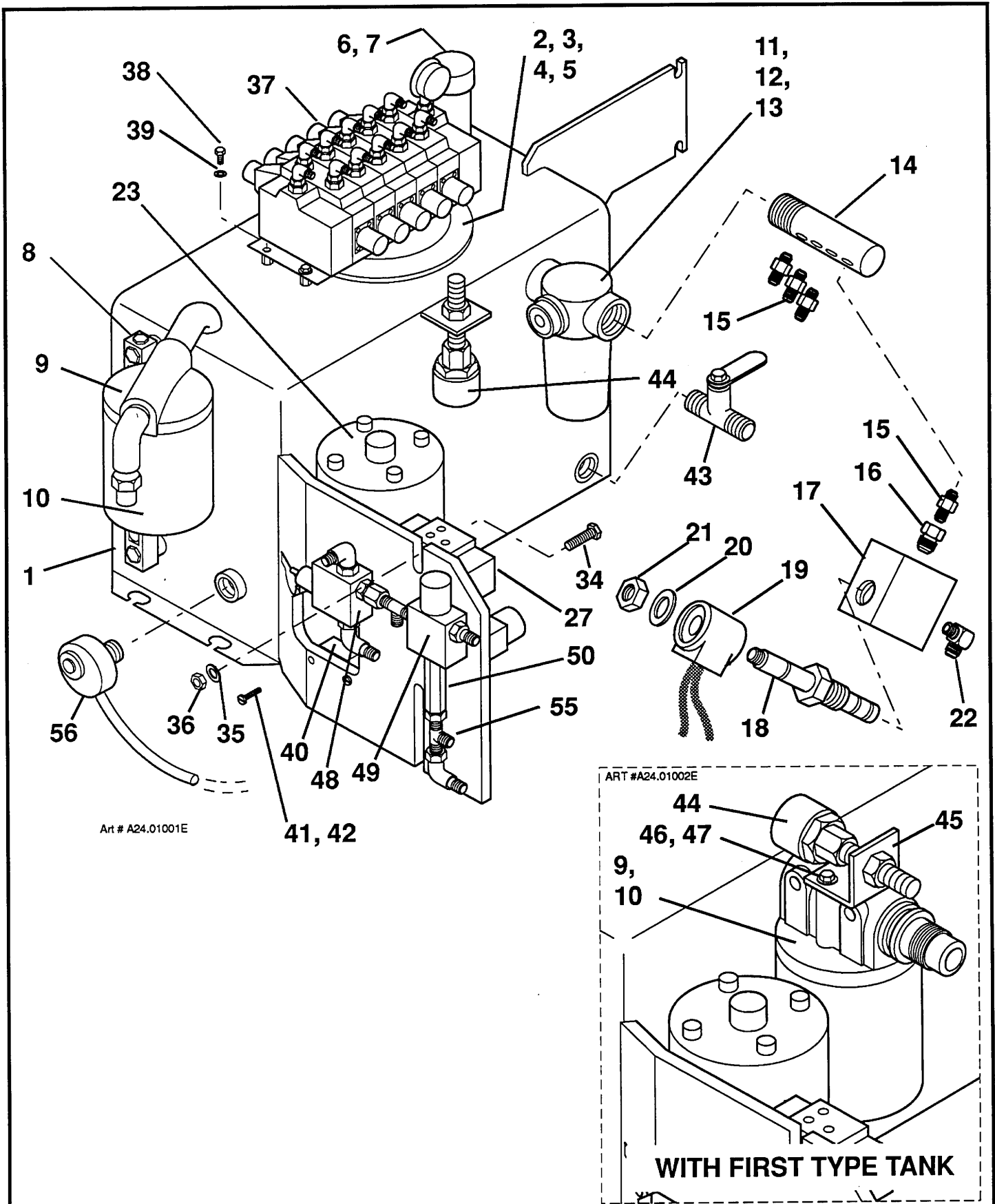
24.01

**SIMON AERIALS INC.**

REV. 16 AUG., 1994  
THIS SHEET ONLY

PART NO.

3515540



Art # A24.01001E

ART #A24.01002E

WITH FIRST TYPE TANK

TITLE		HYDRAULIC TANK ASSEMBLY (PLATE 1 OF 2)		
SIMON AERIALS INC.	REV. 18 AUG., 1993	PART NO.	3515540	PLATE NO. 24.01

## PARTS LIST

ITEM	PART NO	SEE SECTION	DESCRIPTION	QTY.
27	3515570		MANIFOLD VALVE SUBASSEMBLY	1
28	01-086800	23.04	BLOCK ASSEMBLY, HYDRAULIC MANIFOLD (see also Plate 23.48 or 23.49)	1
29	06-039300		ADAPTER, "O"-RING TO 37° (4 F50X-S)	5
30	06-044500		90° ELBOW, STRAIGHT THREAD (6-4 C50X-S)	2
31	06-044600		90° ELBOW, STRAIGHT THREAD (6 C50X-S)	3
32	06-047000		45° ELBOW, STRAIGHT THREAD (6 V50X-S)	2
33	06-094800		PLUG, HEX SOCKET (4 HP50N-S)	2
34	07-008041		CAP SCREW, SOCKET HEAD (5/16"-18 x 3-1/2") (used when studs are not installed)	2
35	07-062015		WASHER, FLAT (5/16")	2
36	07-050015		NUT, LOCK (5/16"-18, Grade 5)	2
37	01-086300	06.07	VALVE BANK, GROUND "Type 1": the brackets mounting the valve bank to the bosses on the tank are "L" shaped.	
	01-098600	06.14	"Type 2": the brackets mounting the valve bank to the bosses on the tank are flat.	
	01-086300	06.07	"Type 3": the brackets mounting the valve bank to the bosses on the tank are flat.	
38	07-003043		CAP SCREW, HEX HEAD (3/8"-16 x 3/4", Grade 5)	4
39	07-065016		WASHER, LOCK (3/8")	4
40	03-463400		TIMER	1
41	07-011345		MACHINE SCREW, PHILLIPS HEAD (#8-32 x 1", Grade 2)	2
42	07-050009		NUT, STOP (#8-32, Grade 5)	2
43	01-020600		VALVE, BALL (3/4" NPT)	2
44	01-099200		SWITCH, PRESSURE	1
45	2164140		BRACKET, PRESSURE SWITCH MOUNTING	1
46	07-003022		CAP SCREW, HEX HEAD (5/16"-18 x 5/8")	2
47	07-065015		WASHER, LOCK (5/16")	2
48	01-096800		VALVE, BRAKE SEQUENCE	1
49	01-097600		VALVE, THREE WAY	1
50	01-020800		VALVE, BRAKE CHECK	1
51	03-468000		HARNESS, HYDRAULIC CONTROL VALVE WIRE (earlier)	1
	03-475700		HARNESS, HYDRAULIC CONTROL VALVE WIRE (later)	1
52	06-044400		90° ELBOW, STRAIGHT THREAD (4-6 C50X-S)	1
53	06-191900		ADAPTER, "O"-RING TO 37° (6-4 F50X-S)	1
54	06-079000		ADAPTER, SWIVEL NUT (6 F65X-S)	1
55			RUN TEE, WHEEL BRAKE	
	2173730		modified 6 R50X-S with .021" orifice	1
	2184730		modified 6 R50X-S with .050" orifice	1
56	03-457300		HEATER, HYDRAULIC TANK (120 Volt AC, 1000 W) (option)	1

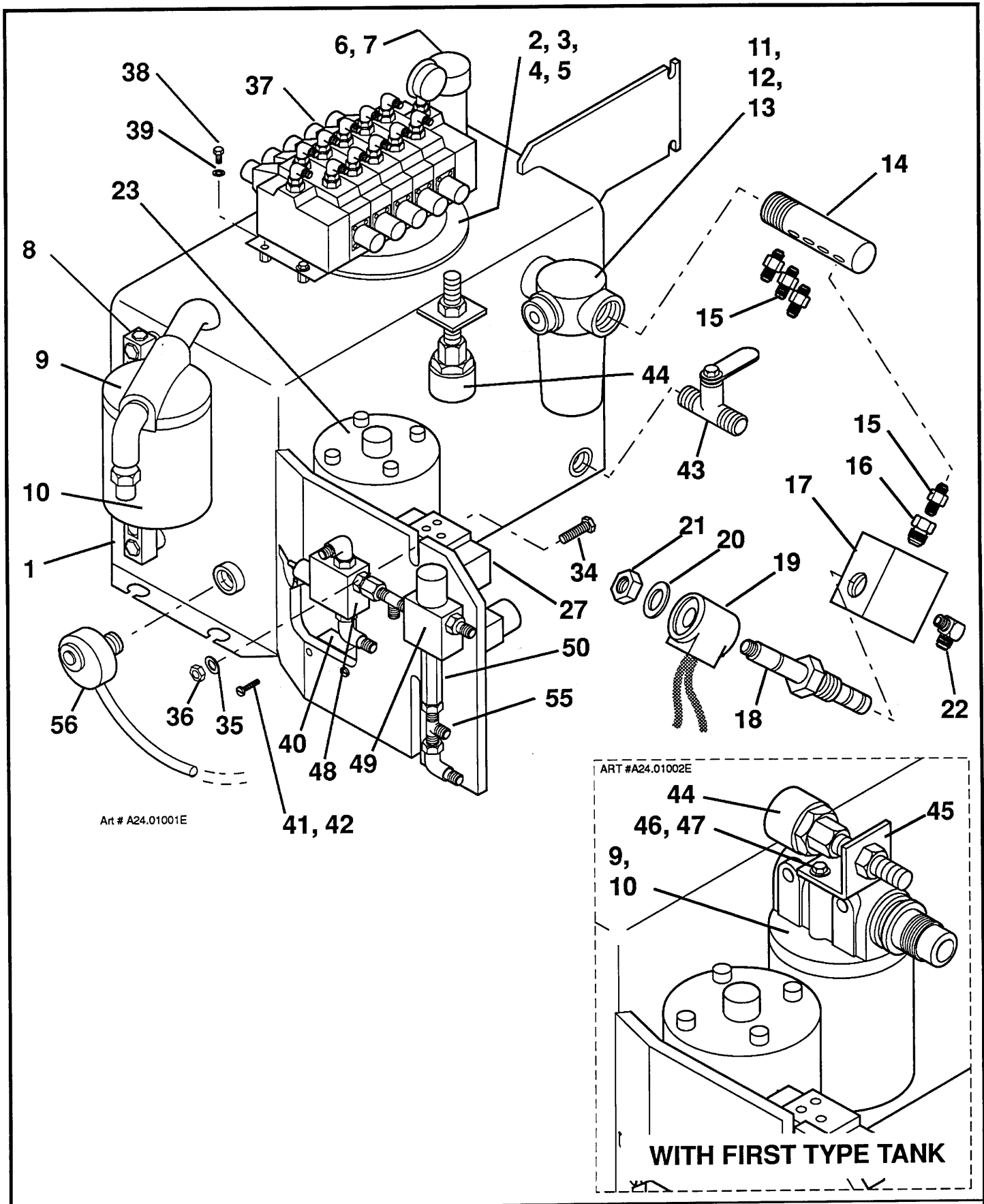
TITLE HYDRAULIC TANK ASSEMBLY (PLATE 2 OF 2)

PLATE NO. 24.01

**SIMON AERIALS INC.**

REV. 18 AUG., 1993

PART NO. 3515540



TITLE

HYDRAULIC TANK ASSEMBLY (PLATE 2 OF 2)

**SIMON AERIALS INC.**

REV. 18 AUG., 1993

PART NO.

3515540

PLATE NO.

24.01

## PARTS LIST

ITEM	PART NO	SEE SECT.	DESCRIPTION	QTY.
1	01-086601		SEAL KIT <b>Note:</b> Items in kit identified by asterisk (*).	1
2			HOUSING	1
3			PISTON ASSEMBLY	1
4			PISTON	1
5			RING, PISTON	2
6	*		O-RING	2
7			PLUG, EXPANSION	1
8			SPRING, SERVO	1
9			STOP, MINIMUM DISPLACEMENT	1
10	*		GASKET	1
11			COVER, SERVO (Top)	1
12			COVER, SERVO (Bottom)	1
13			STOP, SERVO	1
14			NUT, SPECIAL	1
15			PLUG (Plastic)	1
16			PLUG (Plastic)	1
17			SCREW, HEX HEAD (Grade 8)	8
18			WASHER	8
19	*		SEAL, SHAFT	1
20			PLUG, STRAIGHT THREAD	2
21	*		GASKET	1
22			BEARING, NEEDLE	1
23			PLATE, MOTOR VALVE	1
24			BLOCK ASSEMBLY, CYLINDER	1
25			BLOCK, CYLINDER	1
26			WASHER	1
27			SPRING	1
28			WASHER	1
29			RING, RETAINING	1
30			PIN, SLIPPER HOLD DOWN	3
31			RETAINER	1
32			GUIDE, RETAINER	1
33			GUIDE, SLIPPER	1
34			PISTON ASSEMBLY	7
35			SHAFT, MOTOR	1
36			SWASHPLATE	1
37			JOURNAL, BEARING	2
38			PIN, STRAIGHT (Headless)	1
39			BEARING, SLEEVE	1

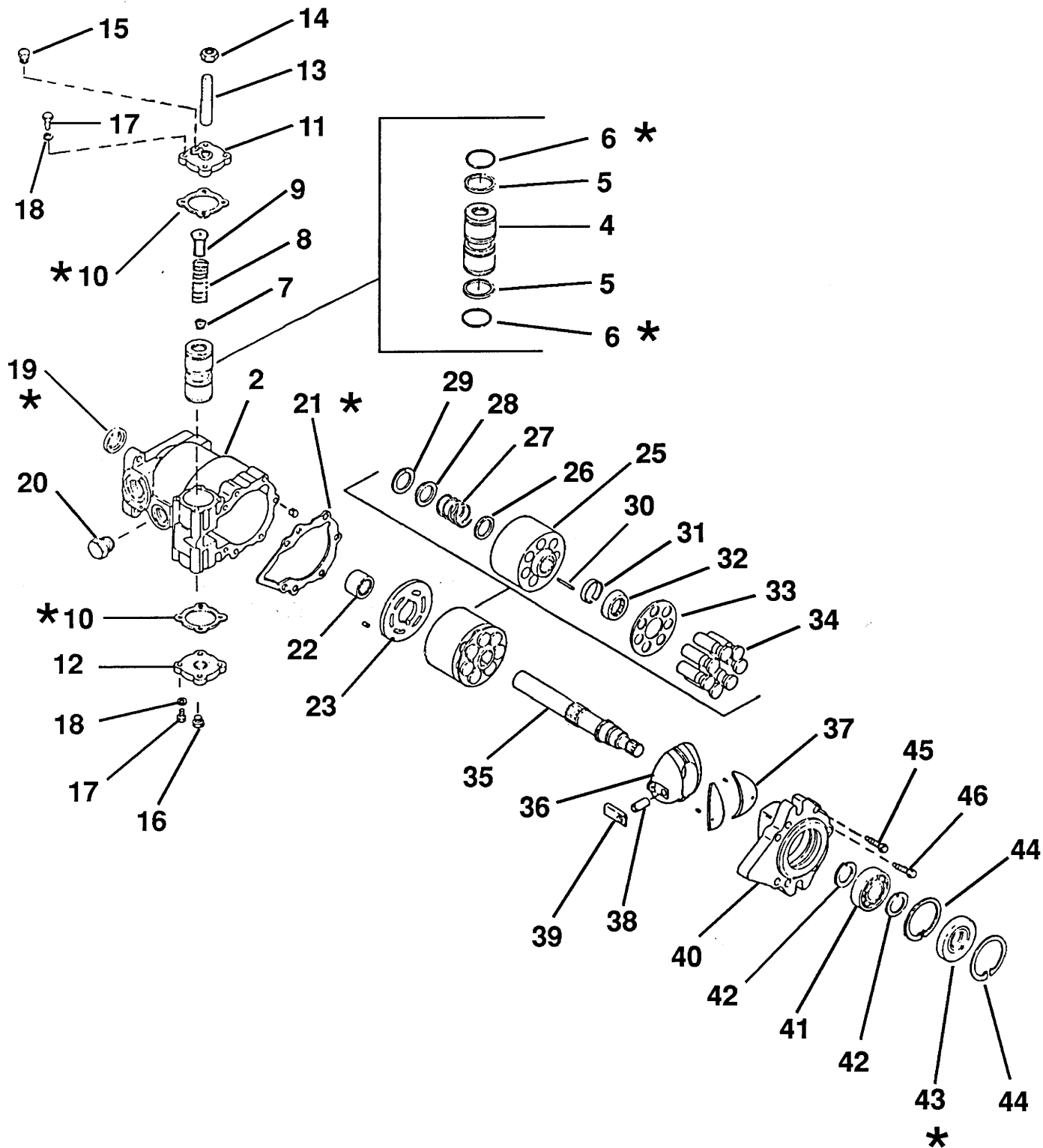
TITLE HYDRAULIC MOTOR (PLATE 1 OF 2)

PLATE NO. 26.02

**SIMON AERIALS INC.**

REV. 19 AUG., 1993

PART NO. 01-086600



TITLE

HYDRAULIC MOTOR (PLATE 1 OF 2)

**SIMON AERIALS INC.**

REV. 19 AUG., 1993

PART NO. 01-086600

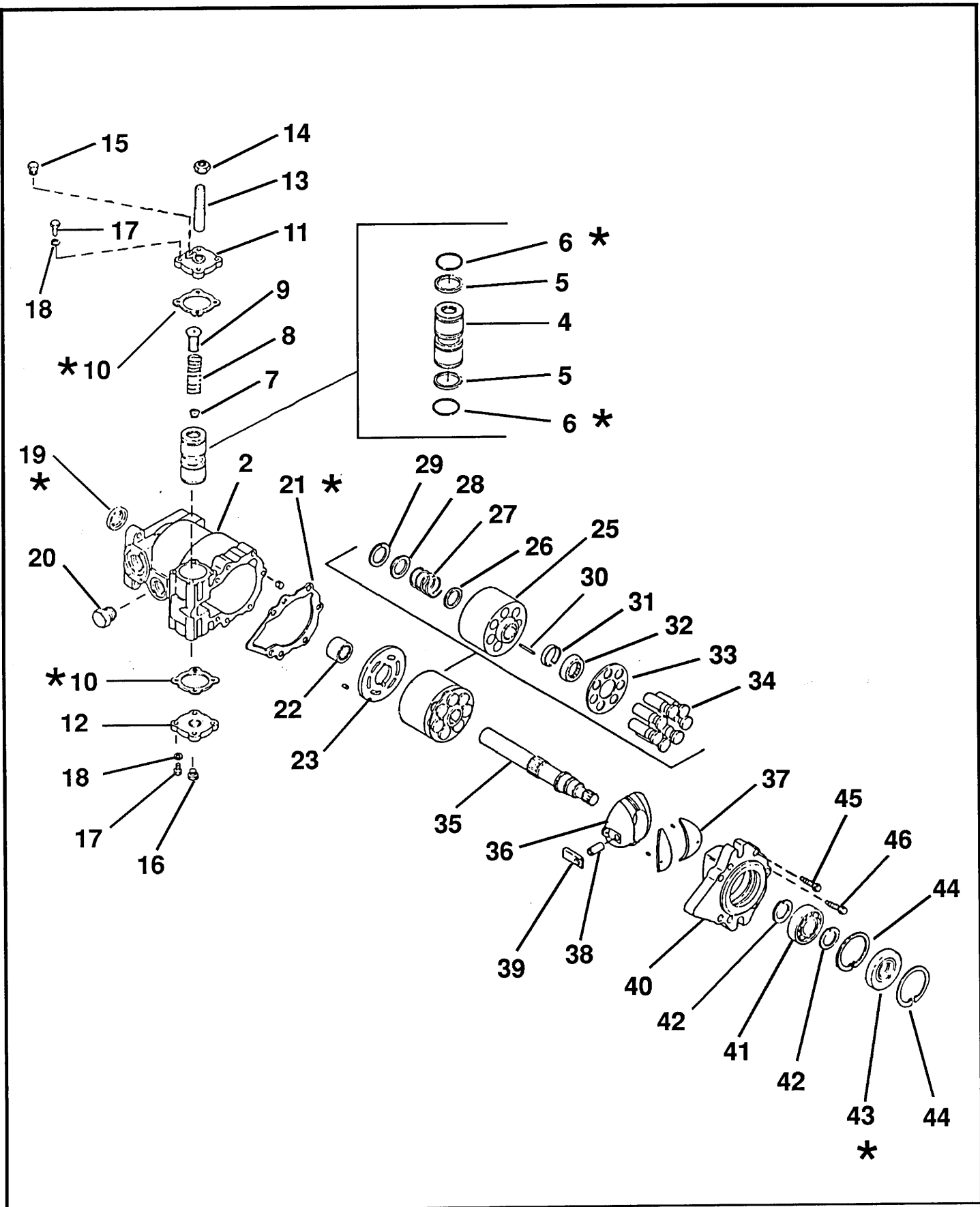
PLATE NO. 26.02

**PARTS LIST**

ITEM	PART NO	SEE SECT.	DESCRIPTION	QTY.
40			COVER, FRONT	1
41			BEARING, BALL	1
42			RING, RETAINING	2
43	*		SEAL, LIP	1
44			RING, RETAINING	2
45			SCREW, 12 POINT HEAD	6
46			SCREW	1

TITLE HYDRAULIC MOTOR (PLATE 2 OF 2)

PLATE NO. 26.02	<b>SIMON AERIALS INC.</b>	REV. 19 AUG., 1993	PART NO. 01-086600
-----------------	---------------------------	--------------------	--------------------



TITLE

HYDRAULIC MOTOR (PLATE 2 OF 2)

**SIMON AERIALS INC.**

REV. 19 AUG., 1993

PART NO.

01-086600

PLATE NO.

26.02



## PARTS LIST

ITEM	PART NO	SEE SECT.	DESCRIPTION	QTY.
1	01-086601		SEAL KIT <b>Note:</b> Items in kit identified by asterisk (*).	1
2			HOUSING	1
3			PISTON ASSEMBLY	1
4			PISTON	1
5			RING, PISTON	2
6	*		O-RING	2
7			PLUG, EXPANSION	1
8			SPRING, SERVO	1
9	01-088601		STOP, MINIMUM DISPLACEMENT	1
10	*		GASKET	1
11			COVER, SERVO (Top)	1
12			COVER, SERVO (Bottom)	1
13			STOP, SERVO	1
14			NUT, SPECIAL	1
15			PLUG (Plastic)	1
16			PLUG (Plastic)	1
17			SCREW, HEX HEAD (Grade 8)	8
18			WASHER	8
19	*		SEAL, SHAFT	1
20			PLUG, STRAIGHT THREAD	2
21	*		GASKET	1
22			BEARING, NEEDLE	1
23			PLATE, MOTOR VALVE	1
24			BLOCK ASSEMBLY, CYLINDER	1
25			BLOCK, CYLINDER	1
26			WASHER	1
27			SPRING	1
28			WASHER	1
29			RING, RETAINING	1
30			PIN, SLIPPER HOLD DOWN	3
31			RETAINER	1
32			GUIDE, RETAINER	1
33			GUIDE, SLIPPER	1
34			PISTON ASSEMBLY	7
35			SHAFT, MOTOR	1
36			SWASHPLATE	1
37			JOURNAL, BEARING	2
38			PIN, STRAIGHT (Headless)	1
39			BEARING, SLEEVE	1

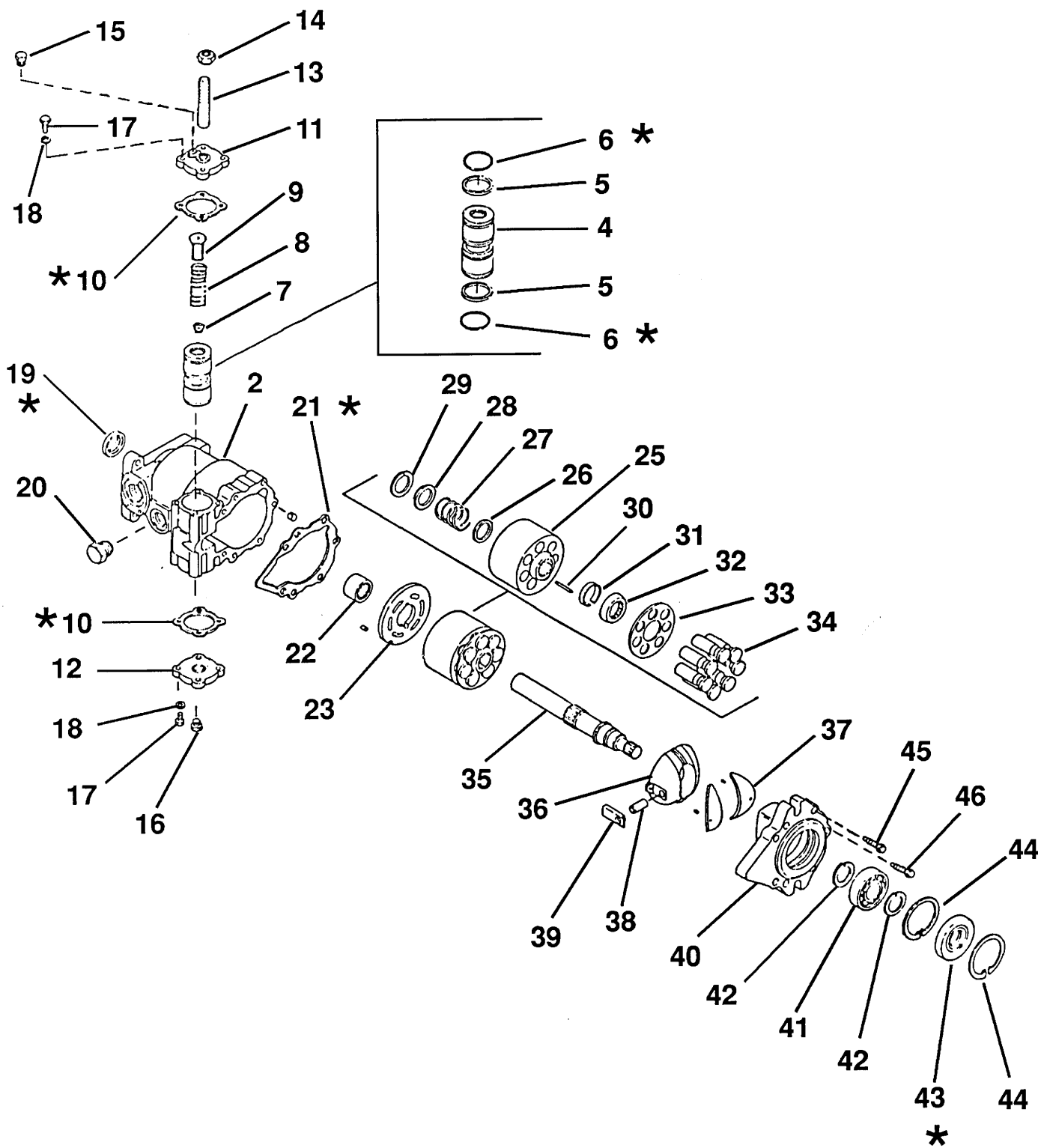
TITLE HYDRAULIC MOTOR (PLATE 1 OF 2)

PLATE NO. 26.03

**SIMON AERIALS INC.**

REV. 19 AUG., 1993

PART NO. 01-088600



TITLE

HYDRAULIC MOTOR (PLATE 1 OF 2)

**SIMON AERIALS INC.**

REV. 19 AUG., 1993

PART NO.

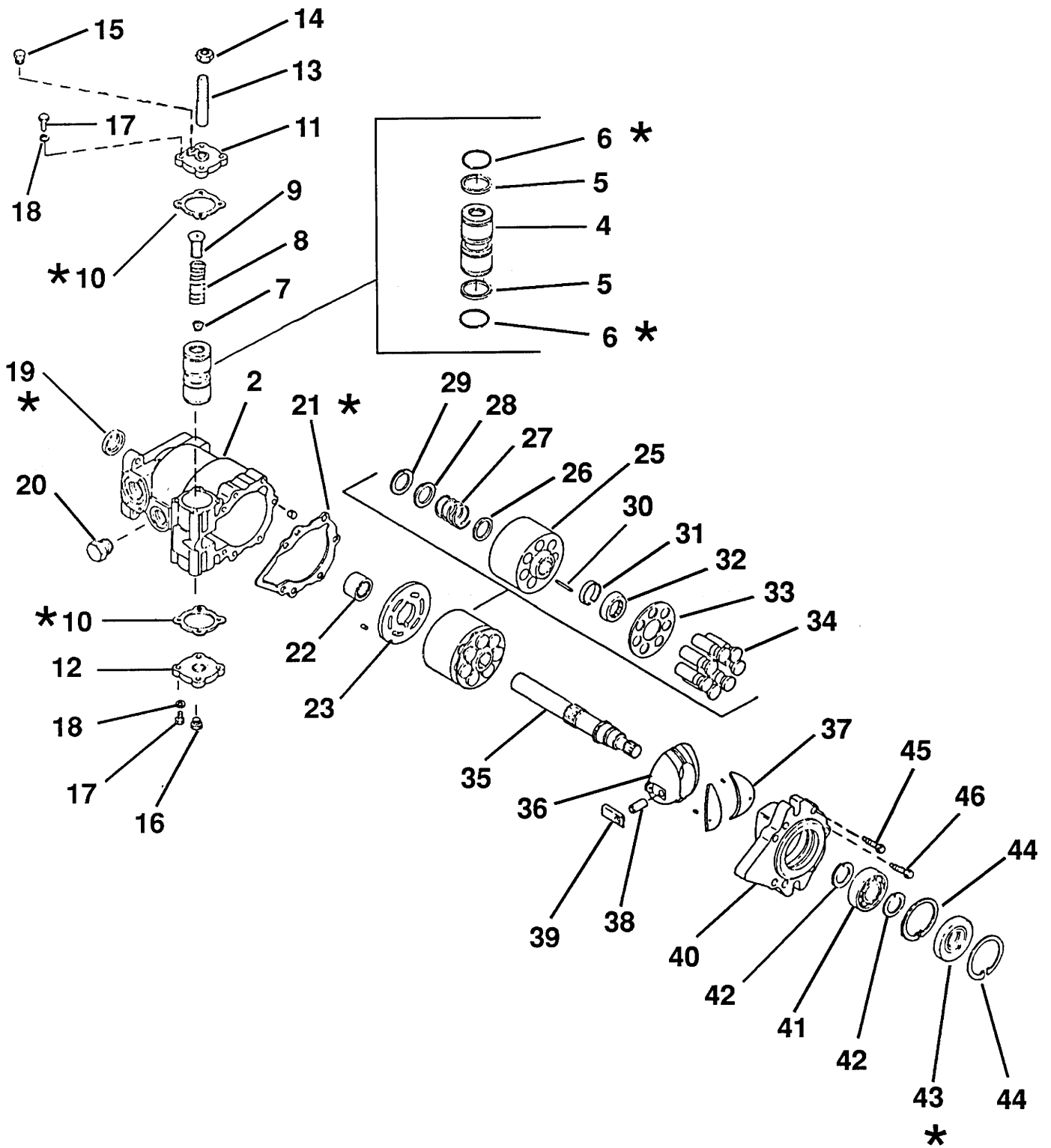
01-088600

PLATE NO.

26.03

**PARTS LIST**

ITEM	PART NO	SEE SECT.	DESCRIPTION	QTY.
40			COVER, FRONT	1
41			BEARING, BALL	1
42			RING, RETAINING	2
43	*		SEAL, LIP	1
44			RING, RETAINING	2
45			SCREW, 12 POINT HEAD	6
46			SCREW	1



TITLE

HYDRAULIC MOTOR (PLATE 2 OF 2)

**SIMON AERIALS INC.**

REV. 19 AUG., 1993

PART NO.

01-088600

PLATE NO.

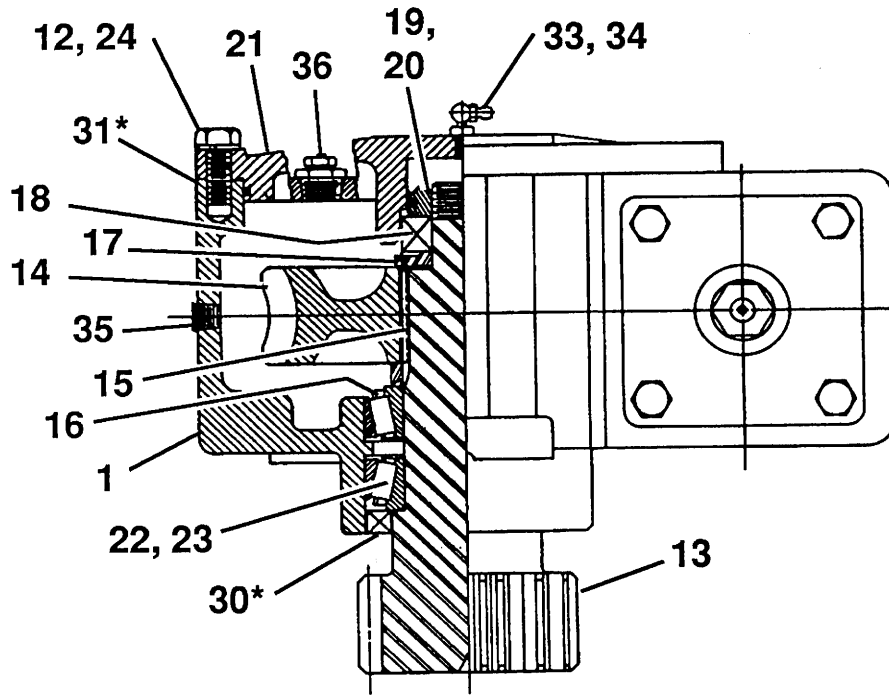
26.03

## PARTS LIST

ITEM	PART NO	SEE SECTION	DESCRIPTION	QTY.
1			HOUSING, SWING REDUCER	1
2	02-022104		SHAFT, WORM	1
3	02-000423		CONE AND ROLLER, INPUT BEARING [1-5/8" (41mm) bore]	1
4	02-000402		CUP, INPUT BEARING [3-1/4" (83 mm) O.D.]	1
5	02-022106		RETAINER, INPUT BEARING	1
6			CAP SCREW, HEX HEAD (1/2"-13 x 1-1/4")	2
7			WASHER, FLAT (1/2")	2
8	02-000421		CONE AND ROLLER, BEARING [1" (25 mm) bore]	1
9	02-000434		CUP, BEARING [2-9/16" (65 mm) O.D.]	1
10	02-022103		RETAINER, BEARING	1
11			CAP SCREW, HEX HEAD (3/8"-16 x 1-1/4")	4
12			WASHER, HELICAL LOCK (3/8")	10
13	02-023501		SHAFT, OUTPUT	1
14	02-022102		GEAR, WORM	1
15			KEY	1
16	02-022107		SPACER	1
17	02-022105		SPACER	1
18	02-022116		BEARING, BALL	1
19	02-022109		NUT, CASTLE	1
20	02-022118		PIN, COTTER (1/8" x 1-1/2")	1
21	02-023503		COVER, SWING REDUCER	1
22	02-022114		CONE AND ROLLER, BEARING	2
23	02-022115		CUP, BEARING	2
24			CAP SCREW, HEX HEAD (3/8"-16 x 1")	6
25	02-022101		SEAL KIT, SWING REDUCER	1
26			GASKET, BEARING RETAINER [1/64" (0.4 mm)] (1 in kit)	A.R.
			GASKET, BEARING RETAINER [1/32" (0.8 mm)] (3 in kit)	A.R.
27	02-023502		GASKET, MOTOR MOUNTING [1/32" (0.8 mm)]	2
28	02-000431		SEAL, WORM SHAFT [1" (25 mm) I.D.]	1
29			"O"-RING, BEARING RETAINER	1
30			SEAL, OUTPUT SHAFT	1
31			"O"-RING, COVER	1
32			"O"-RING, BEARING RETAINER	1
33	02-022120		BUSHING, REDUCER (3/8" to 1/8")	1
34			FITTING, GREASE (1/4"-28, 90°)	1
35			PLUG, HEX SOCKET (3/8"-18)	1
36	02-022117		PLUG, VENT	1

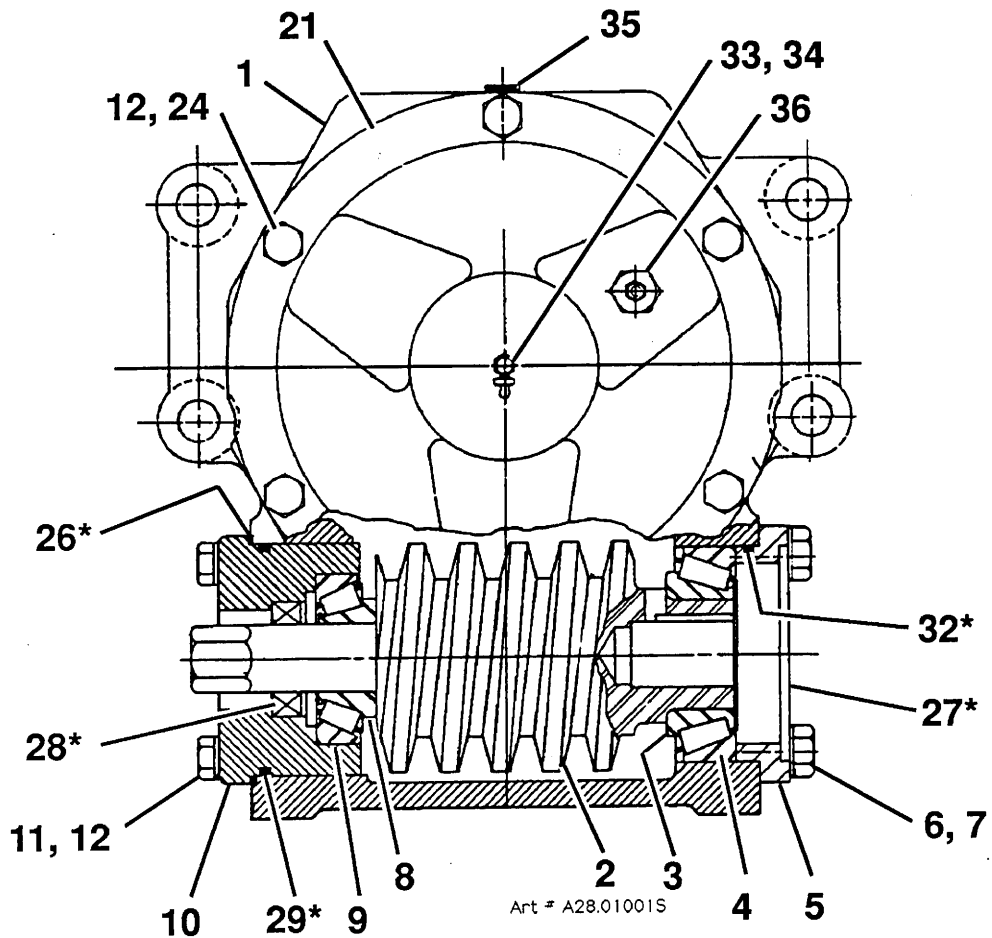
TITLE SWING REDUCER ASSEMBLY

PLATE NO. **28.02** **SIMON AERIALS INC.** REV. 23 AUG., 1993 PART NO. **02-023500**



Art # A28.01002S

Cutaway view in direction of Arrow "A"



Art # A28.01001S

TITLE

SWING REDUCER ASSEMBLY

SIMON AERIALS INC.

REV. 23 AUG., 1993

PART NO.

02-023500

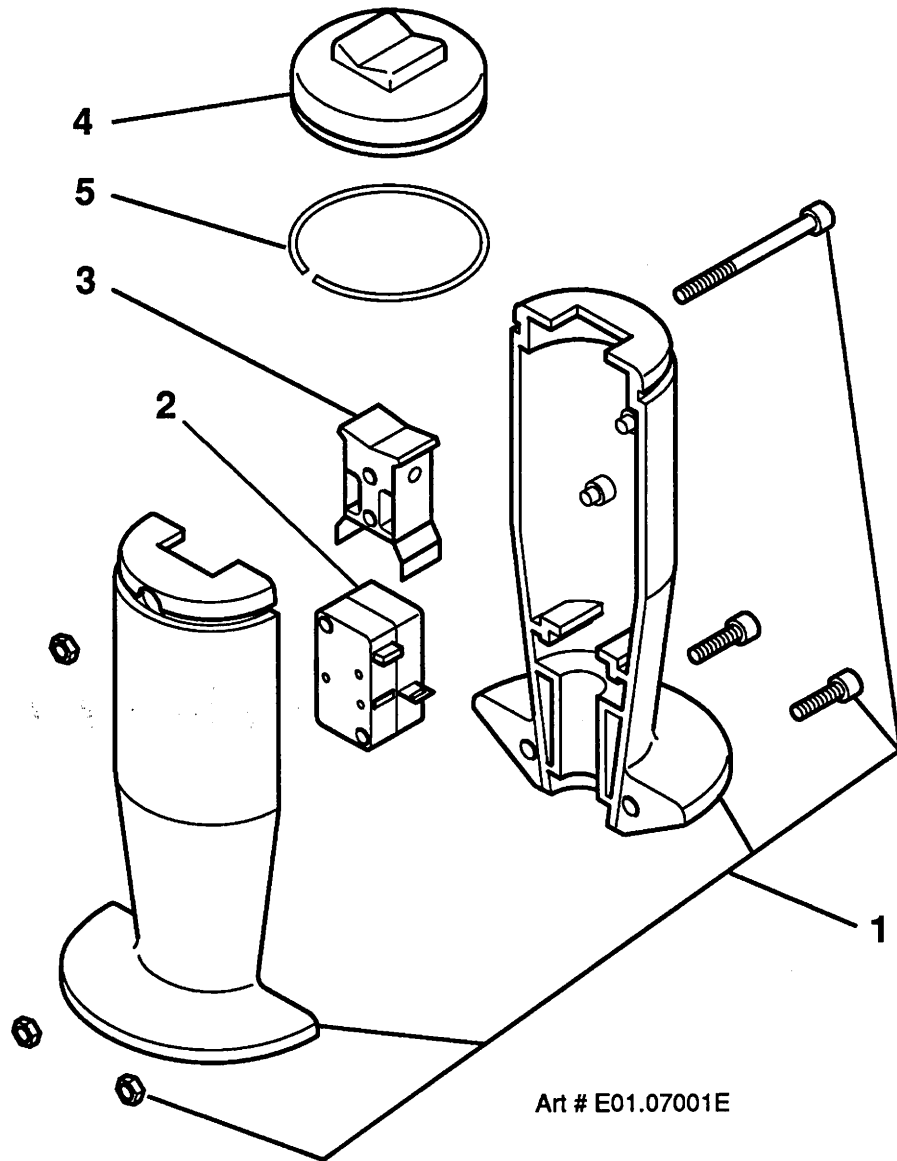
PLATE NO.

28.02

# PARTS LIST

ITEM	PART NO	SEE SECTION	DESCRIPTION	QTY.
1	03-402205		HANDLE (includes two halves, screws and nuts)	1
2	03-402204		SWITCH, DRIVE HANDLE (steer switch)	1
3	03-402203		ACTUATOR, DRIVE HANDLE SWITCH (rocker)	1
4	03-402202		BOOT, SWITCH ACTUATOR	1
5	03-402201		RING, BOOT RETAINING	1

TITLE		DRIVE CONTROL HANDLE ASSEMBLY	
PLATE NO.	29.04	SIMON AERIALS INC.	NEW 09/11/91
		PART NO.	03-402200



Art # E01.07001E

TITLE

DRIVE CONTROL HANDLE ASSEMBLY

**SIMON AERIALS INC.**

NEW 09/11/91

PART  
NO.

03-402200

PLATE  
NO.

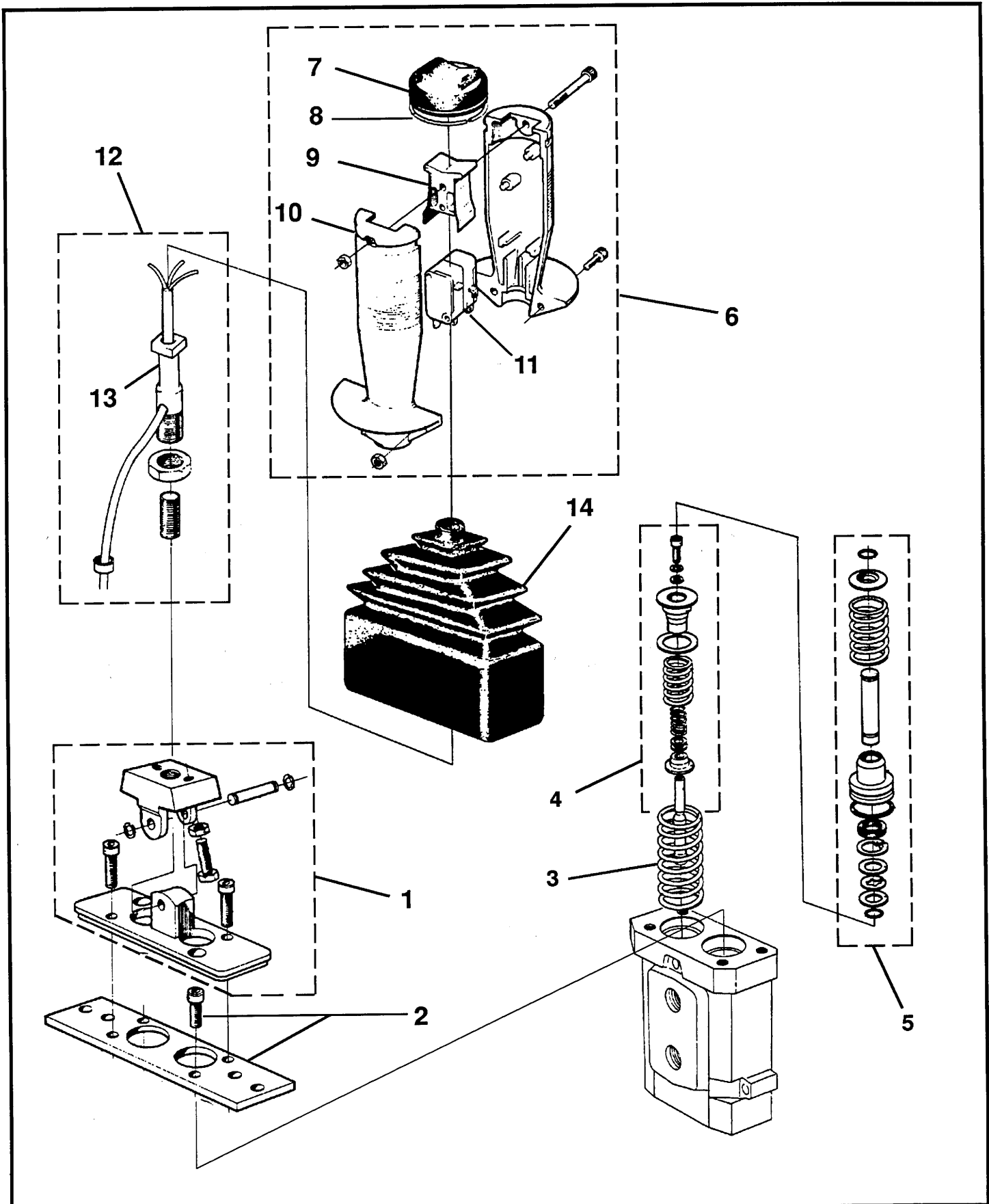
29.04



**PARTS LIST**

ITEM	PART NO	SEE SECTION	DESCRIPTION	QTY.
1	01-083401		PRESSURE PLATE ASSEMBLY, VALVE	1
2	01-083402		MOUNTING PLATE ASSEMBLY, VALVE	1
3	01-083403		SPRING, VALVE RETURN	2
4	01-083404		PIN KIT, VALVE PRESSURE	2
5	01-083405		PIN SET, PRESSURE	2
6	03-402200	29.04	HANDLE ASSEMBLY, DRIVE CONTROL	1
7	03-402202		BOOT, DRIVE HANDLE SWITCH ACTUATOR	1
8	03-402201		RING, ACTUATOR BOOT RETAINING	1
9	03-402203		ACTUATOR, DRIVE HANDLE SWITCH (rocker)	1
10	03-402205		HANDLE, VALVE (includes two halves, screws and nuts)	1
11	03-402204		SWITCH, DRIVE HANDLE	2
12	01-083406		SHAFT ASSEMBLY, DRIVE CONTROL (includes shaft, stud, nut <b>and</b> wiring)	1
13	2311450		SHAFT, HANDLE (includes shaft, stud and nut, <b>without</b> wiring)	1
14	01-083407		BOOT, VALVE	1

TITLE		VALVE, DRIVE CONTROLLER		
PLATE NO.	29.05	SIMON AERIALS INC.	REV. 23 AUG., 1993	PART NO. 01-083400



TITLE

VALVE, DRIVE CONTROLLER

**SIMON AERIALS INC.**

REV. 23 AUG., 1993

PART NO.

01-083400

PLATE NO.

29.05

## PARTS LIST

ITEM	PART NO	SEE SECTION	DESCRIPTION	QTY.
1	03-463100		GENERATOR, BELT DRIVE (120 Volt AC, 2000 Watt)	1
2	2165200		PULLEY (5/8" bore, modified)	1
3	07-023021		SET SCREW, SOCKET HEAD (5/16"-18 x 1/2", Grade 5)	1
4	07-003045		CAP SCREW, HEX HEAD (3/8"-16 x 1", Grade 5)	4
5	07-062016		WASHER, FLAT (3/8")	4
6	07-050016		LOCK NUT, TOP (3/8", Grade 5)	4
7	2164410		BRACKET, GENERATOR MOUNTING	1
8	2164720		ARM, TENSION	1
9	07-003044		CAP SCREW, HEX HEAD (3/8"-16 x 7/8", Grade 5)	4
10	07-065016		WASHER, HELICAL LOCK (3/8")	4
11	2164690		PLATE, GENERATOR MOUNTING (welded to deck plate)	1
12	07-003025		CAP SCREW, HEX HEAD (5/16"-18 x 1", Grade 5)	1
13	07-065015		WASHER, HELICAL LOCK (5/16")	1
14	07-062015		WASHER, FLAT (5/16")	1
15	09-042800		PULLEY (1-1/8" bore)	1
16	10-065900		BELT, VEE [29" (73.6 cm) length]	1
17	2164990		ADAPTER, PUMP (modified 02-022700)	1
18	2165000		SHIELD, HEAT	1

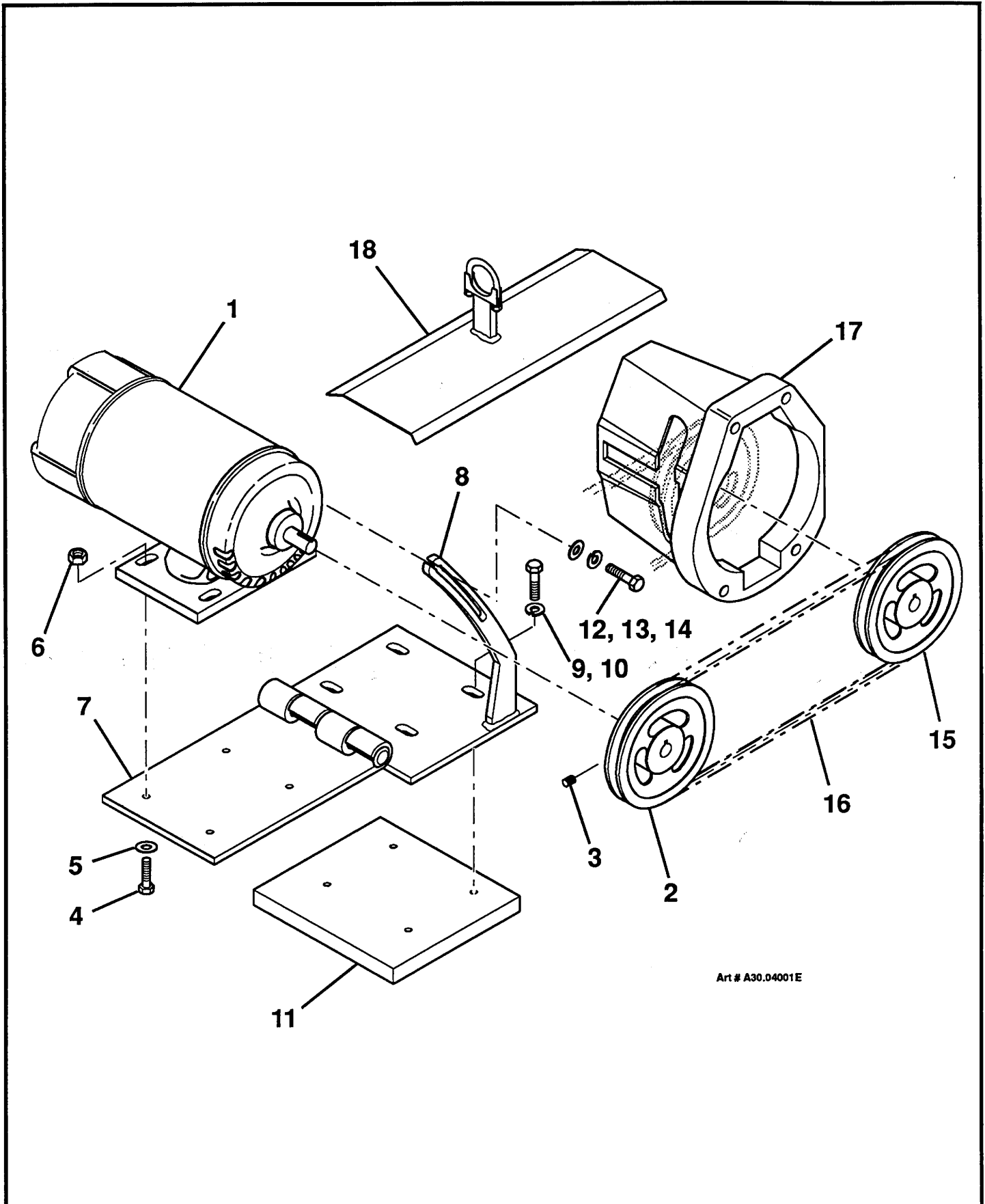
TITLE GENERATOR PACKAGE (FOR ONAN T-260 OR P-224 ENGINE)

PLATE NO. 30.04

**SIMON AERIALS INC.**

NEW 10/21/91

PART NO. 3519490



Art # A30.04001E

TITLE GENERATOR PACKAGE (FOR ONAN T-260 OR P-224 ENGINE)

<b>SIMON AERIALS INC.</b>	NEW 10/21/91	PART NO. 3519490	PLATE NO. 30.04
---------------------------	--------------	------------------	-----------------

## PARTS LIST

ITEM	PART NO	SEE SECTION	DESCRIPTION	QTY.
1	DKAT40C-N		DECAL KIT, CONSTRUCTOR AT 40C (for earlier versions, includes items 2 thru 11)	1
2	10-007200		DECAL, "DISENGAGE LOCK PIN . . ."	3
3	10-007600		DECAL, "120 V. A.C., 20 AMP"	1
4	10-013400		DECAL, "500 LBS (226.4 Kg) . . . CAPACITY"	2
5	10-024500		DECAL, "20 AMP CIRCUIT" (Breaker)	1
6	10-018900		DECAL, "BEWARE" (Potential Hazard)	1
7	10-019000		DECAL, "DANGER" (Electrocution Hazard, small)	1
8	10-084900		DECAL, "DANGER" (Electrocution Hazard, large)	2
9	10-092500		DECAL, OPERATING INSTRUCTIONS	1
10	10-017200		DECAL, "SIMON" NAME [5" (127 mm) high, Black]	1
11	10-109700		DECAL, MODEL NAME "CONSTRUCTOR" (Black)	1
12	10-088800		[Angled type, 2-3/4" (70 mm) high, for earlier versions] DECAL, MODEL "AT 40C" (Black)	1
			[Angled type, 2-3/4" (70 mm) high, for earlier versions]	1
13	10-012200		DECAL, "CAUTION: For Hydraulic Fluid . . . DTE 15"	1
14	10-015200		DECAL, "HYDRAULIC FLUID LEVEL CHECK . . ."	1
15	10-106500		DECAL, "CAUTION: Unlock hubs . . . hard surface"	1
16	10-099700		DECAL, GROUND ELECTRICAL BOX	1
17	10-099600		DECAL, GROUND CONTROL VALVES	1
18	10-099500		DECAL, PLATFORM ELECTRICAL CONTROLS	1
19	10-098700		DECAL, PLATFORM CONTROL VALVES	1
20	10-066000		PLATE, "PLATFORM LOAD 500 LBS (200 KG)"	1
21	10-105900		DECAL, "SIMON" NAME [5" (127 mm) high, White]	2
22	10-083000		DECAL, "SIMON" NAME [4" (102 mm) high, Black]	1
23	10-017100		DECAL, "SIMON" NAME [7" (178 mm) high, Black]	1
24	10-132600		DECAL, MODEL "CONSTRUCTOR" (Black)	1
			[Straight type, 5" (127 mm) high, for later versions]	1
25	10-132800		DECAL, MODEL "AT 40C" (Black)	1
			[Straight type, 5" (127 mm) high, for later versions]	1
26	10-017400		DECAL, STRIPING (Bulk item, order as needed) [Black/ Orange/ Black, 3-1/2" (89 mm) wide, for earlier versions]	A.R.
			[(4) Orange Stripes, 3-3/4" (95 mm) wide, for later versions]	A.R.
27	10-094000		DECAL, STRIPING CORNER (for earlier versions)	2
	10-025100		[Black/ Orange/ Black, for 3-1/2" (89 mm) wide stripe]	2
28	10-131900		DECAL, SIMON "S" LOGO [Orange/ Gray, 9" (229 mm) wide x 13-1/2" (344 mm) high]	2
29	10-121600		DECAL, "MADE IN U.S.A."	2

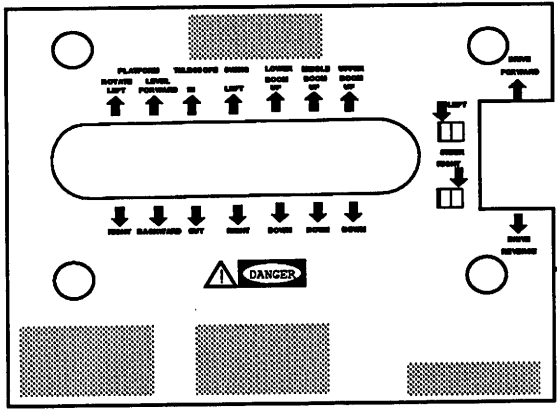
**TITLE** DECALS, AT40C

**PLATE NO.** 99.01

**SIMON AERIALS INC.**

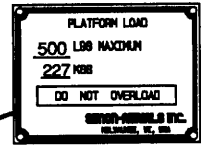
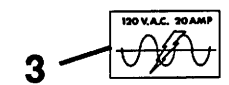
REV. 29 APR., 1992

**PART NO.**



2 — DISENGAGE LOCKPIN BEFORE USING THE TURNTABLE

4 — 500LBS. (227 KG) DO NOT OVERLOAD MAXIMUM PAYLOAD CAPACITY



20

18

10, 22, 23, 24

**SIMON**

**CONSTRUCTOR**

11, 24

**AT 40C**

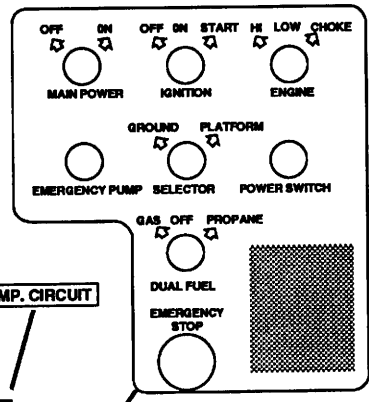
12, 25

DISENGAGE LOCKPIN BEFORE USING THE TURNTABLE

2

500LBS. (227 KG) DO NOT OVERLOAD MAXIMUM PAYLOAD CAPACITY

4



20 AMP. CIRCUIT

5

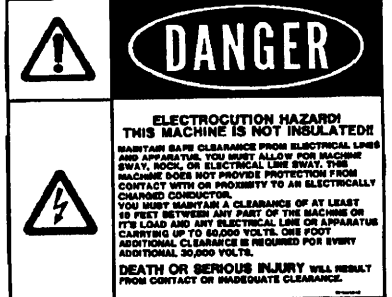
16



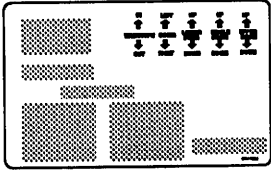
6



7



8



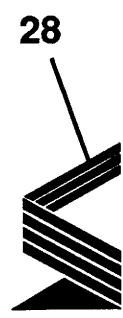
17

CAUTION: FOR HYDRAULIC FLUID USE ONLY CLEAN FRESH MOBIL D.T.E. 'S HYDRAULIC OIL. FILTER ALL OIL BEFORE ADDING.

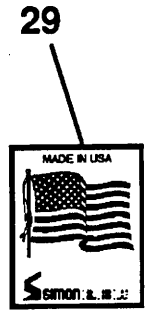
13

HYDRAULIC FLUID LEVEL CHECK  
WITH MACHINE ON A FLAT LEVEL SURFACE, FLUID LEVEL SHOULD BE ABOVE HIGH LINE MARKED ON THE SIGHT GLASS.

14



28



29